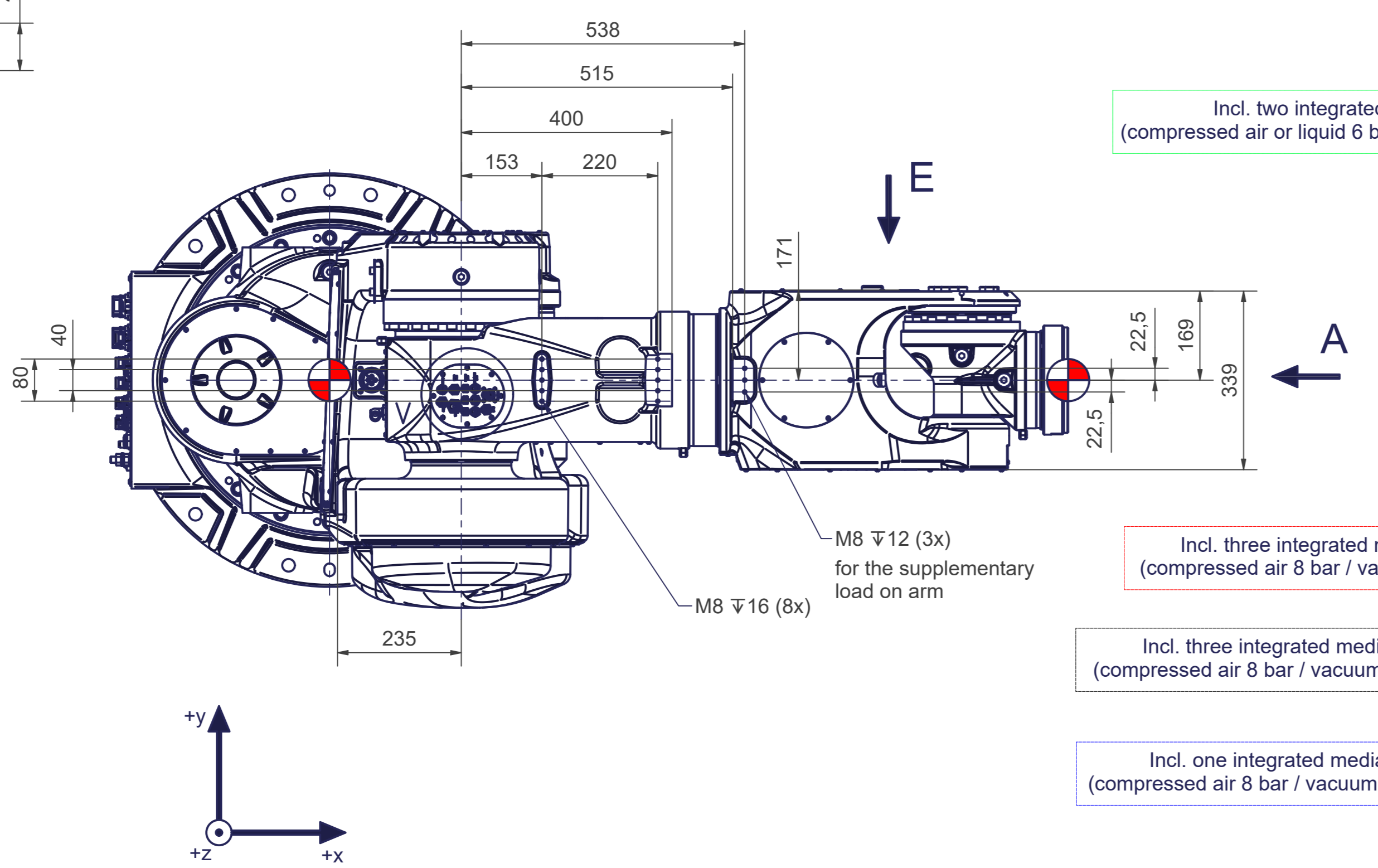


Incl. three integrated media supply to the shoulder (compressed air 8 bar / vacuum -1 bar / D = 4mm d= 2,5mm)

Incl. three integrated media supply to the shoulder (compressed air 8 bar / vacuum -1 bar / D = 6mm d= 4mm)

Incl. one integrated media supply to the shoulder (compressed air 8 bar / vacuum -1 bar / D = 10mm d= 6,5mm)

Incl. two integrated media supply to the shoulder (compressed air or liquid 6 bar / vacuum -1 bar / D = 12mm d= 9mm)

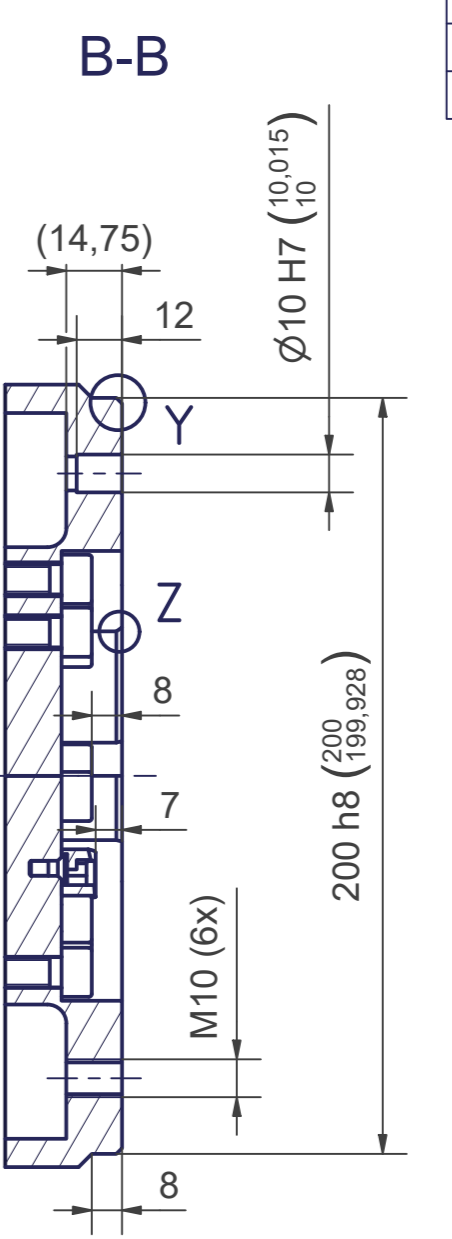
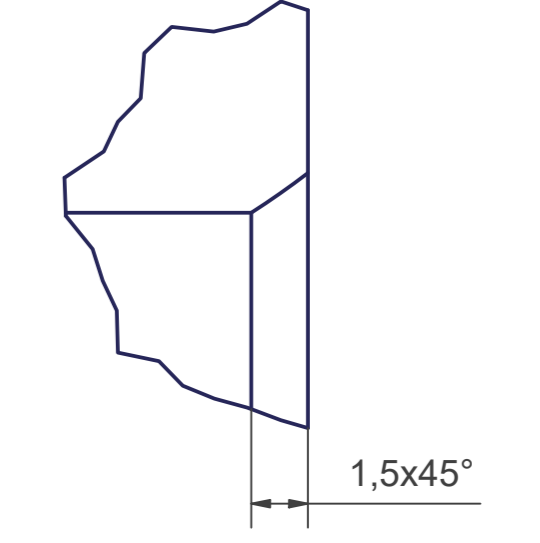
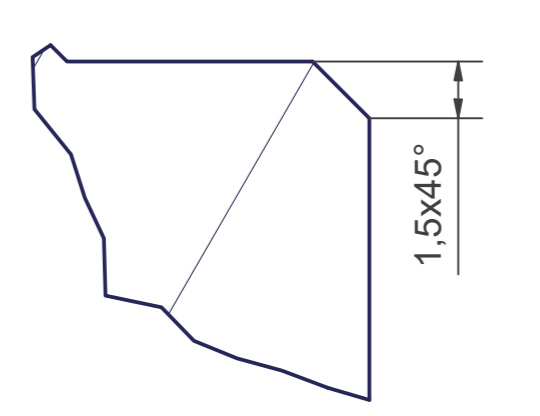
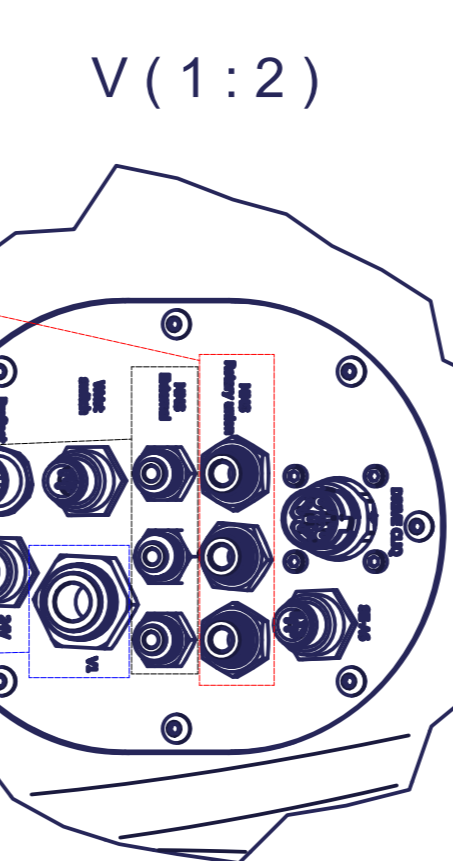
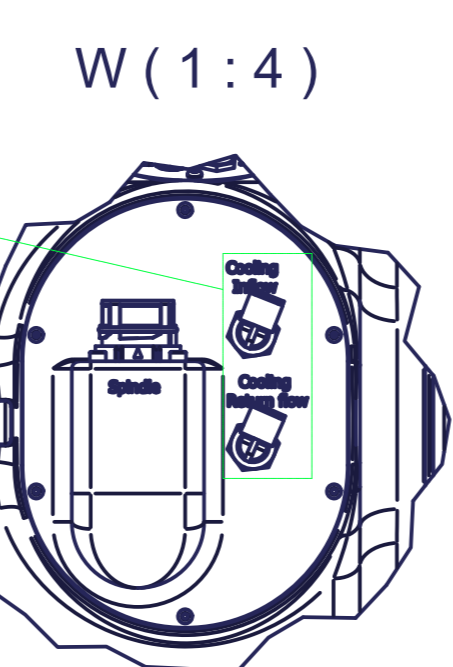


Incl. two integrated media supply to the shoulder (compressed air or liquid 6 bar / vacuum -1 bar / D = 12mm d= 9mm)

Incl. three integrated media supply to the shoulder (compressed air 8 bar / vacuum -1 bar / D = 6mm d= 4mm)

Incl. three integrated media supply to the shoulder (compressed air 8 bar / vacuum -1 bar / D = 4mm d= 2,5mm)

Incl. one integrated media supply to the shoulder (compressed air 8 bar / vacuum -1 bar / D = 10mm d= 6,5mm)



articc.mtr6-2407-150kg	
Axes	6
Payload (on TCP)	150 kg
Supplementary load on arm	50 kg
Reach	2407 mm
Mounting position	Ceiling, Floor

Motion	
Axes	Range fully usable
A1	$\pm 185^\circ$
A2	$-38^\circ / +140^\circ$
A3	$-180^\circ / +65^\circ$
A4	$\pm 250^\circ$
A5	$\pm 120^\circ$
A6	Mechanical endless (*)

(\*) Depending on the tool's media supply. We recommend  $\pm 185^\circ$ , as the secondary encoder cable A6 SE01 is routed through the mechanical structure.

Connecting dimensions, valid for article number: AT\_00044-SE01

