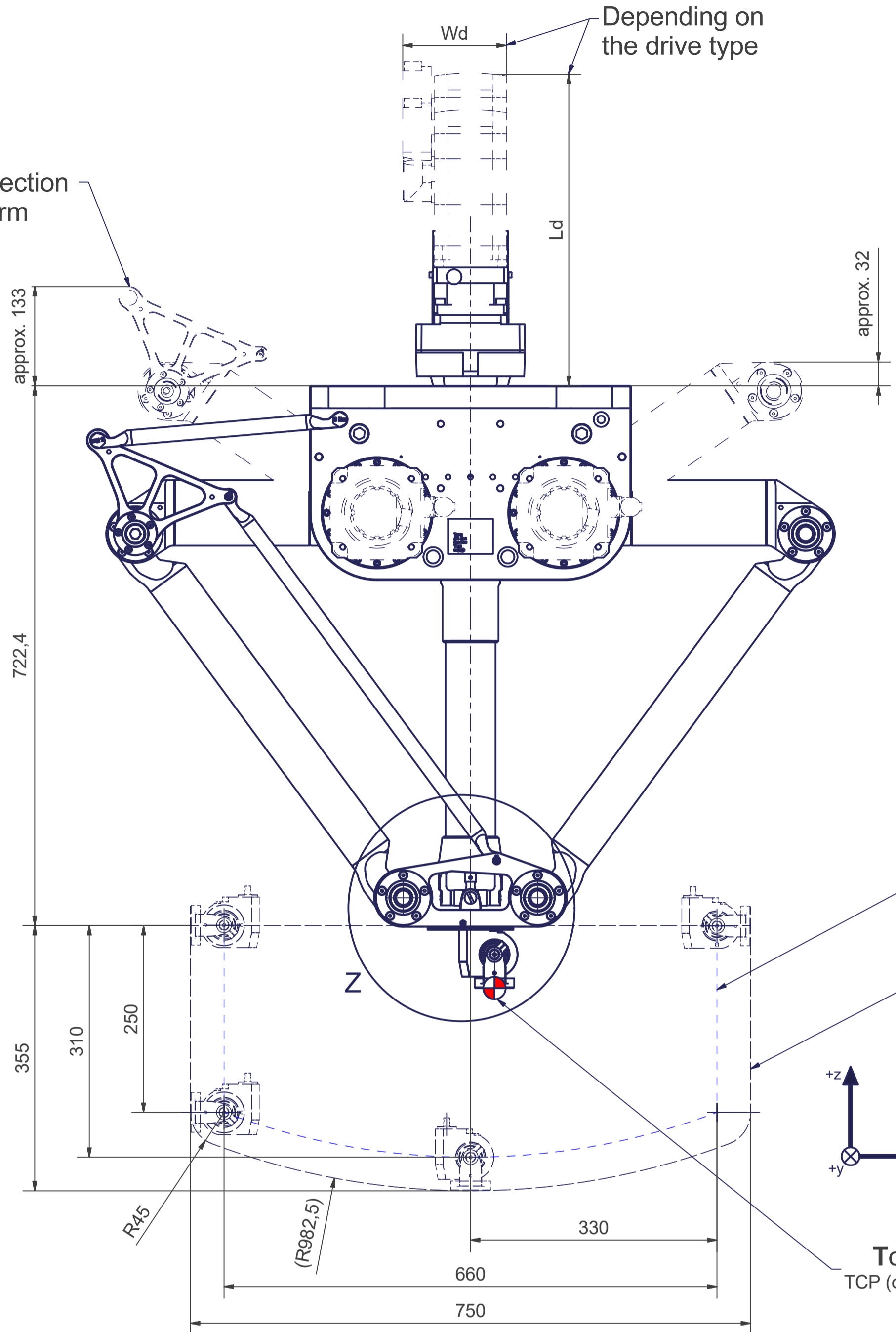
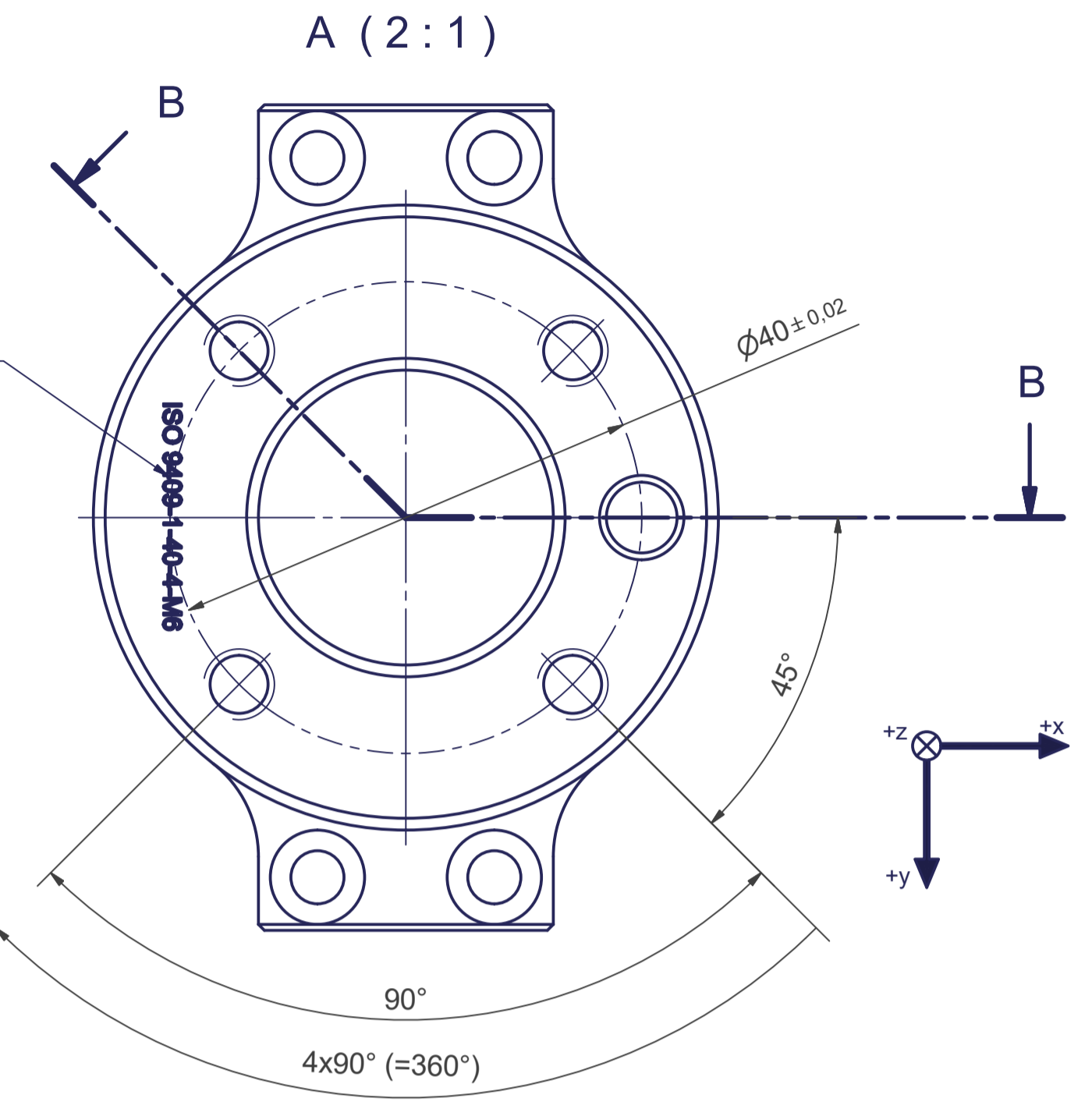


Maximum deflection of the upper arm

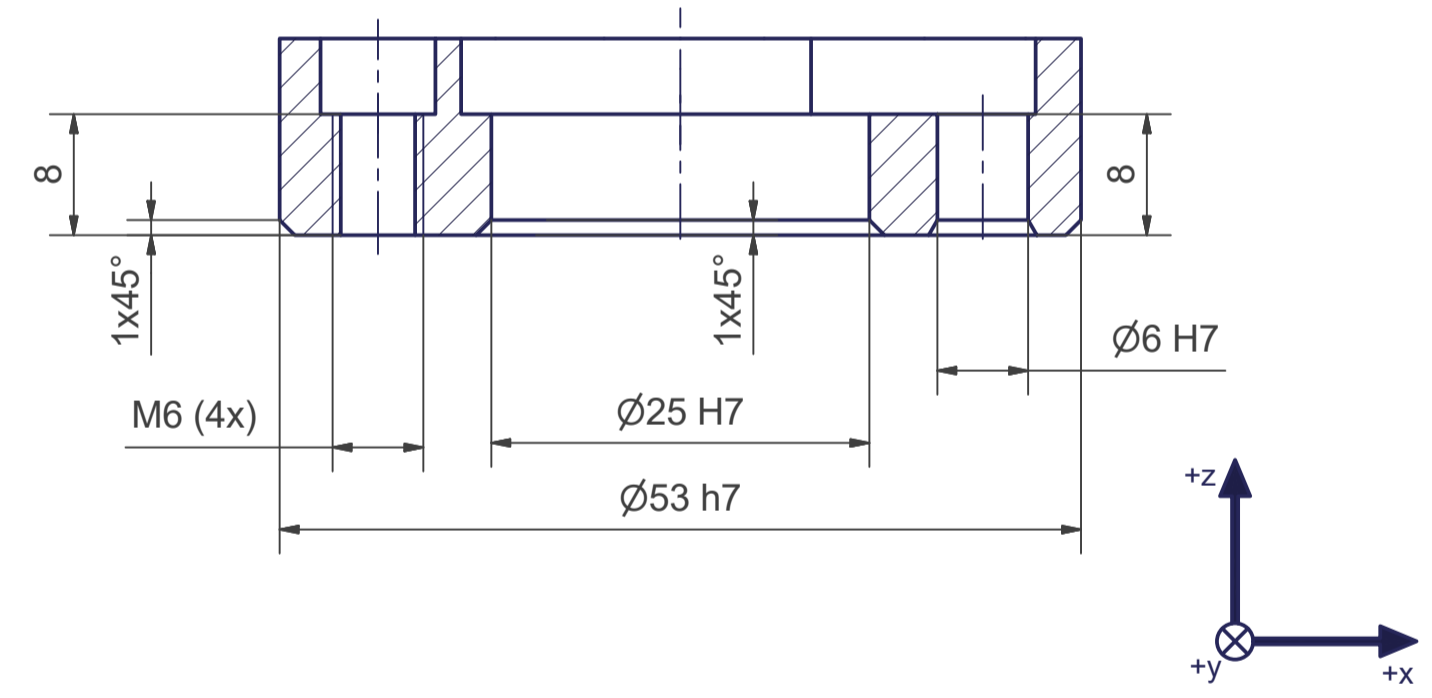
Depending on the drive type



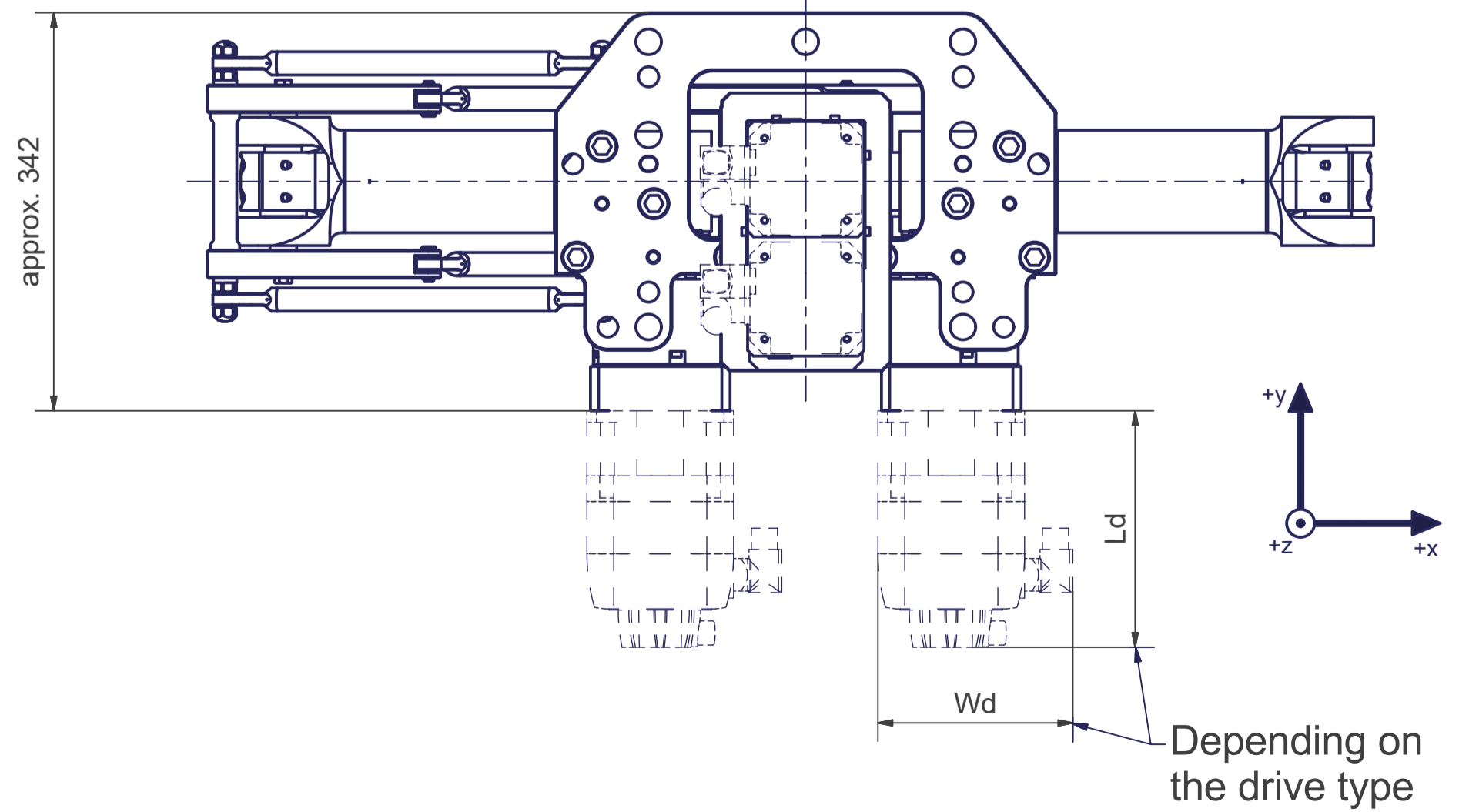
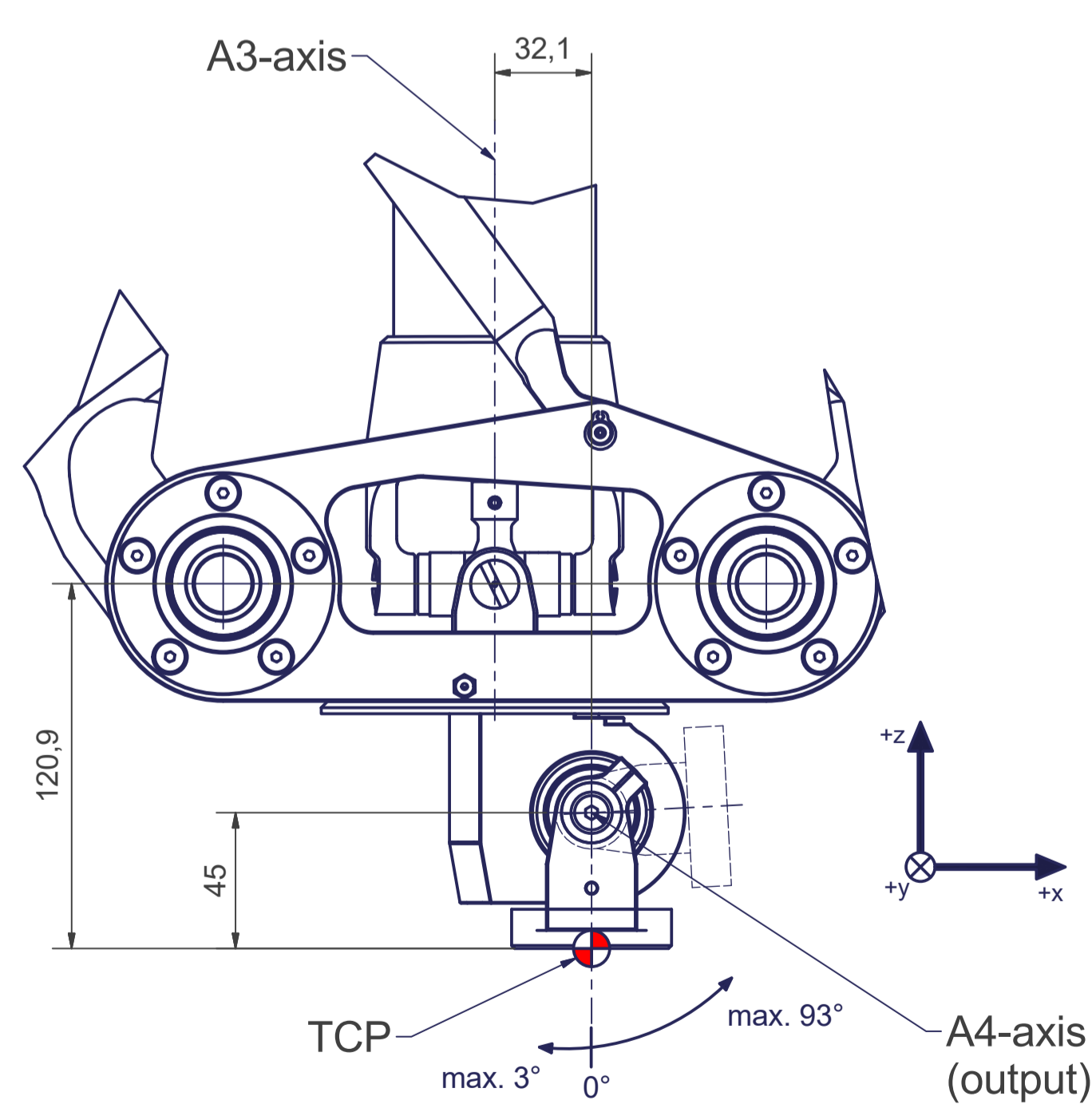
Flange diagram according to ISO 9409-1-40-4-M6



B-B




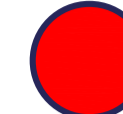

Z (1:2)



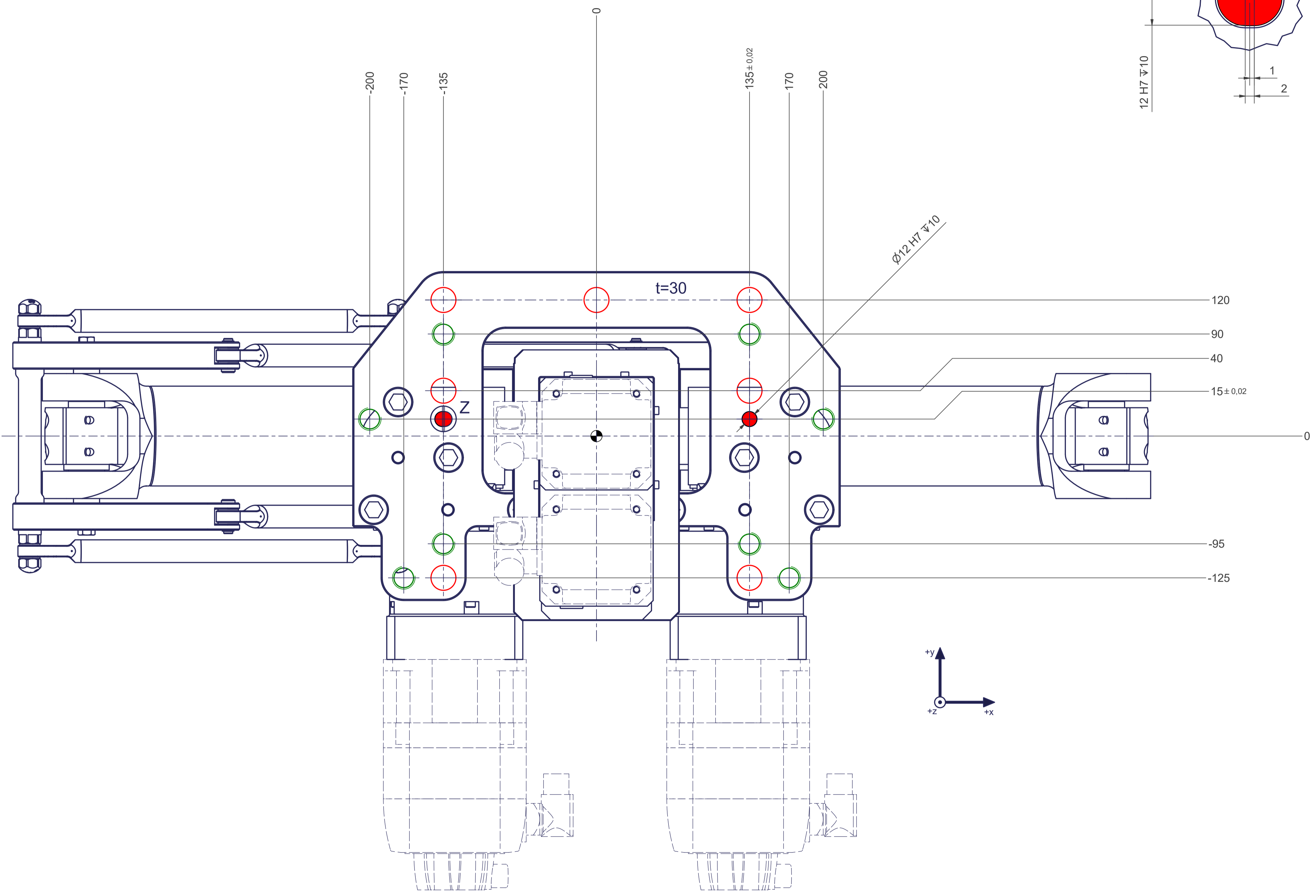
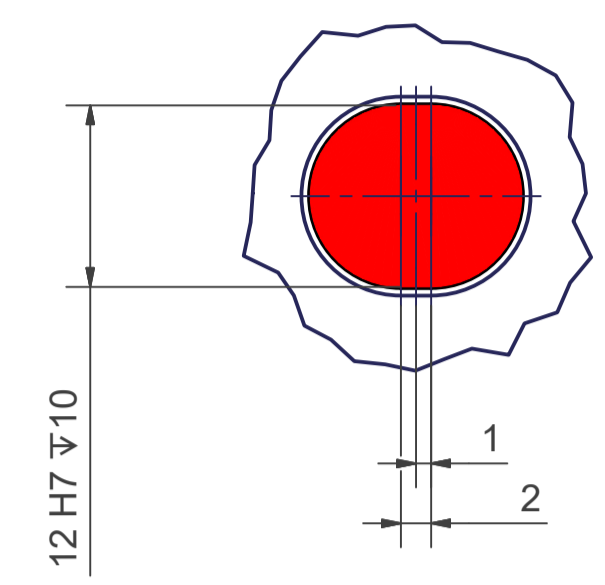
Connecting dimensions, valid for article number A\_00917

m= kg	A	p= bar
proj. storage surface = m <sup>2</sup>		v̇= l/min
First angle projection	P= kW	
	U= V / Hz / Ph	
	I <sub>max</sub> = A	

12 11 10 9 8 7 6 5 4 3 2 1

-  All fastening holes  $\varnothing 22$  mm for screws M20 (DIN ISO 4014/4017 -8.8) without washer. Fastening holes are coloured red.
-  Drilling holes for locating pins are filled red. Recommended dimensions of locating pins:  $\varnothing 12$  h6
-  Thread holes for screws M20 are coloured green. The tightening torque for these screws (strength class 8.8) is 170 Nm.

Z (2:1)



12 11 10 9 8 7 6 5 4 3 2 1