

A (2:1)

4x90° (=360°)

90°

Flange diagram according to ISO 9409-1-40-4-M6

Ø40 ± 0.02

B-B

Z (1:1)

10

6

1x45°

M6 (4x)

1x45°

Ø25 H7 (25,021)

Ø53 h7 (53,97)

1

Ø6 H7 (6,012)

Tool Center Point
TCP (on the plane of the flange)

TCP - working range

Depending on the drive type

Depending on the drive type

Maximum deflections of the upper arm

Interference contour from machine body

Maximum interference contour

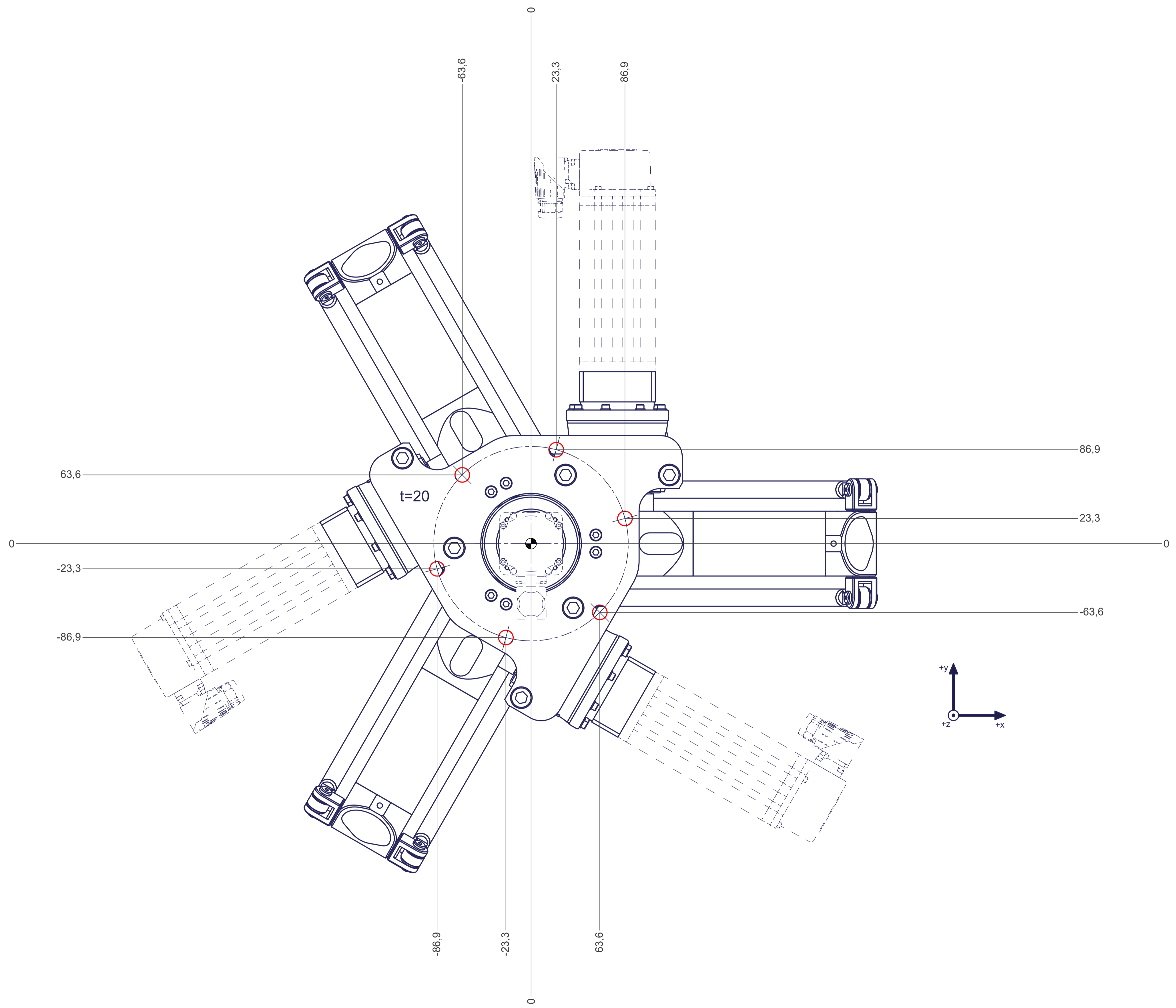
TCP

Connecting dimensions, valid for article number A_00879-MV

m= kg	A	p= bar
proj. storage surface = m²		v̇= l/min
First angle projection	P= kW	
	U= V / Hz / Ph	
	Imax= A	

12 11 10 9 8 7 6 5 4 3 2 1

○ All fastening holes $\varnothing 13,5$ mm for screws M12 (DIN 912 / ISO 4762 -8.8) without washers. Fastening holes are coloured red.



12 11 10 9 8 7 6 5 4 3 2 1