





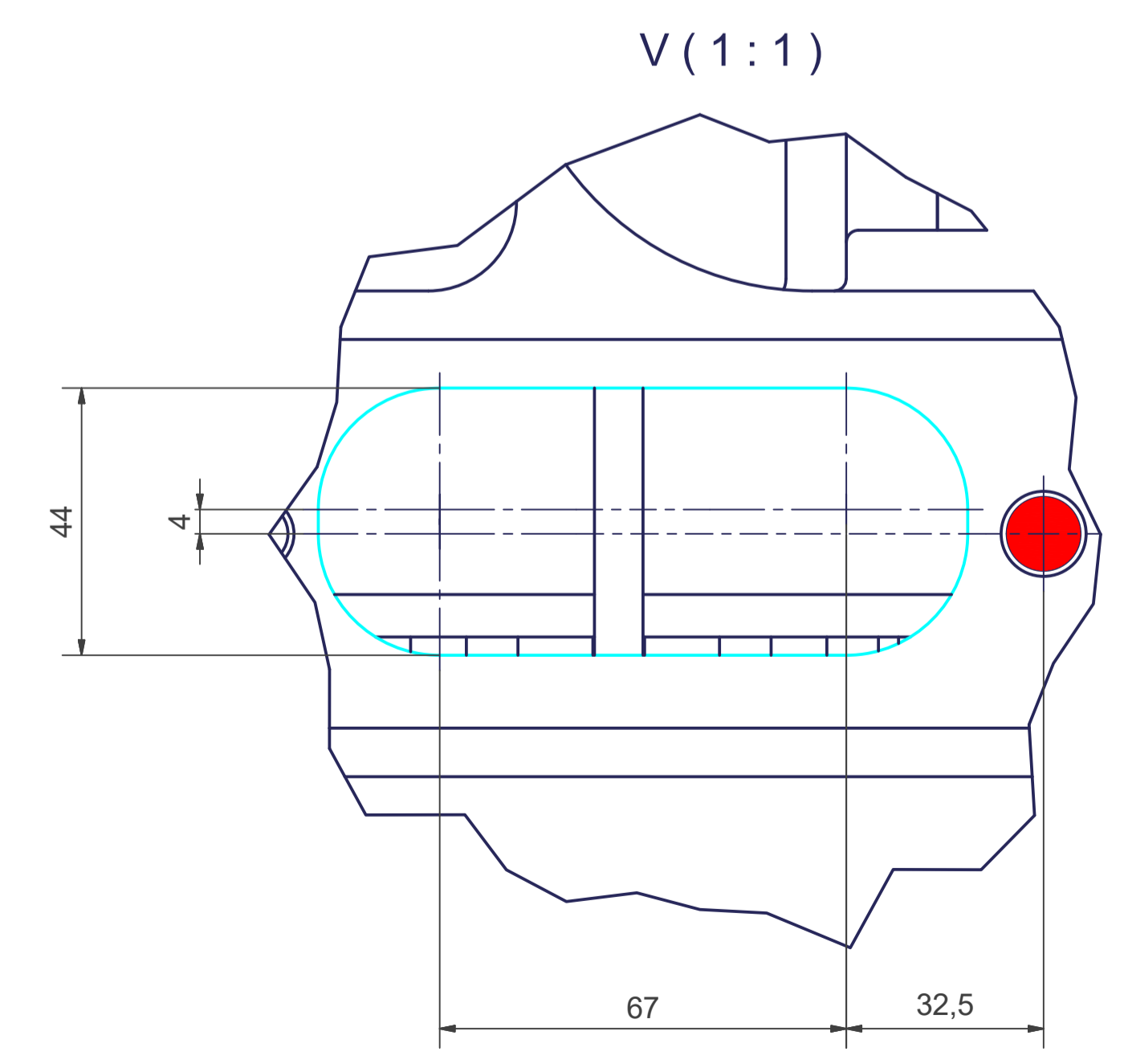
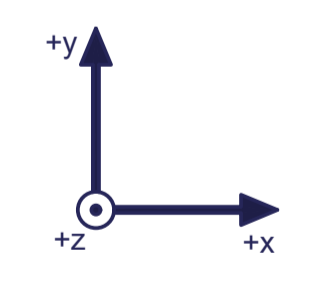
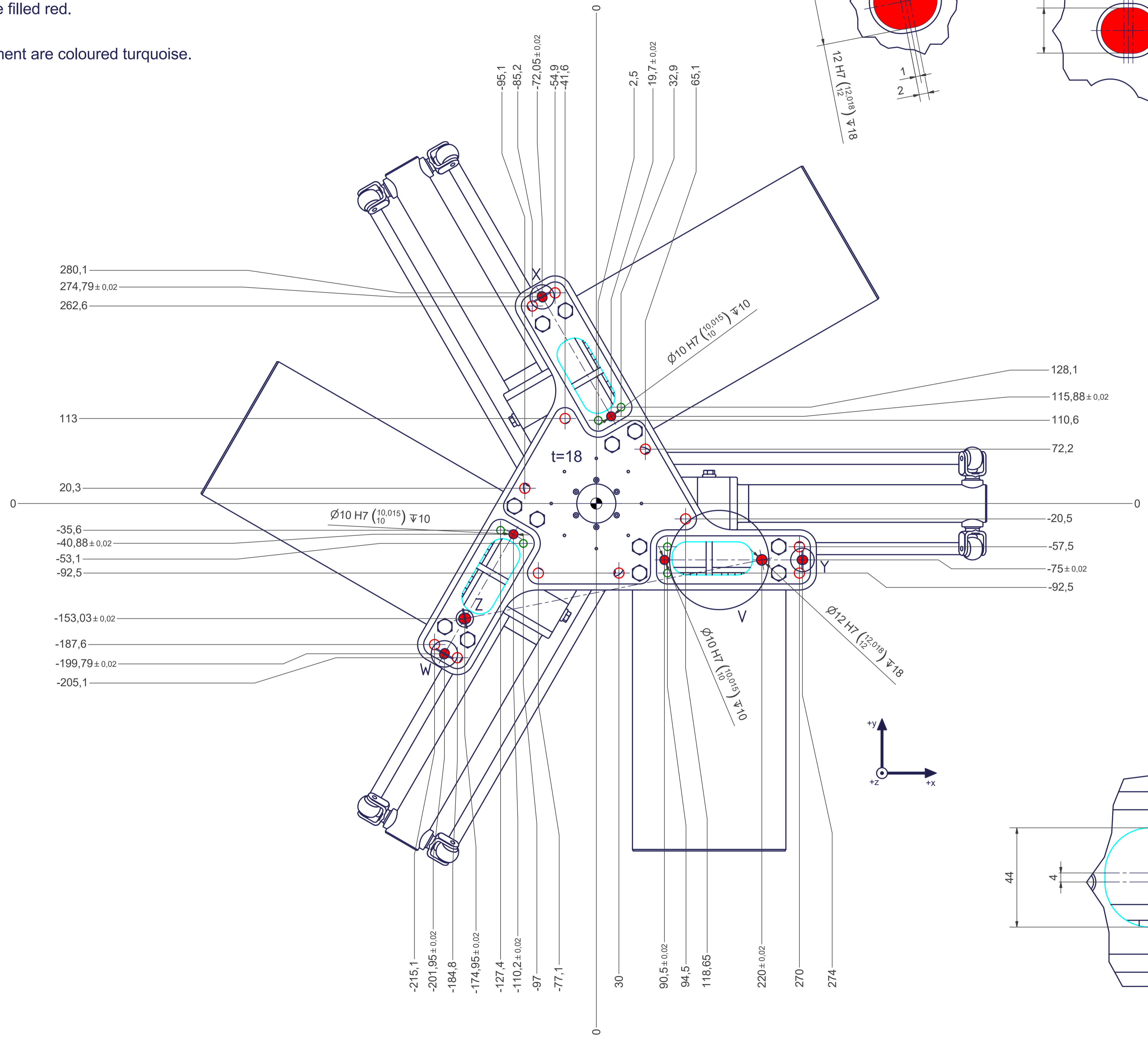
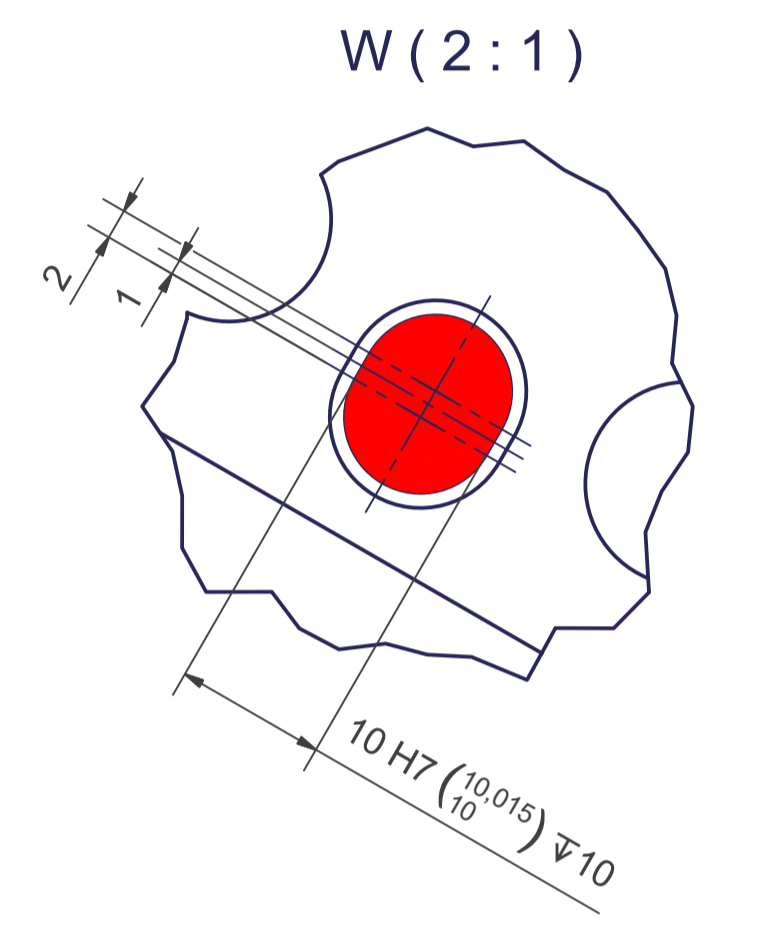
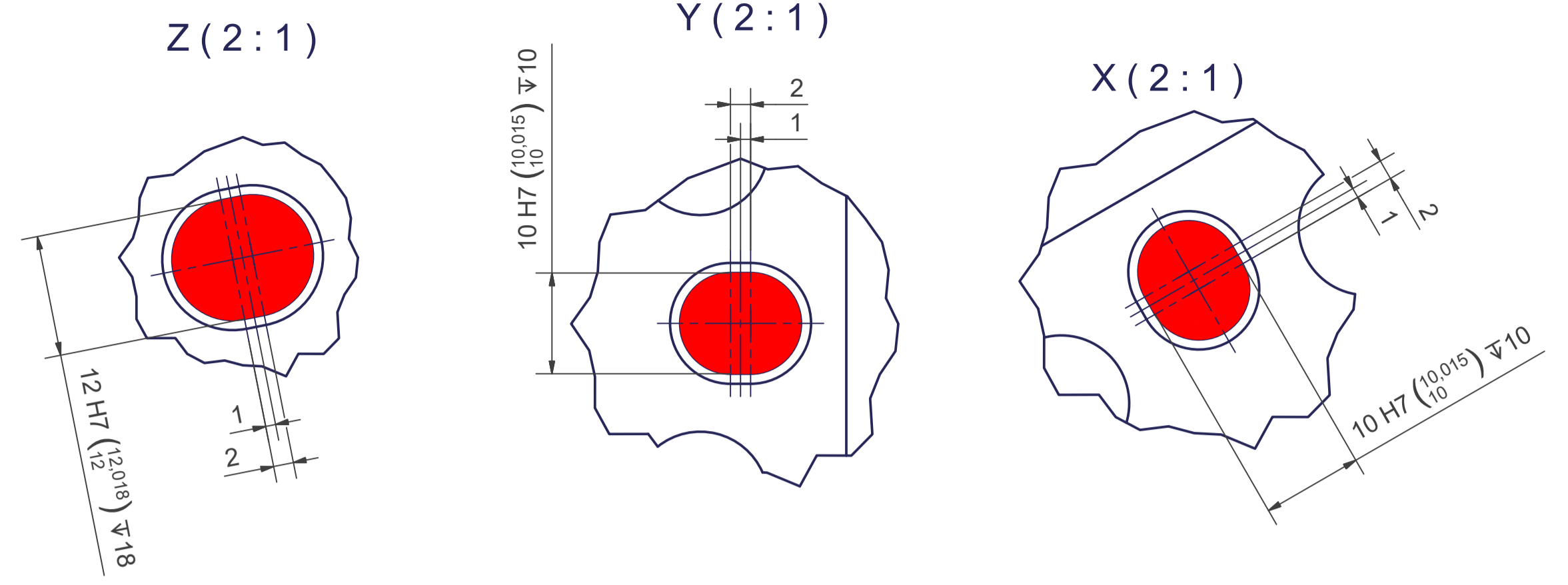
Connecting dimensions,
valid for article number A_00704 and A_00893

m= kg	A	p= bar
proj. storage surface = m²		\dot{V} = l/min
First angle projection	P= kW	
	U= V / Hz / Ph	
	Imax= A	



12 11 10 9 8 7 6 5 4 3 2 1

-  All fastening holes $\varnothing 13,5$ for screws M12 (DIN ISO 8100 -A2) without washers. Fastening holes are coloured red.
-  Thread holes for screws M12 are coloured green. The tightening torque for these screws (strength class 8.8) is 117 Nm.
-  Drilling holes for locating pins are filled red.
-  Openings for the cable management are coloured turquoise.



12 11 10 9 8 7 6 5 4 3 2 1