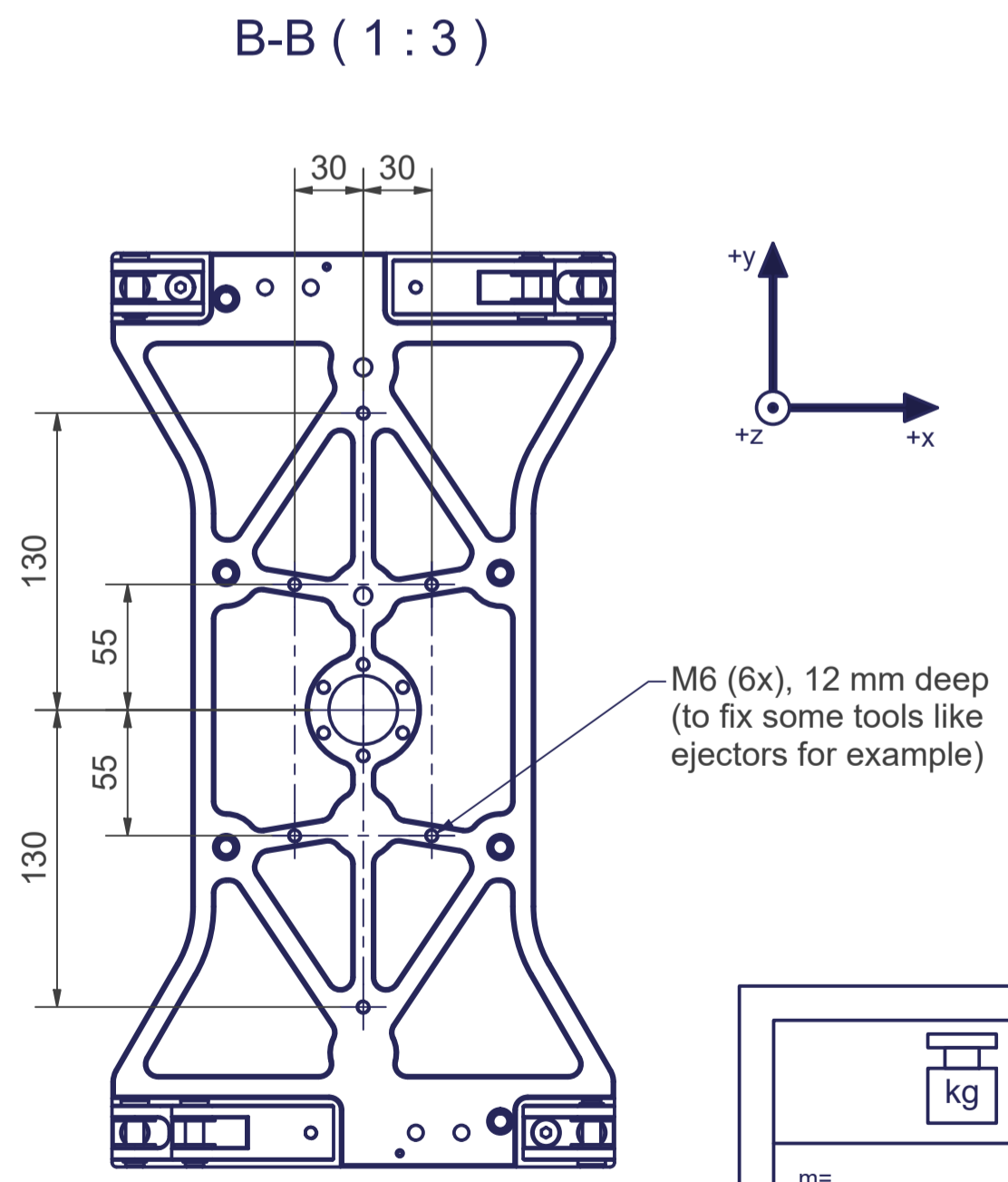
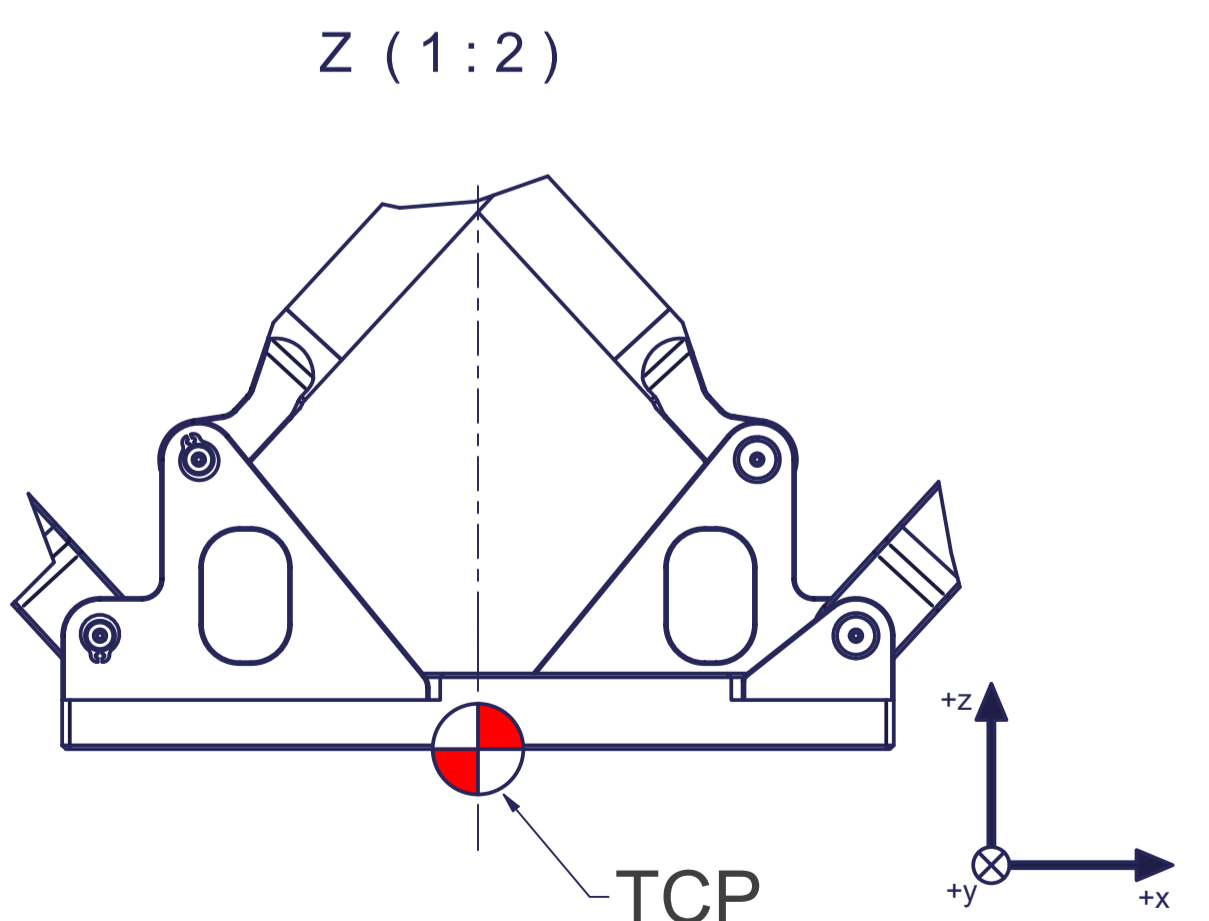
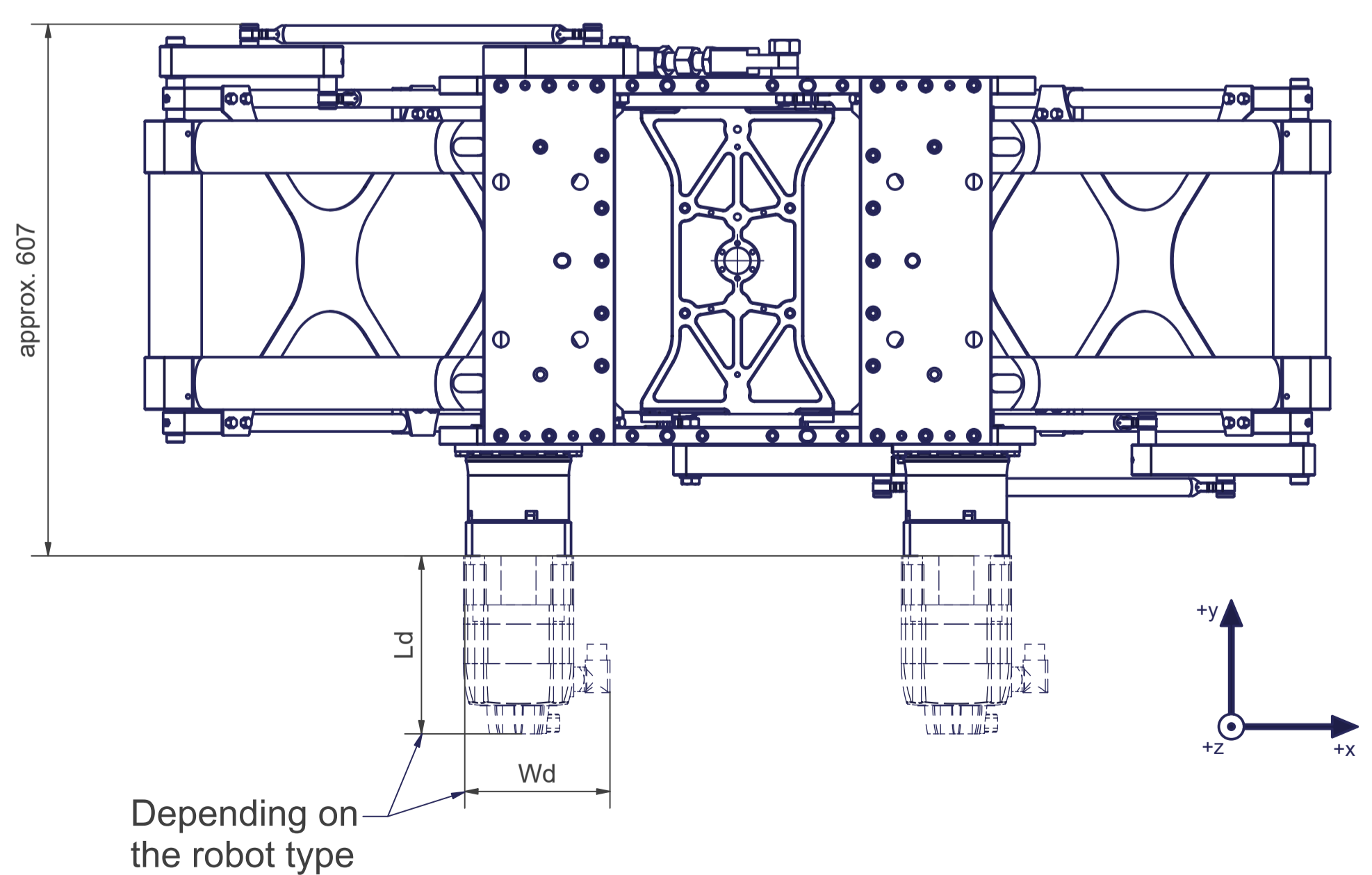


Tool Center Point
TCP (on the plane of the flange)



Connecting dimensions,
valid for article number A_00090




m= kg	A	p= bar
proj. storage surface = m²		v= l/min
First angle projection	P= kW	U= V / Hz / Ph
	U=	Imax= A

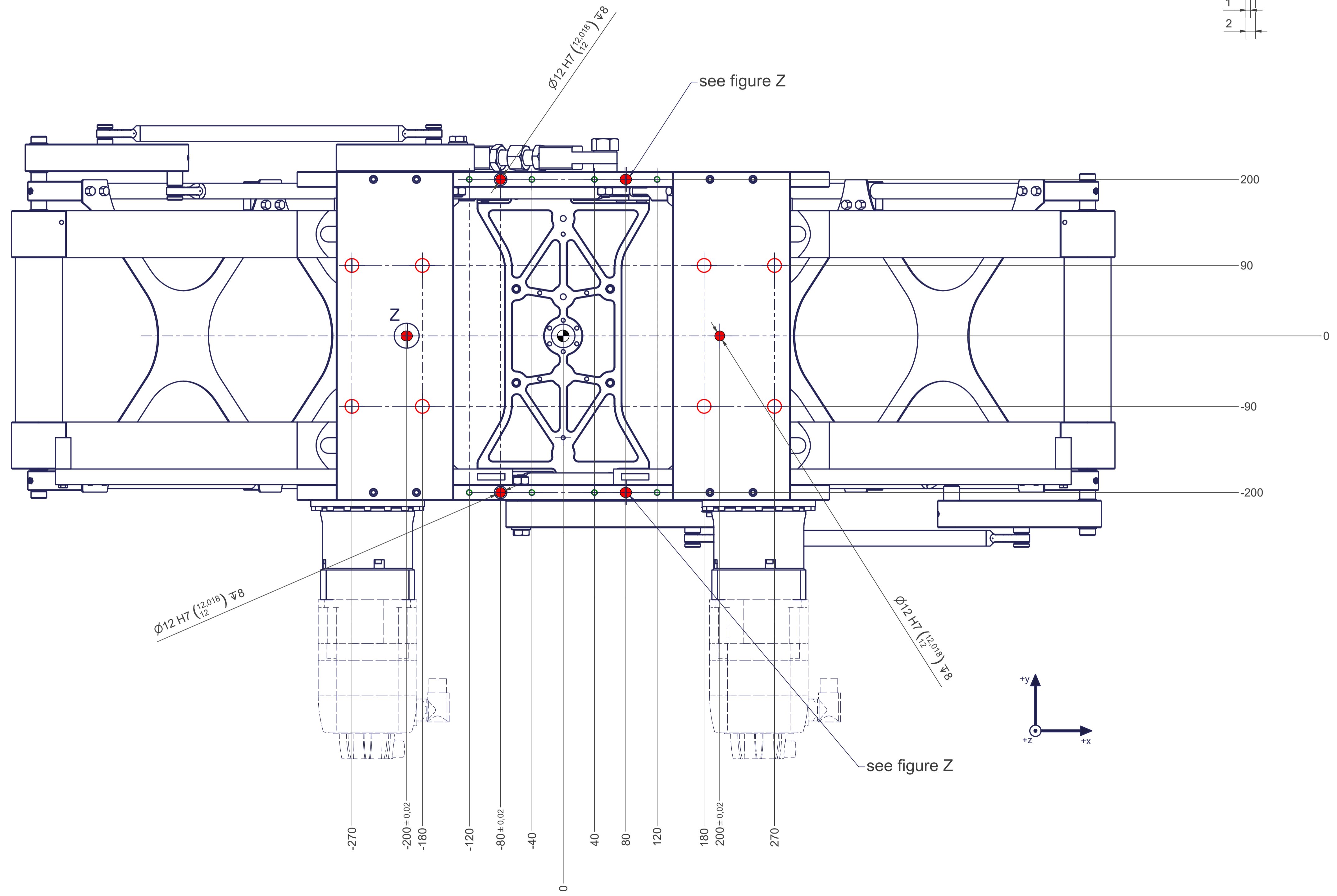
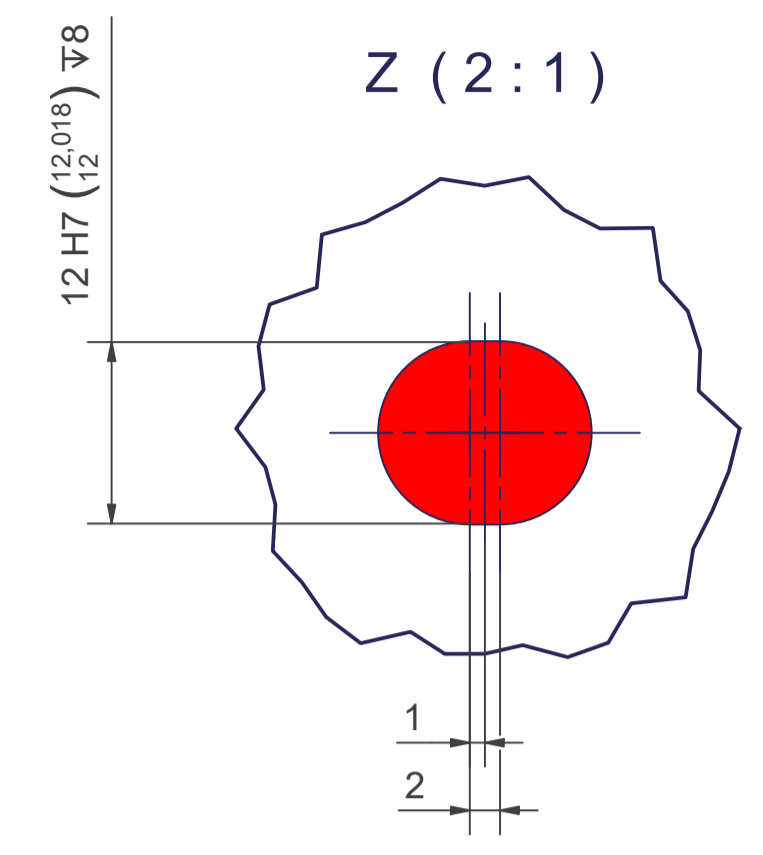


A_00090

Rev_01

12 11 10 9 8 7 6 5 4 3 2 1

-  All fastening holes $\varnothing 17,5$ mm for screws M16 (DIN ISO 4014/4017 -8.8) without washers. Fastening holes are coloured red.
-  Fastening screw threads coloured green: M8 (8x) $\nabla 15$
-  Drilling holes for locating pins are filled red. Recommend dimensions of locating pins: $\varnothing 12$ h6 ($\begin{smallmatrix} 12 \\ 11,999 \end{smallmatrix}$)



12 11 10 9 8 7 6 5 4 3 2 1