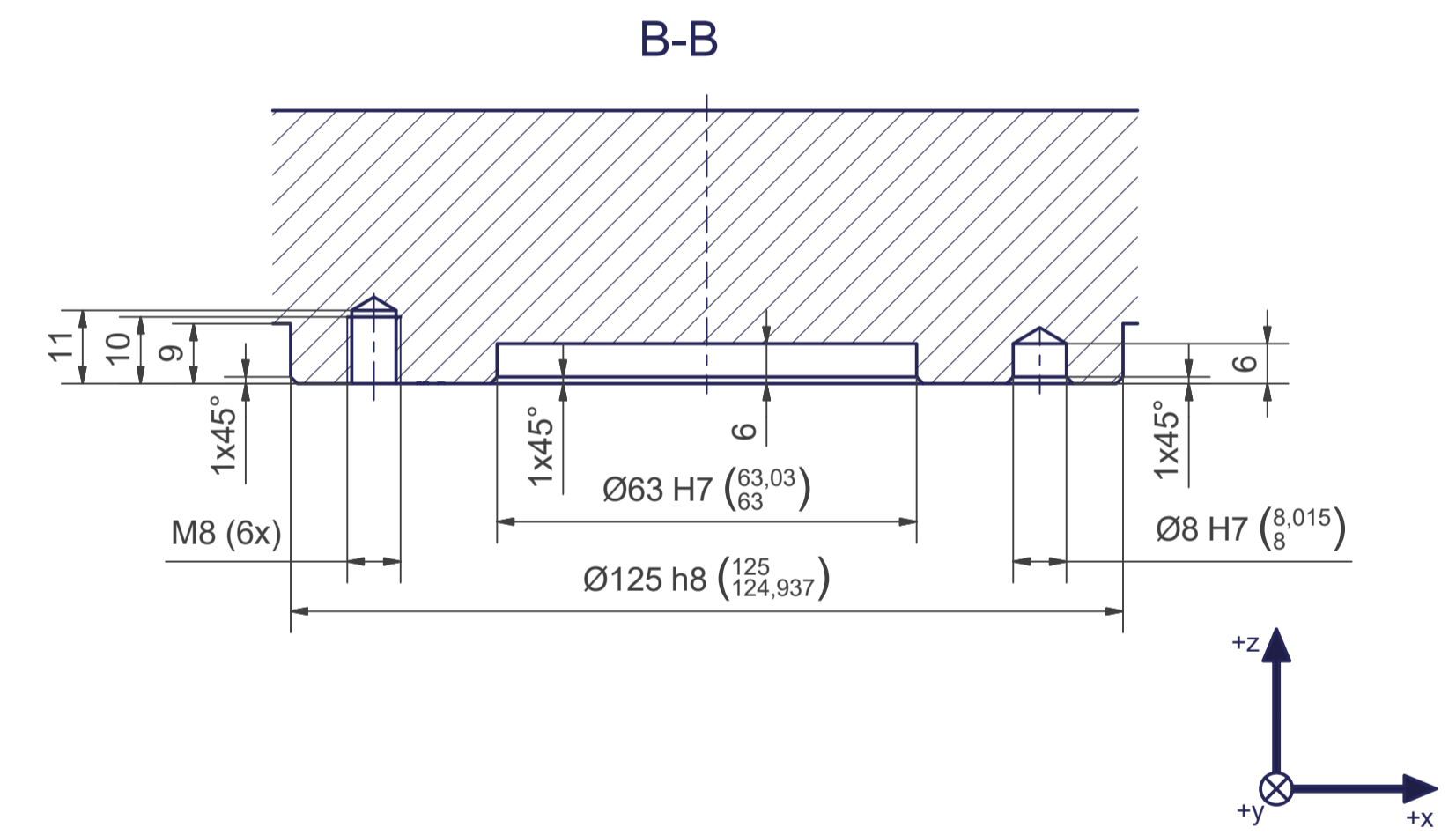
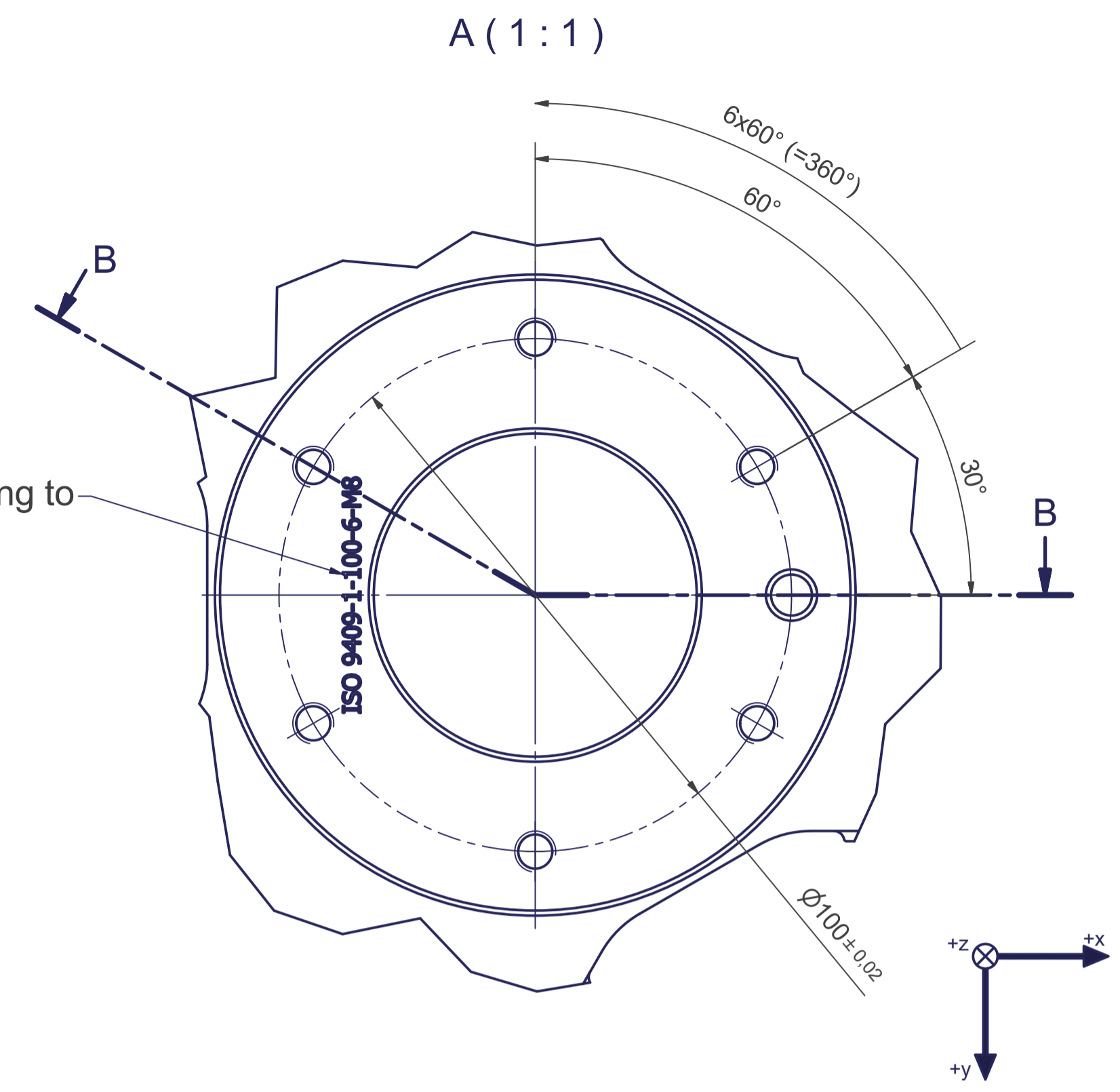


Flange diagram according to ISO 9409-1-100-6-M8



m= kg	A	p= bar
proj. storage surface = m ²		v= l/min
First angle projection	P= kW	
	U= V / Hz / Ph	
lmax=	A	

Connecting dimensions, valid for article number A_00709

