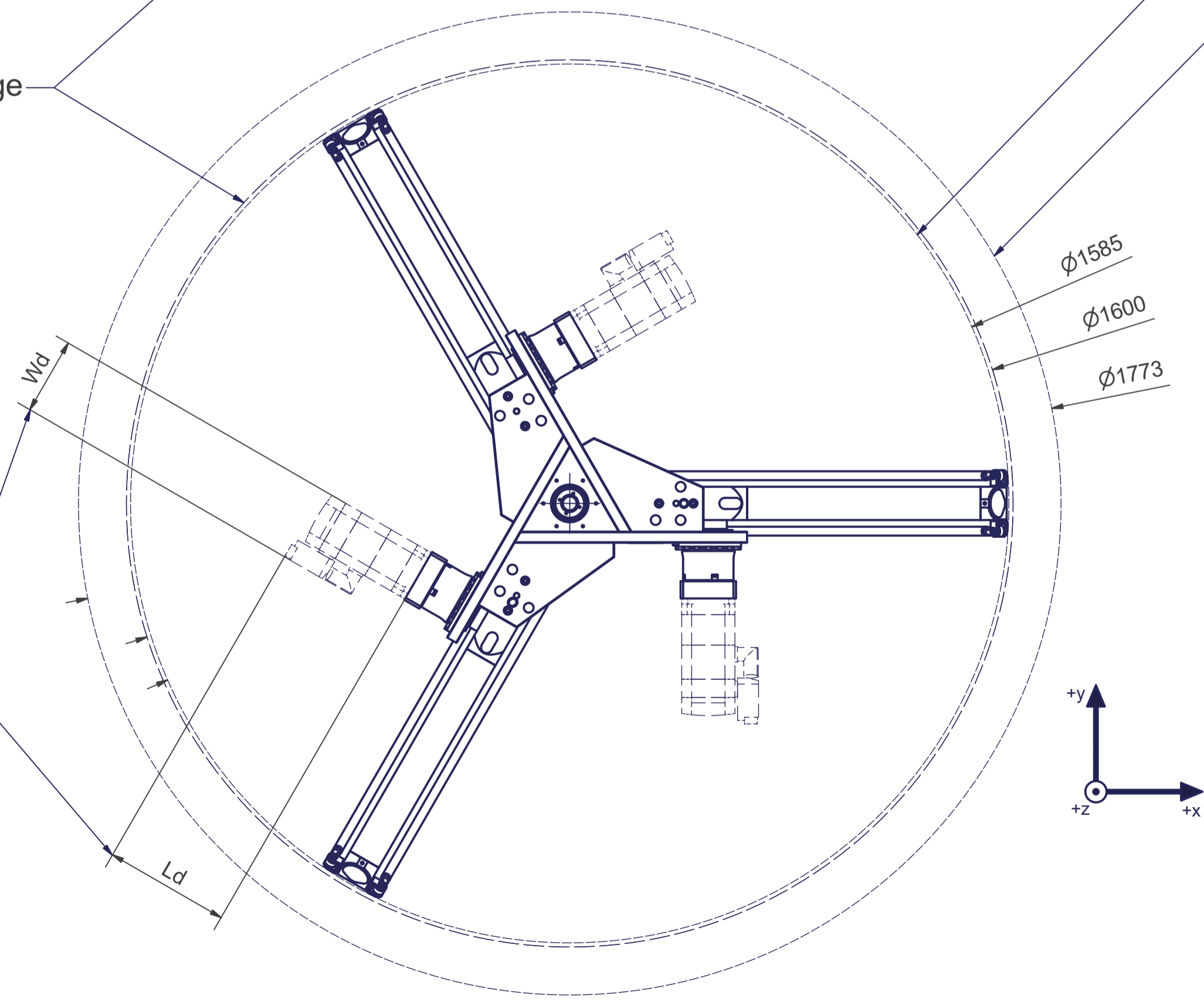


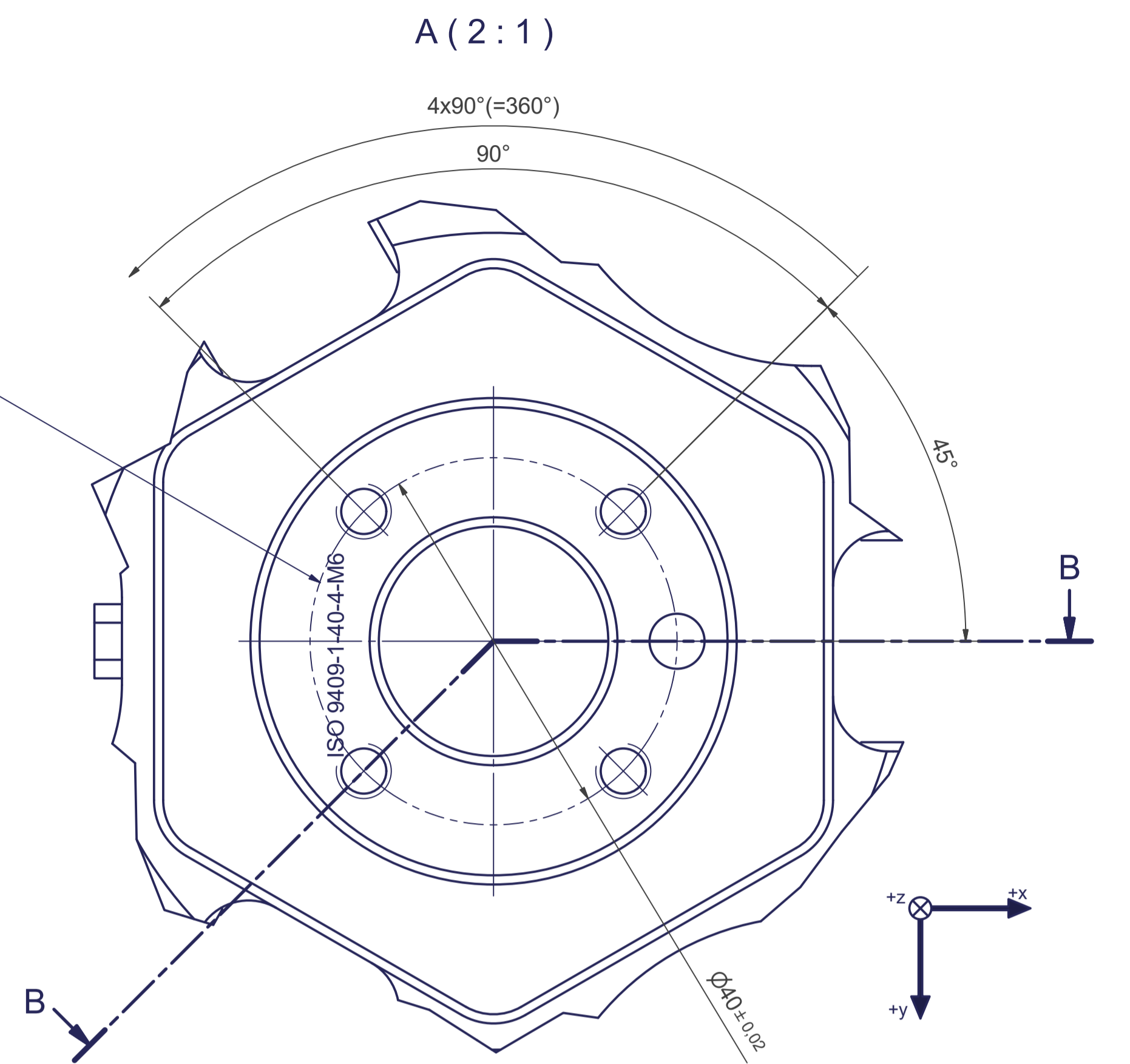
Tool Center Point
TCP (on the plane of the flange)

TCP - working range

Depending on
the drive type



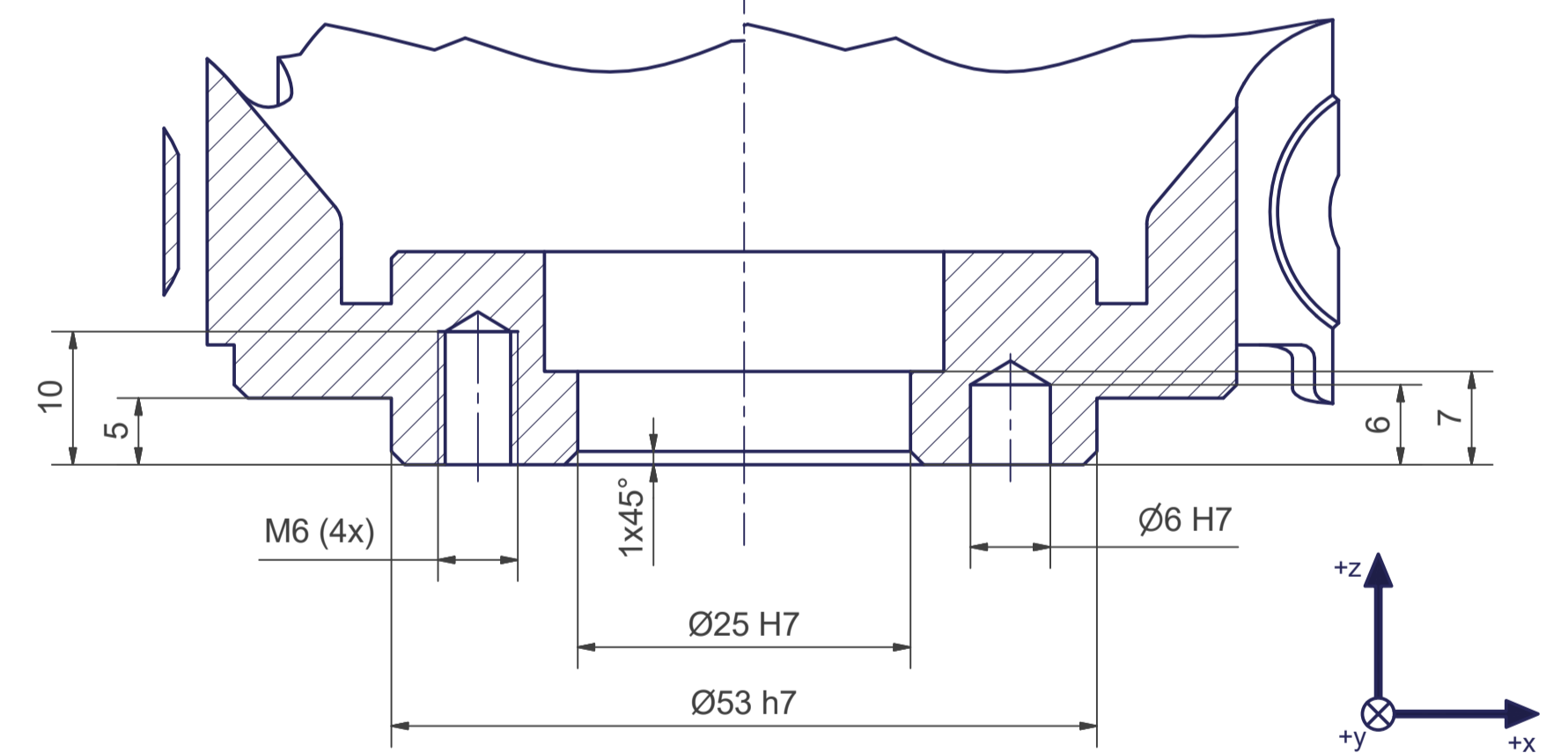
Flange diagram according to
ISO 9409-1-40-4-M6



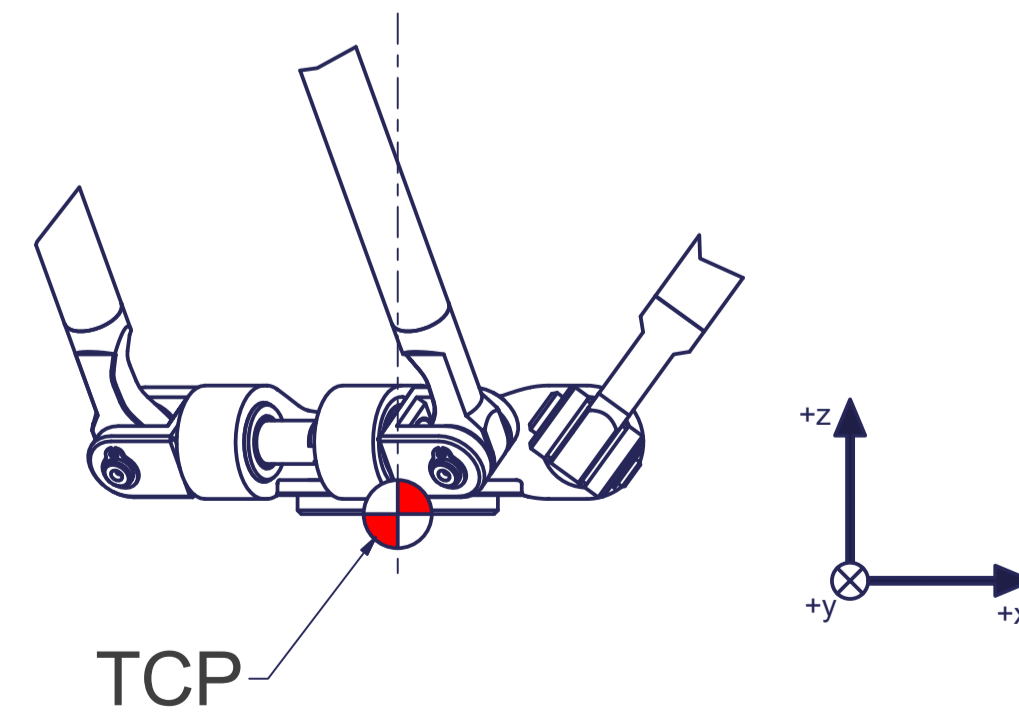
Interference contour
from machine body

Maximum interference contour

B-B



Z (1:2)



Connecting dimensions,
valid for article number A_00866

| | | |
|----------------------------|----------------------|-----------|
| | | |
| m= kg | A | p= bar |
| proj. storage surface = m² | | v̇= l/min |
| First angle projection | P= kW | |
| | U= V / Hz / Ph | |
| | I _{max} = A | |

