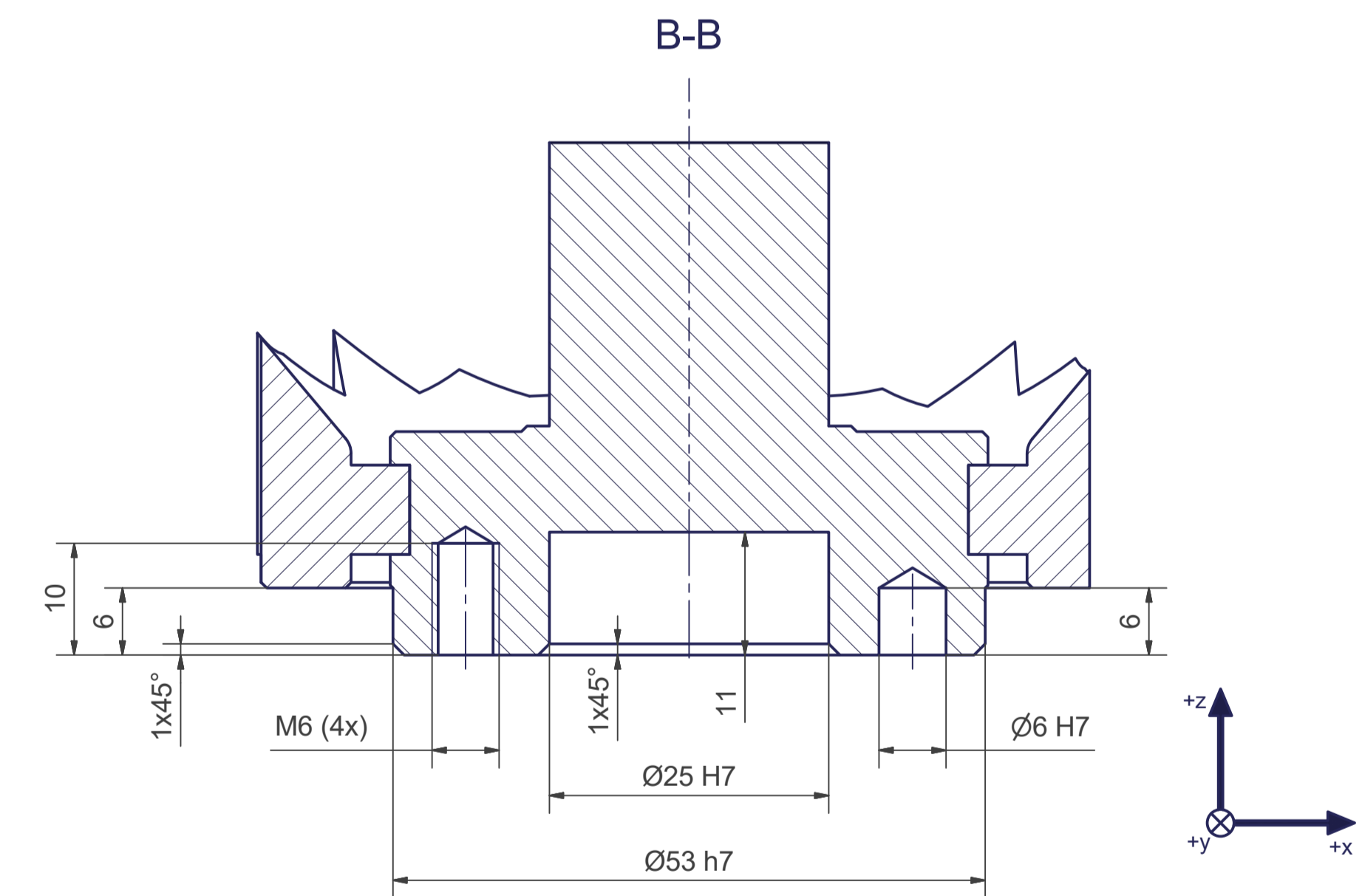
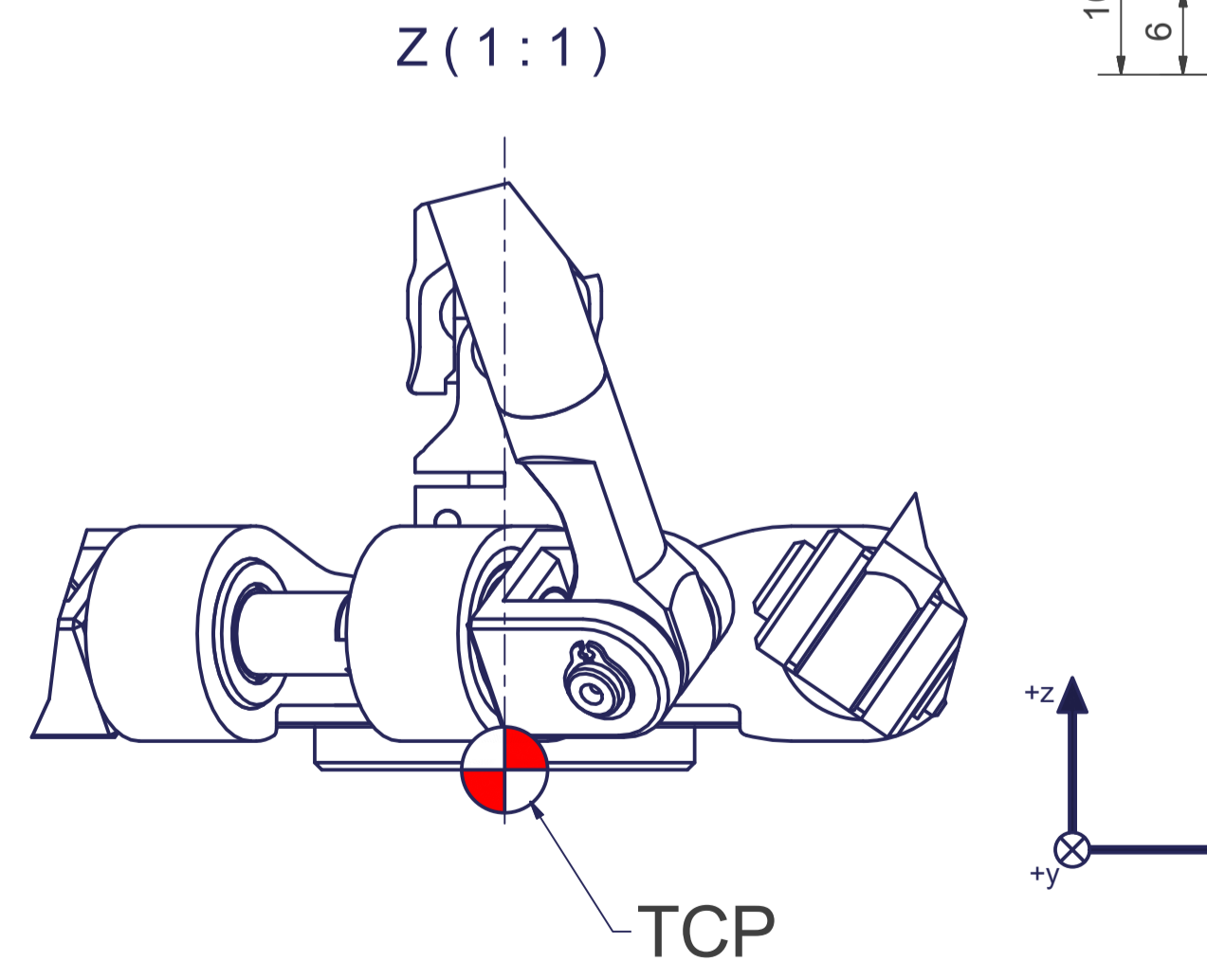
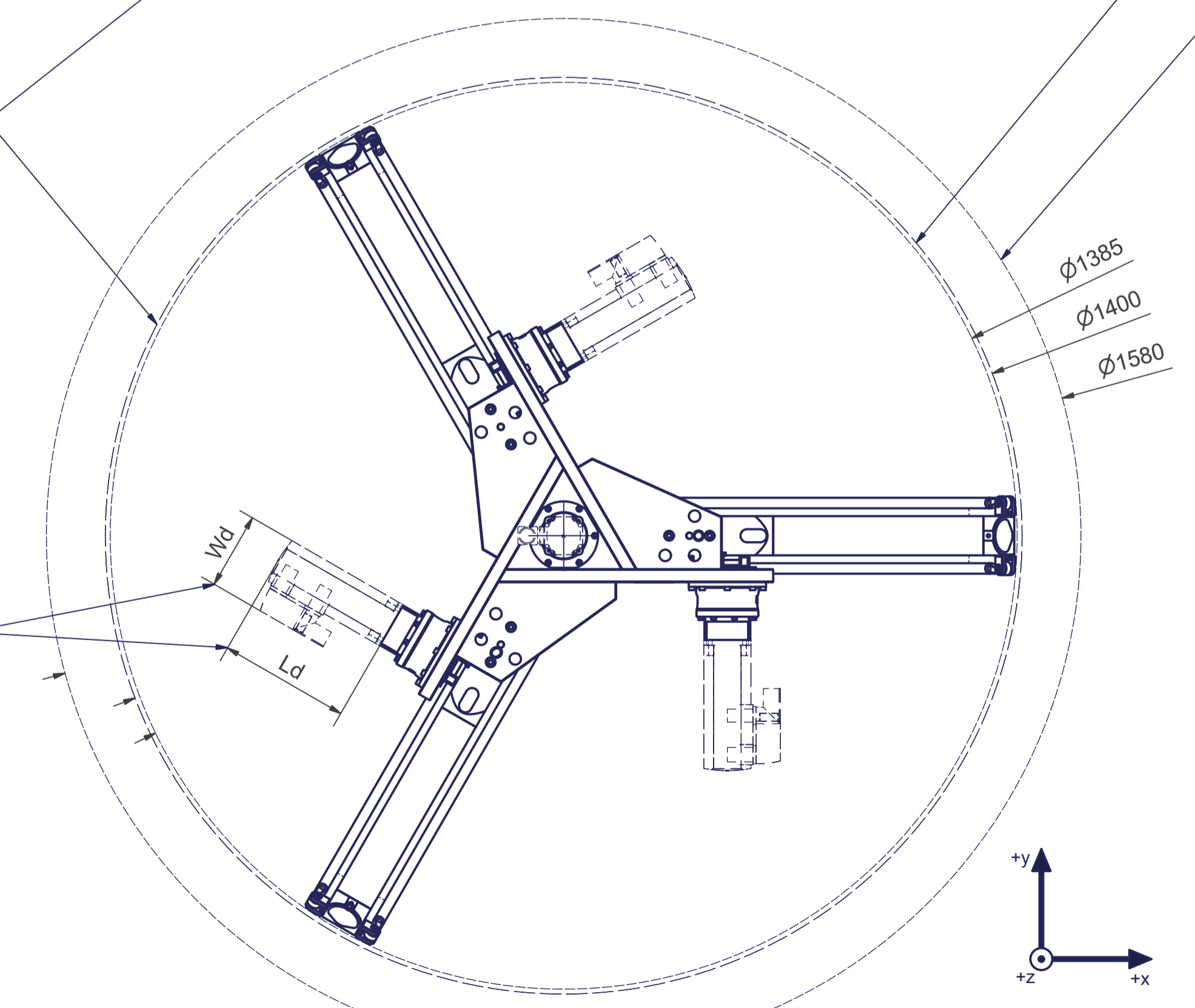


Tool Center Point
TCP (on the plane of the flange)

TCP - working range



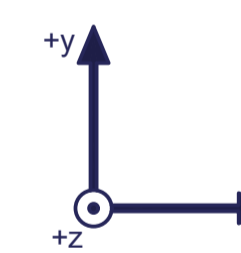
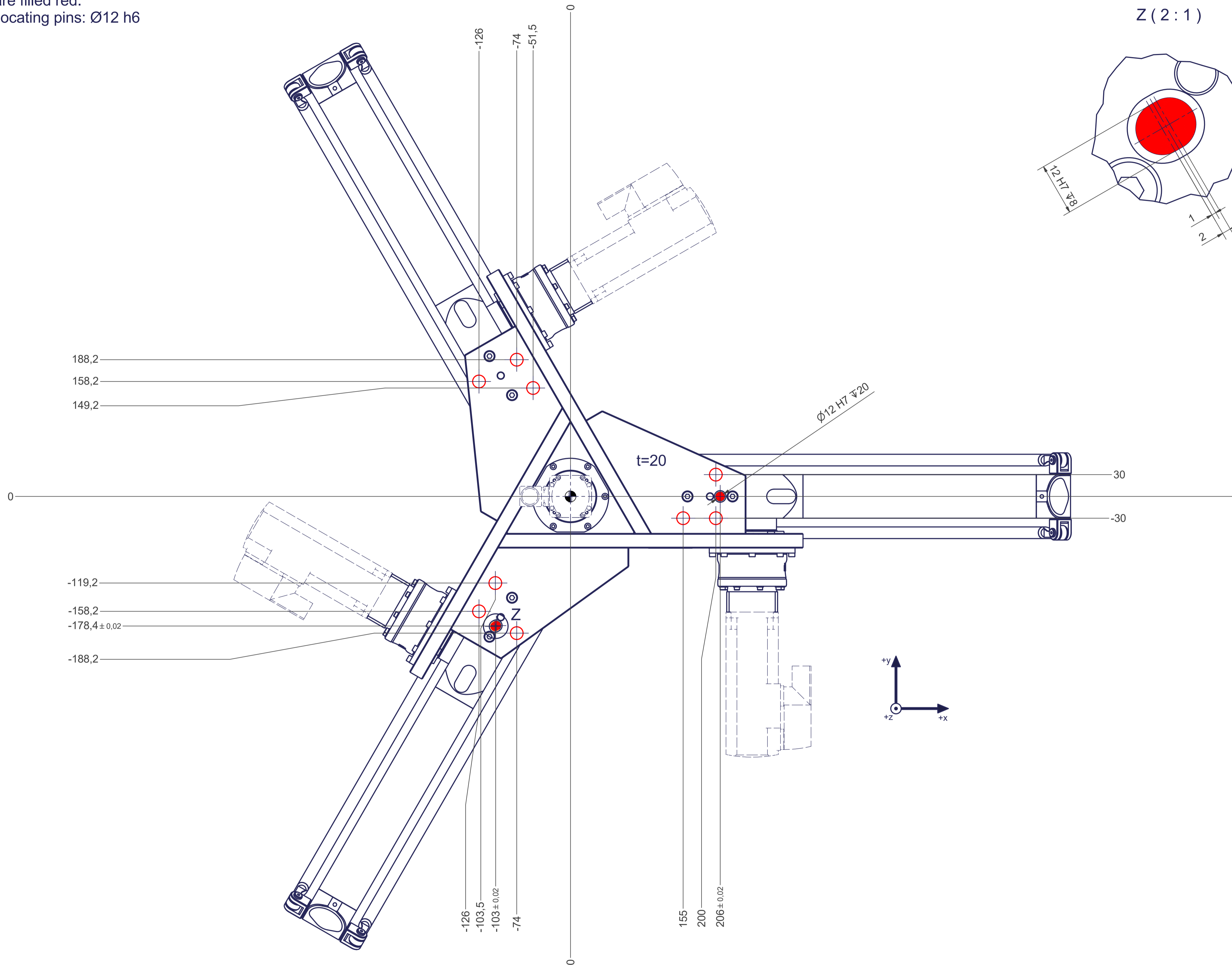
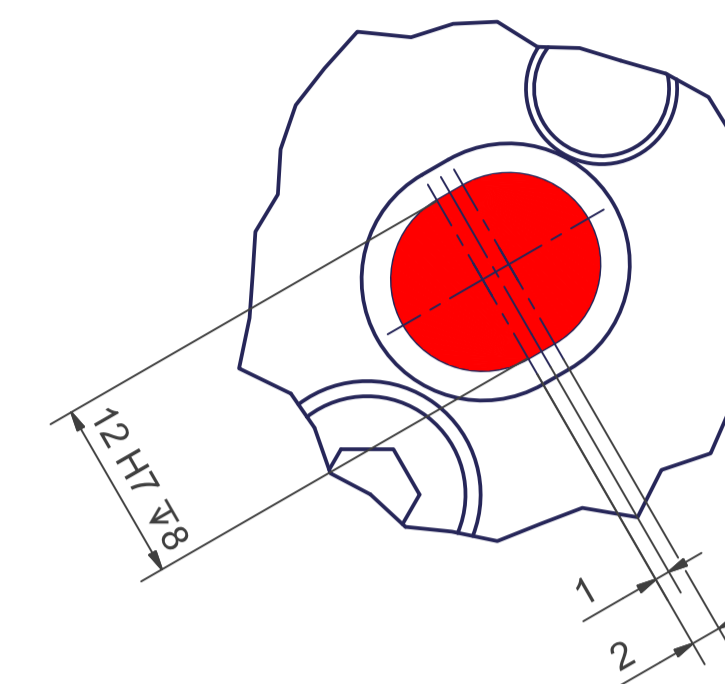
Connecting dimensions,
valid for article number A_00864-01

m= kg	A	p= bar
proj. storage surface = m²		v= l/min
First angle projection	P= kW	
	U= V / Hz / Ph	
	Imax= A	

12 11 10 9 8 7 6 5 4 3 2 1

- All fastening holes $\varnothing 17,5$ mm for screws M16 (DIN ISO 4014/4017 -8.8) without washers. Fastening holes are coloured red.
- Drilling holes for locating pins are filled red. Recommended dimensions of locating pins: $\varnothing 12$ h6

Z (2:1)



12 11 10 9 8 7 6 5 4 3 2 1