

Rev\_01

Connecting dimensions, valid for article number A\_00856

m= kg	A	p= bar
proj. storage surface = m²		v̇= l/min
First angle projection	P= kW	
	U= V / Hz / Ph	
	Imax= A	

12

11

10

9

8

7

6


5

4


3


2

1

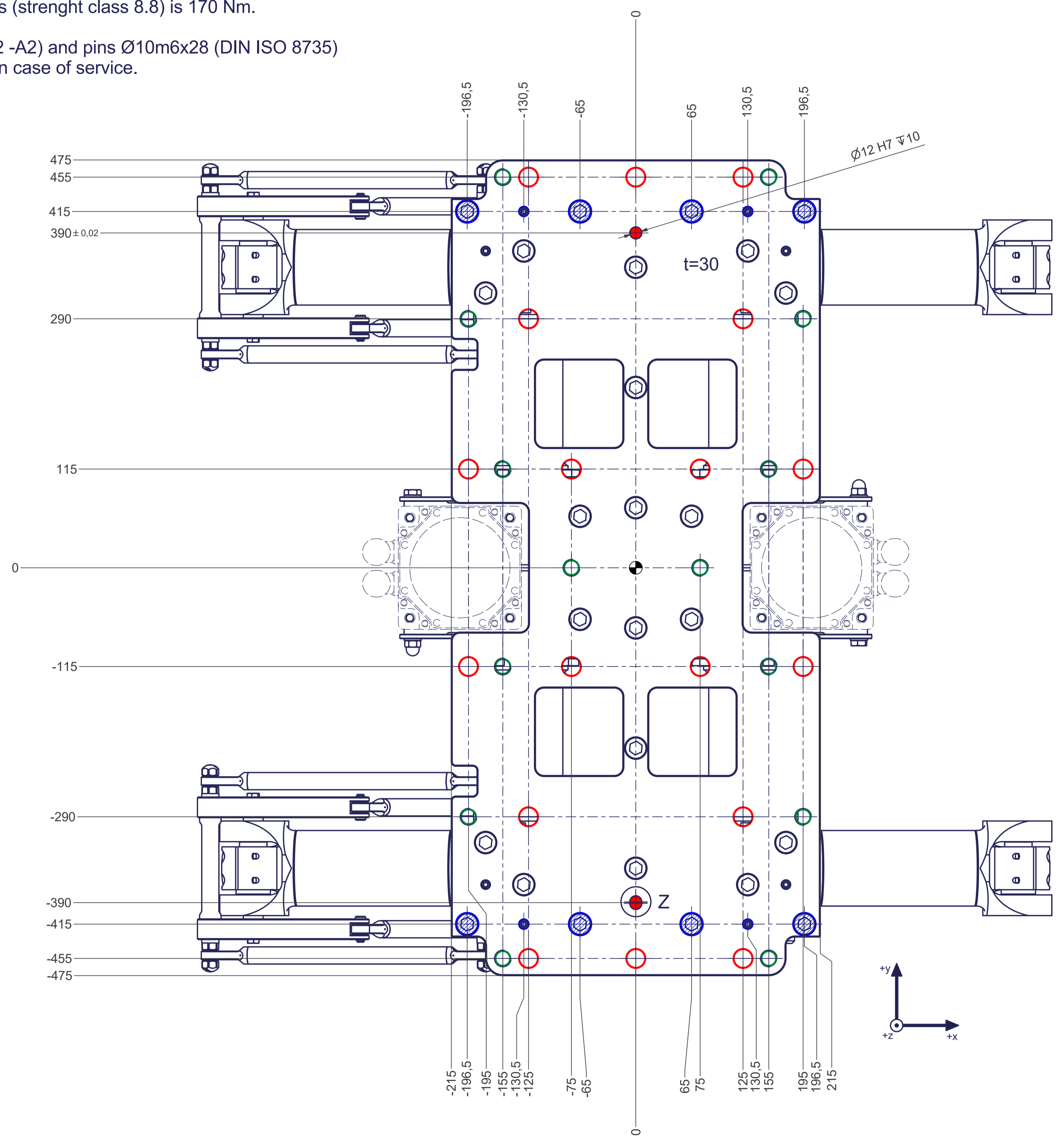
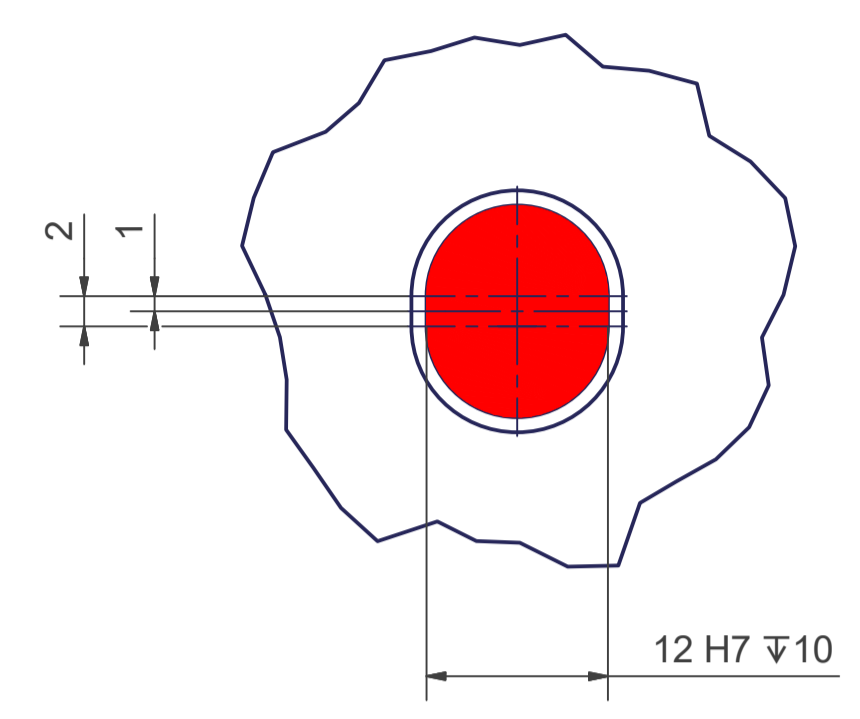
 All fastening holes  $\varnothing 22$  for screws M20 (DIN ISO 4014/4017 -8.8) without washer. Fastening holes are coloured red.

 Drilling holes for locating pins are filled red. Recommended dimensions of locating pins:  $\varnothing 12$  h6

 Thread holes for screws M20 are coloured green. The tightening torque for these screws (strength class 8.8) is 170 Nm.

 All the screws M16x40 (DIN ISO 4762 -A2) and pins  $\varnothing 10$  m6x28 (DIN ISO 8735) are marked blue must be accessible in case of service.

Z (2:1)



12

11

10

9

8

7

6

5

4

3

2

1