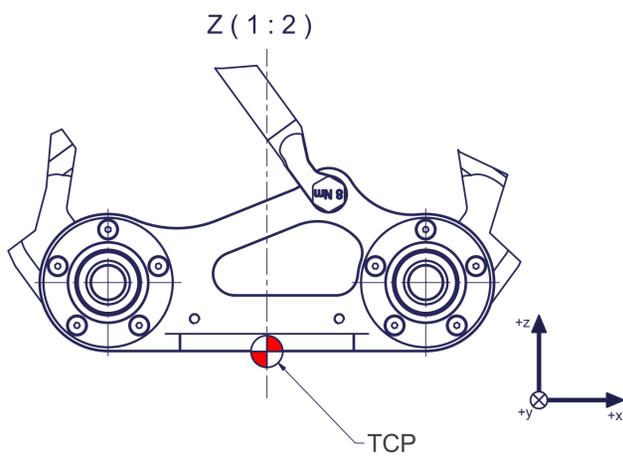
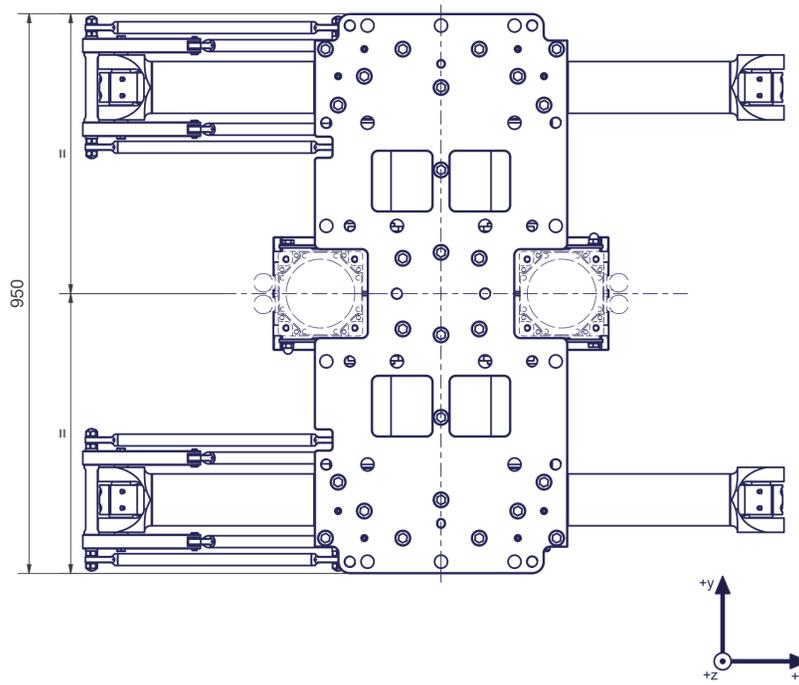


Tool Center Point
TCP (on the plane of the flange)

TCP - working range



Connecting dimensions,
valid for article number A_00897

m= kg	A	p= bar
proj. storage surface = m²		v̇= l/min
First angle projection	P= kW	U= V / Hz / Ph
	U= V / Hz / Ph	Imax= A

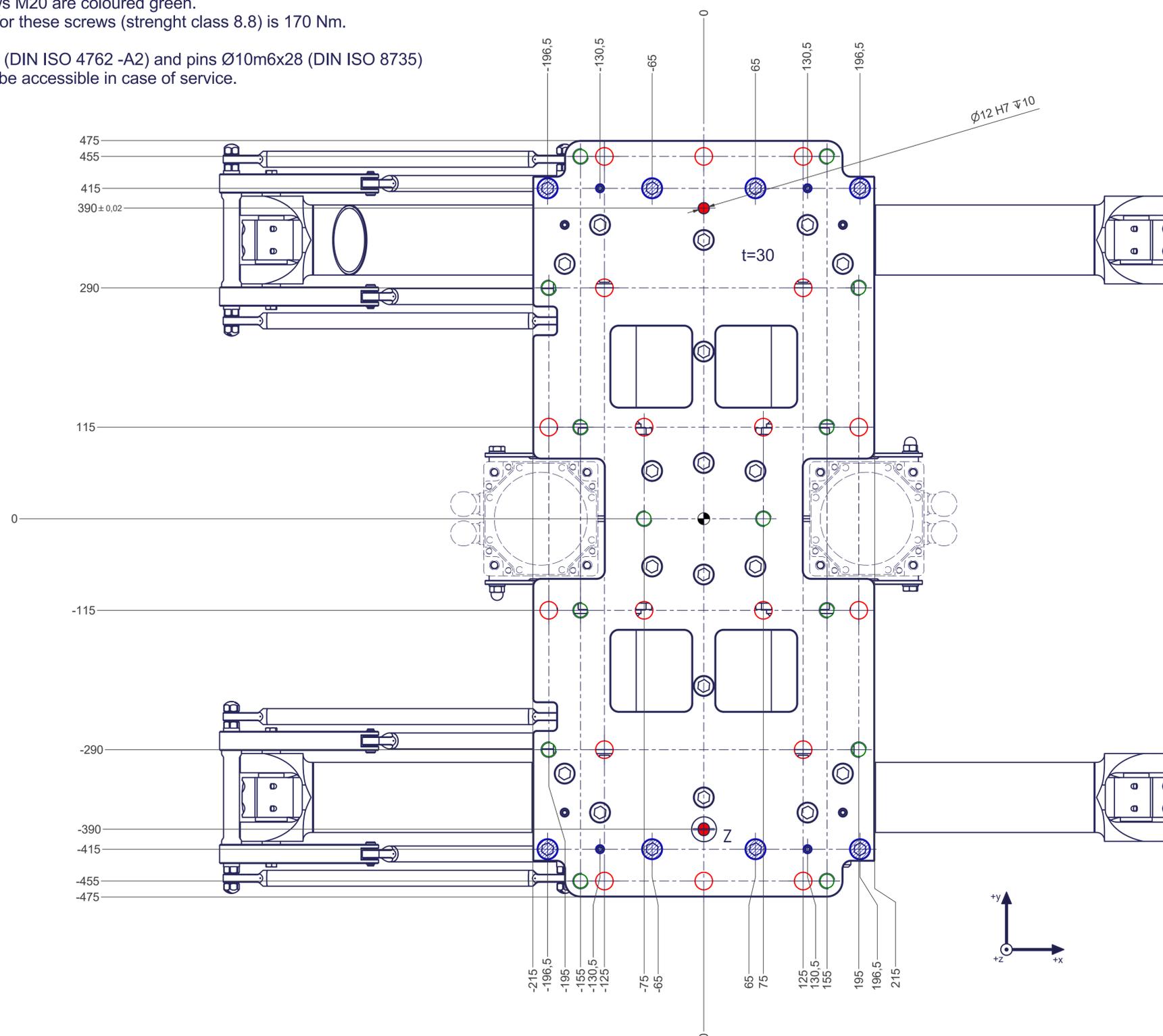
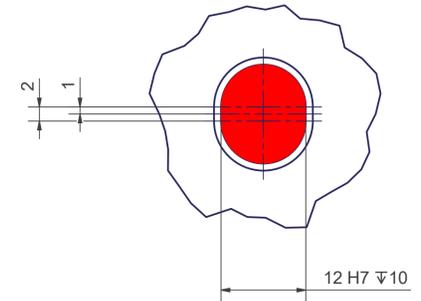


A_00897

12 11 10 9 8 7 6 5 4 3 2 1

-  All fastening holes $\phi 22$ for screws M20 (DIN ISO 4014/4017 -8.8) without washer. Fastening holes are coloured red.
-  Drilling holes for locating pins are filled red. Recommended dimensions of locating pins: $\phi 12$ h6
-  Thread holes for screws M20 are coloured green. The tightening torque for these screws (strength class 8.8) is 170 Nm.
-  All the screws M16x40 (DIN ISO 4762 -A2) and pins $\phi 10$ m6x28 (DIN ISO 8735) are marked blue must be accessible in case of service.

Z (2:1)



12 11 10 9 8 7 6 5 4 3 2 1