

Connecting dimensions, valid for article number A\_00711

m= kg	A	p= bar
proj. storage surface = m²	P= kW	$\dot{V}$ = l/min
First angle projection	U= V / Hz / Ph	
	Imax= A	

12

11

10

9

8

7

6

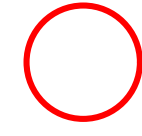
5

4

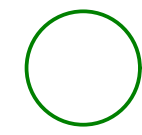
3

2

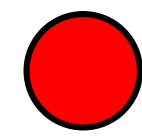
1



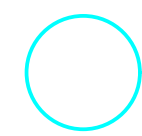
All fastening holes  $\varnothing 13,5$  for screws M12 (DIN ISO 4014/4017 -8.8) without washers. Fastening holes are coloured red.



Thread holes for screws M12 are coloured green. The tightening torque for these screws (strength class 8.8) is 117 Nm.

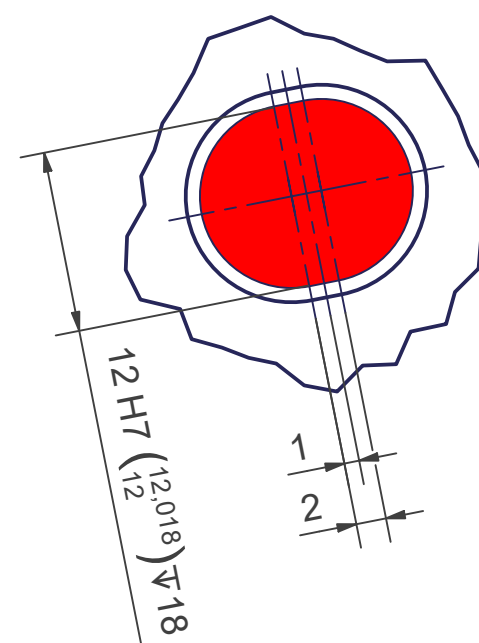


Drilling holes for locating pins are filled red.

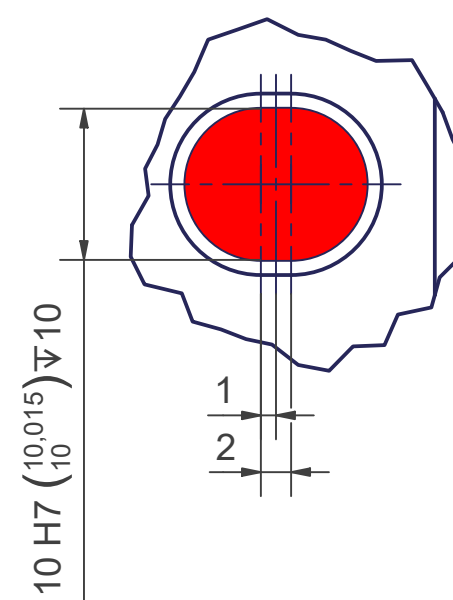


Openings for the cable management are coloured turquoise.

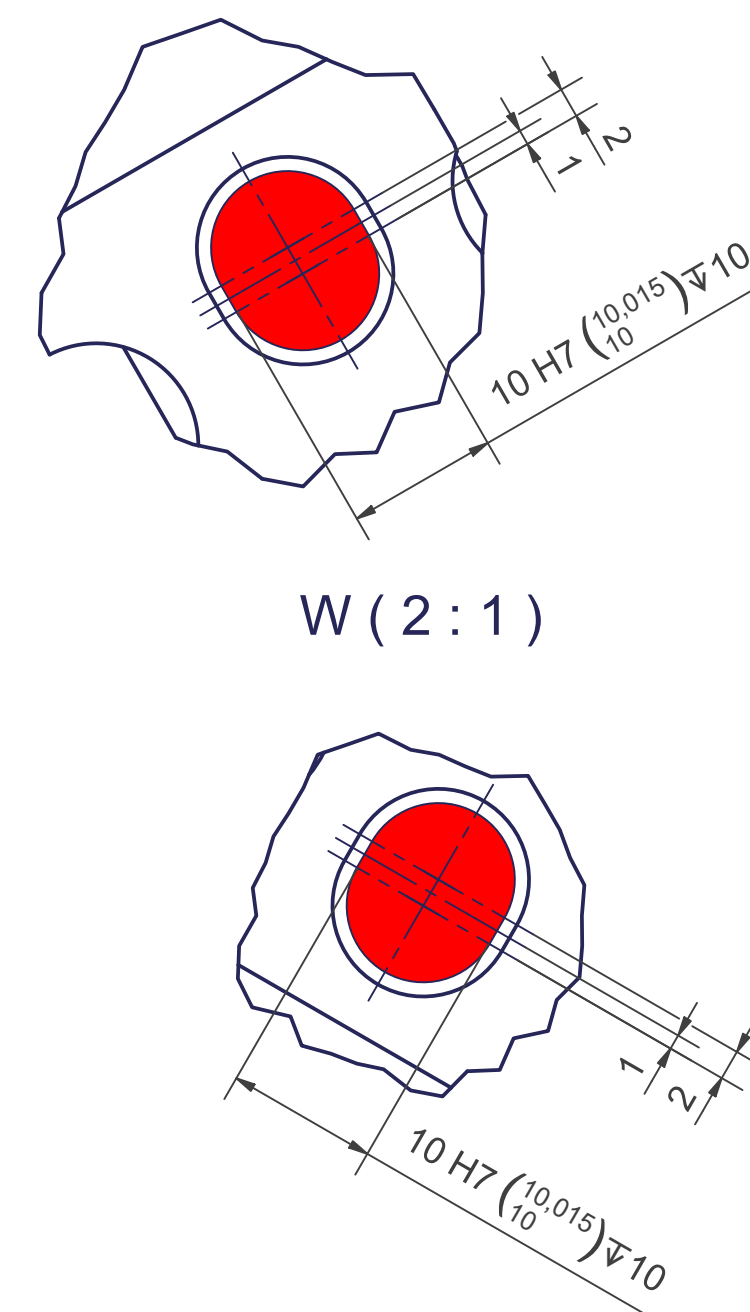
Z (2:1)



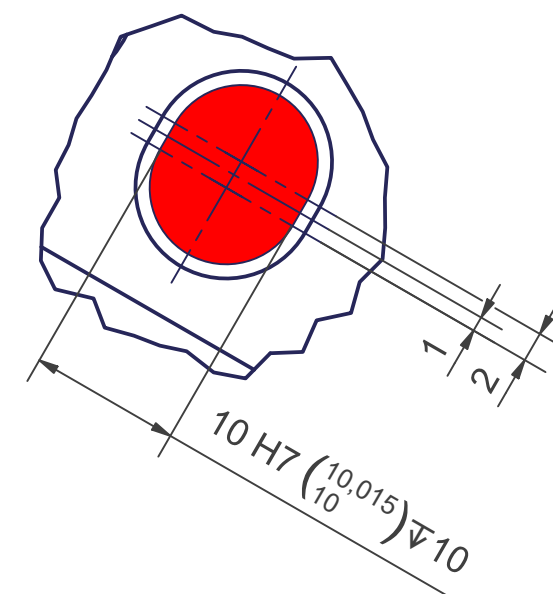
Y (2:1)



X (2:1)



W (2:1)



280,1  
274,79 ± 0,02  
262,6

113

20,3

-35,6  
-40,88 ± 0,02  
-53,1  
-92,5

-153,03 ± 0,02  
-187,6  
-199,79 ± 0,02  
-205,1

95,1  
85,2  
72,05 ± 0,02  
54,9  
41,6

2,5  
19,7 ± 0,02  
32,9  
65,1

$\varnothing 10 H7 (10.015) \nabla 10$

t=18

$\varnothing 10 H7 (10.015) \nabla 10$

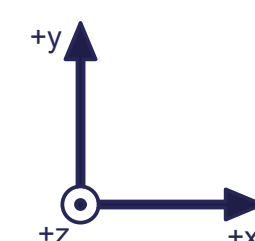
128,1  
115,88 ± 0,02  
110,6

72,2

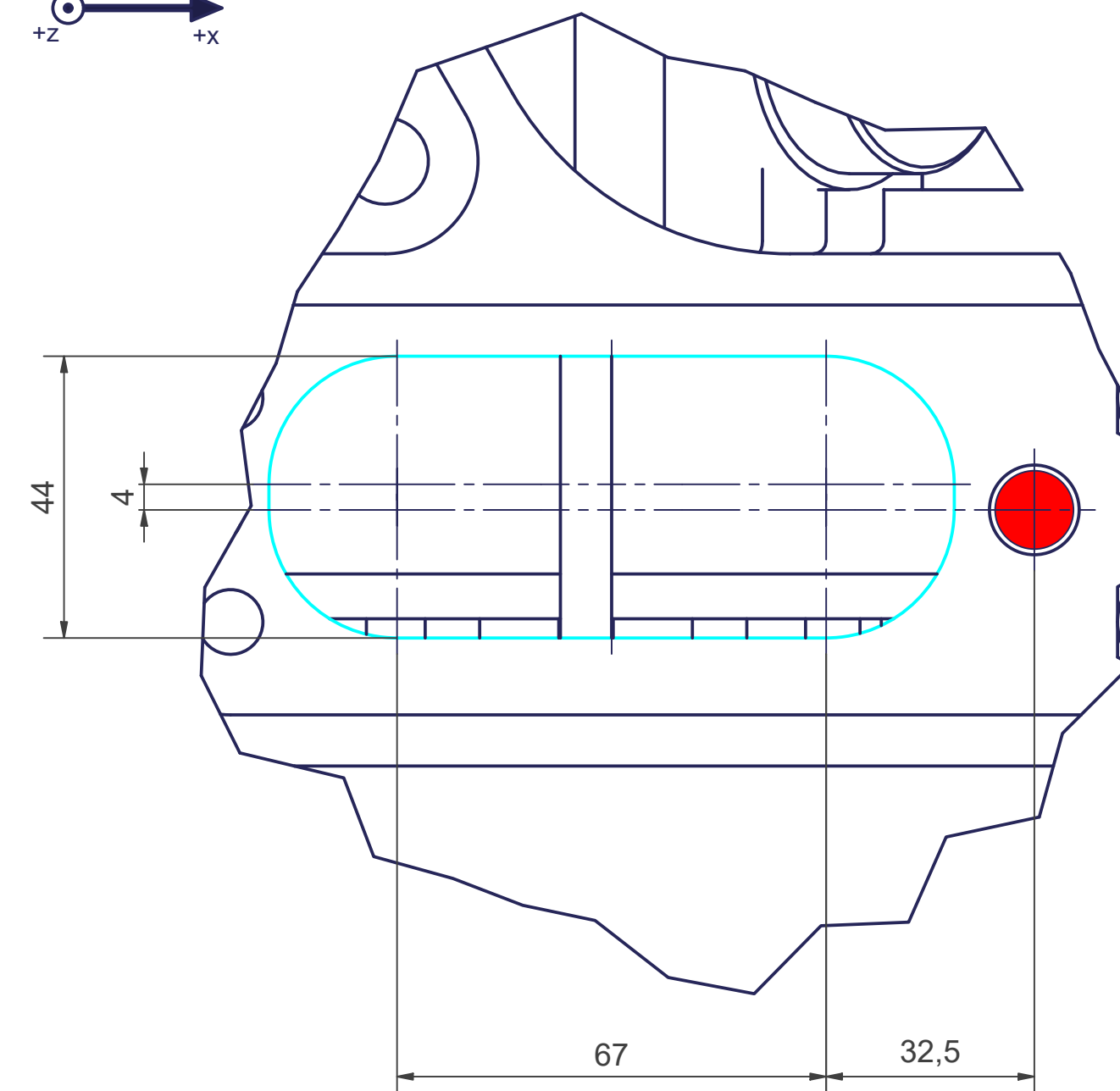
-20,5

-57,5  
-75 ± 0,02  
-92,5

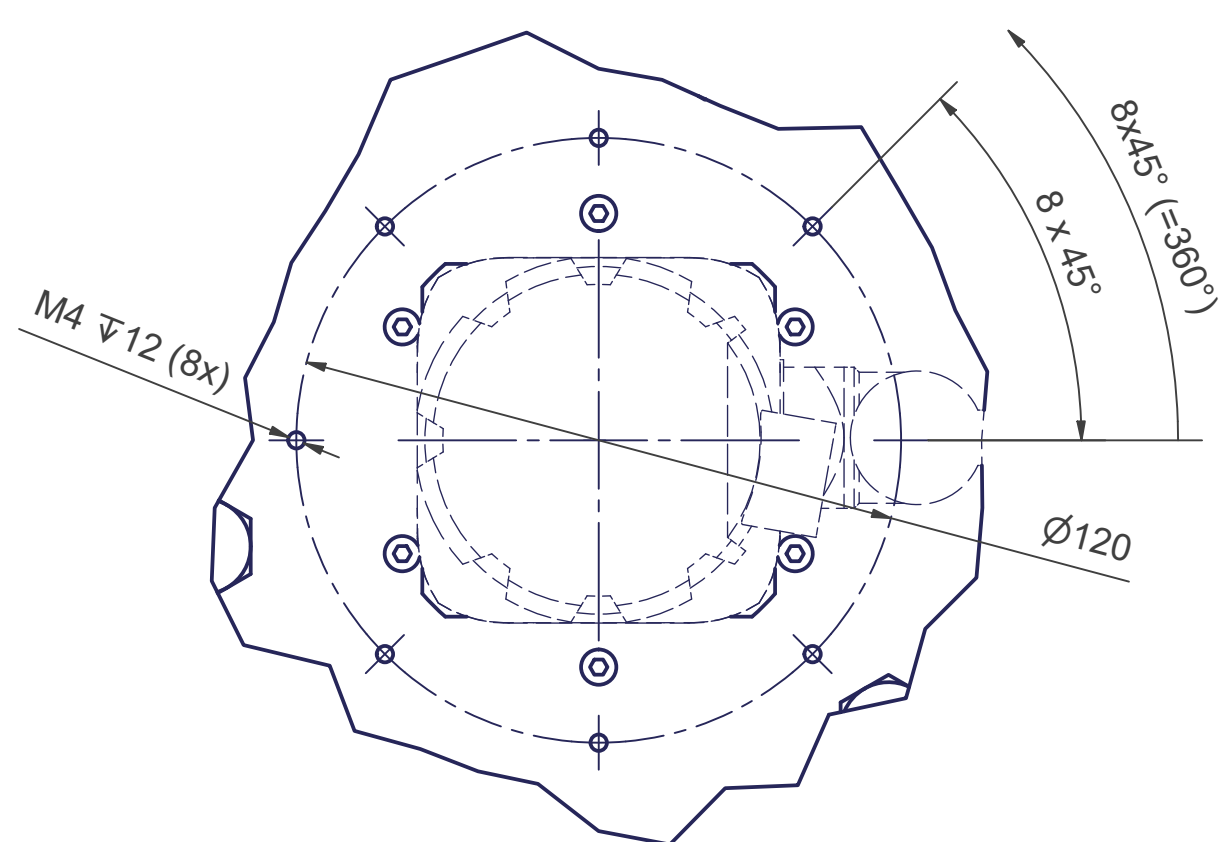
$\varnothing 10 H7 (10.015) \nabla 10$   
 $\varnothing 12 H7 (12.018) \nabla 18$



V (1:1)



U (2:3)



-215,1  
-201,95 ± 0,02  
-184,8  
-174,95 ± 0,02  
-127,4  
-110,2 ± 0,02  
-97  
-77,1

30

90,5 ± 0,02  
94,5  
118,6

220 ± 0,02  
270  
274

12

11

10

9

8

7

6

5

4

3

2

1