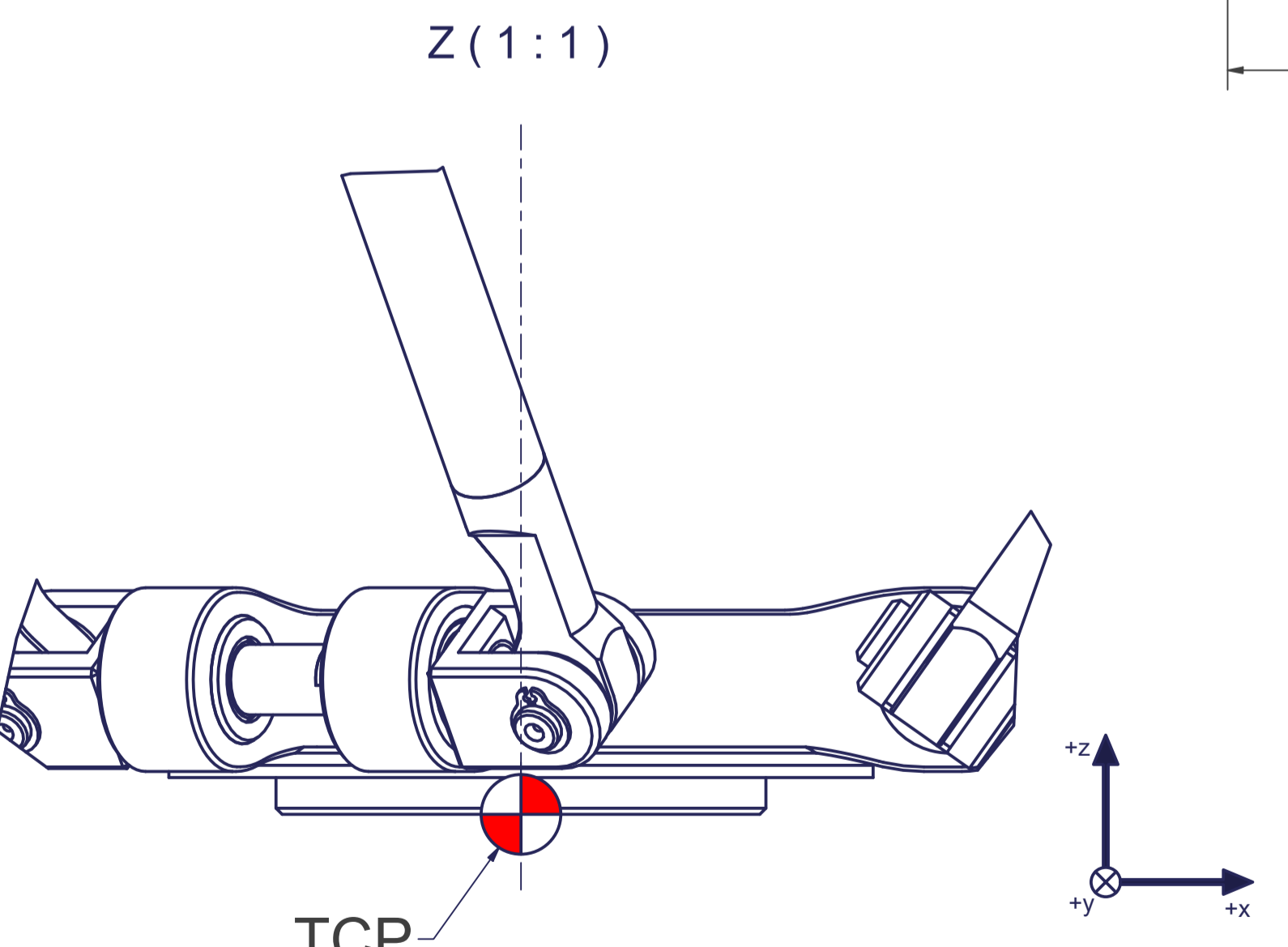
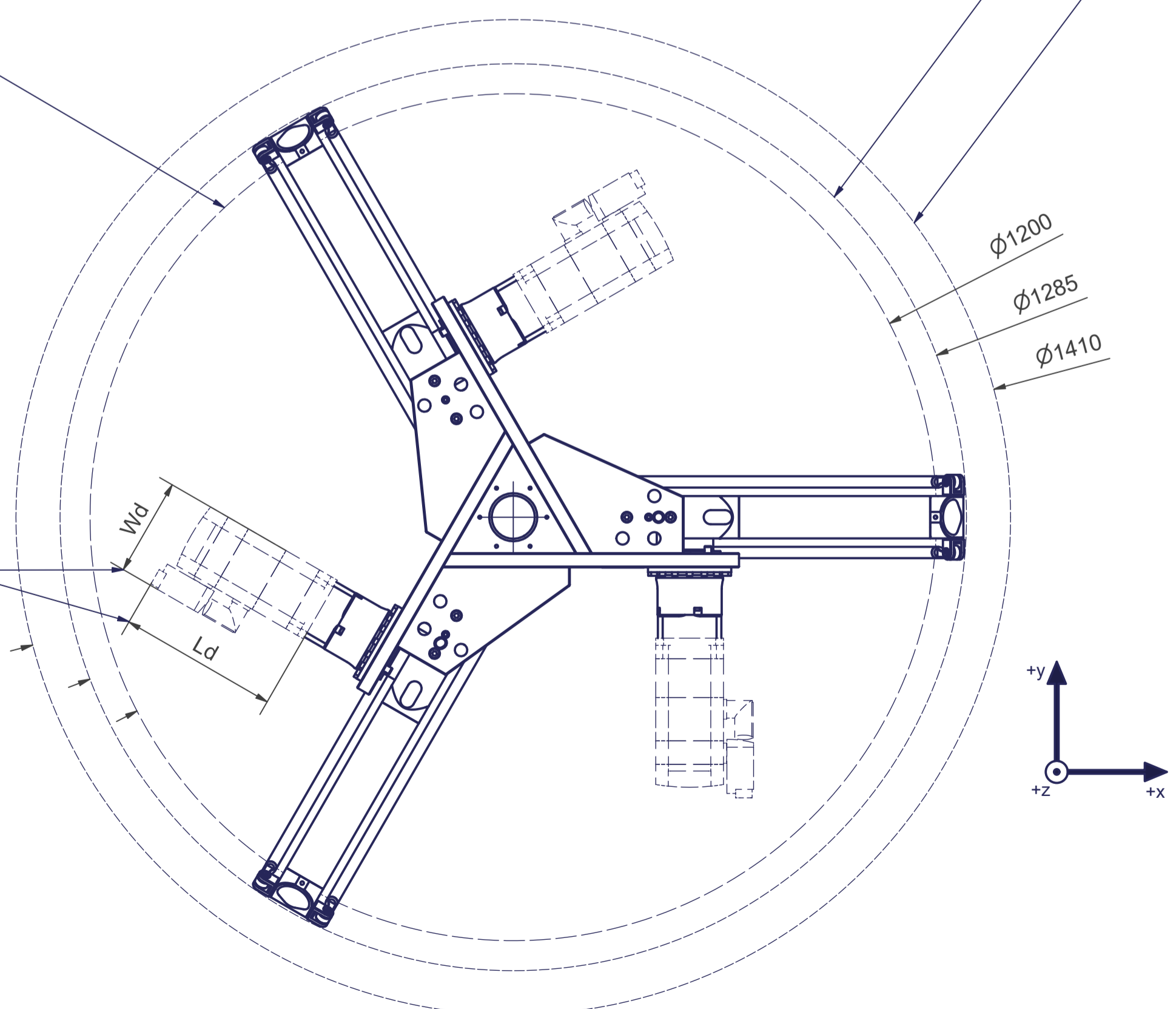


Tool Center Point
TCP (on the plane of the flange)

TCP - working range

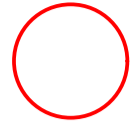

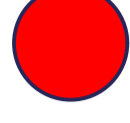


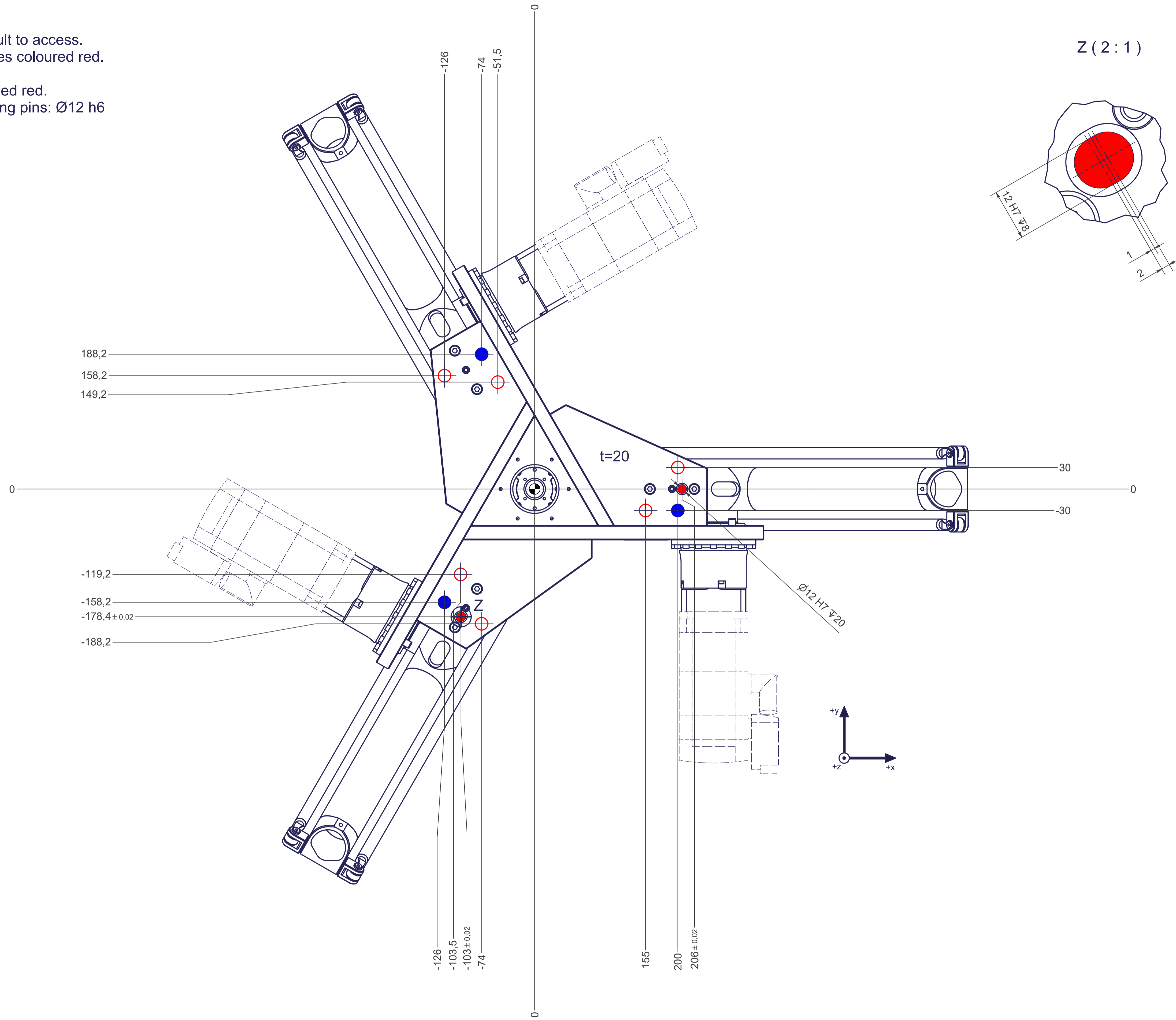
Connecting dimensions,
valid for article number A_00035-02

m= kg	A	p= bar
proj. storage surface = m²		v̇= l/min
First angle projection	P= kW	U= V / Hz / Ph
	U=	Imax= A

12 11 10 9 8 7 6 5 4 3 2 1

H
G
F
E
D
C
B
A

-  All fastening holes $\varnothing 17,5\text{mm}$ for screws M16 (DIN ISO 4014/4017 -8.8) without washer. Fastening holes are coloured red.
-  Fastening holes filled blue are difficult to access. We recommend using fastening holes coloured red.
-  Drilling holes for locating pins are filled red. Recommended dimensions of locating pins: $\varnothing 12\text{ h6}$



12 11 10 9 8 7 6 5 4 3 2 1