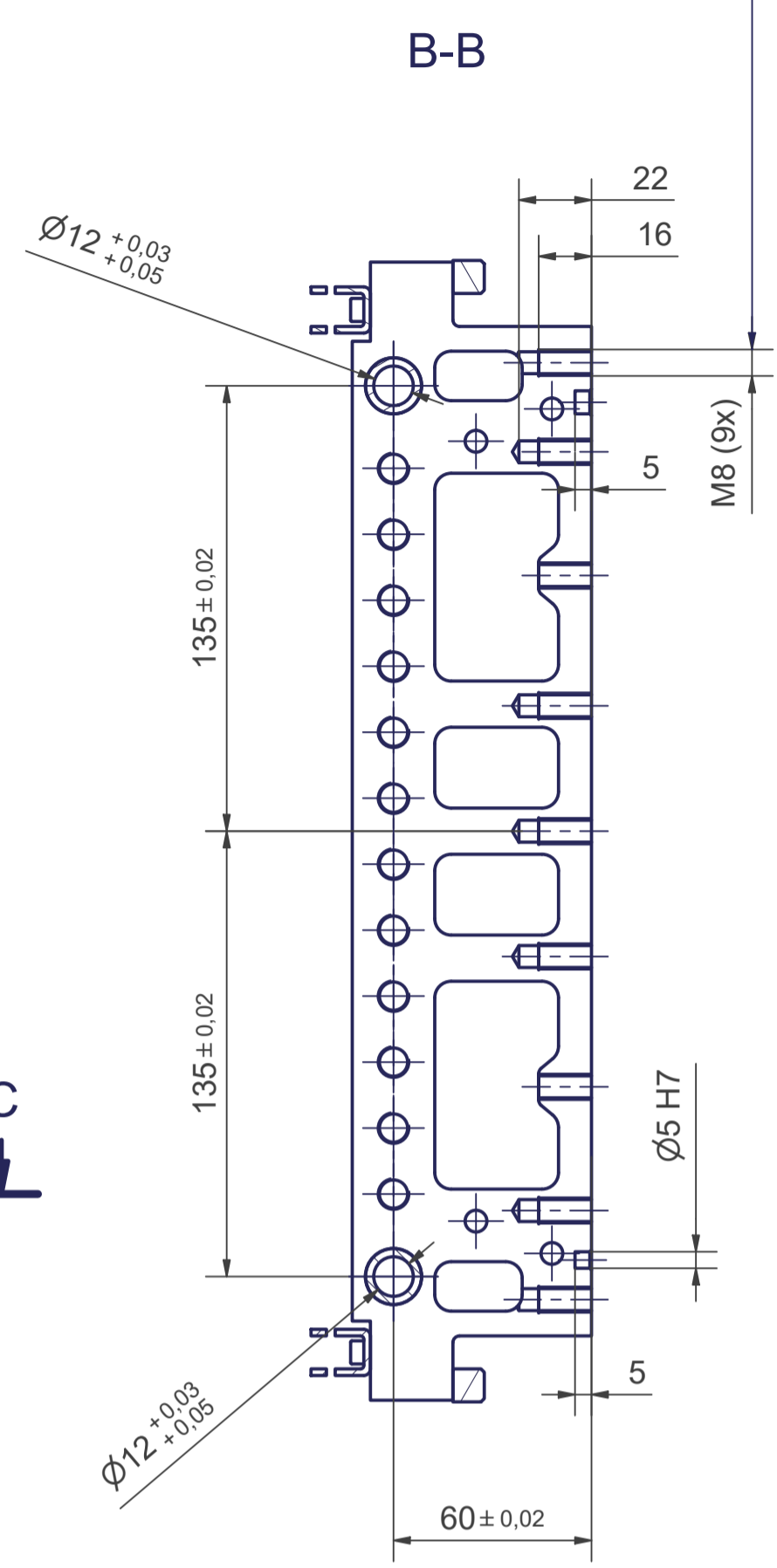
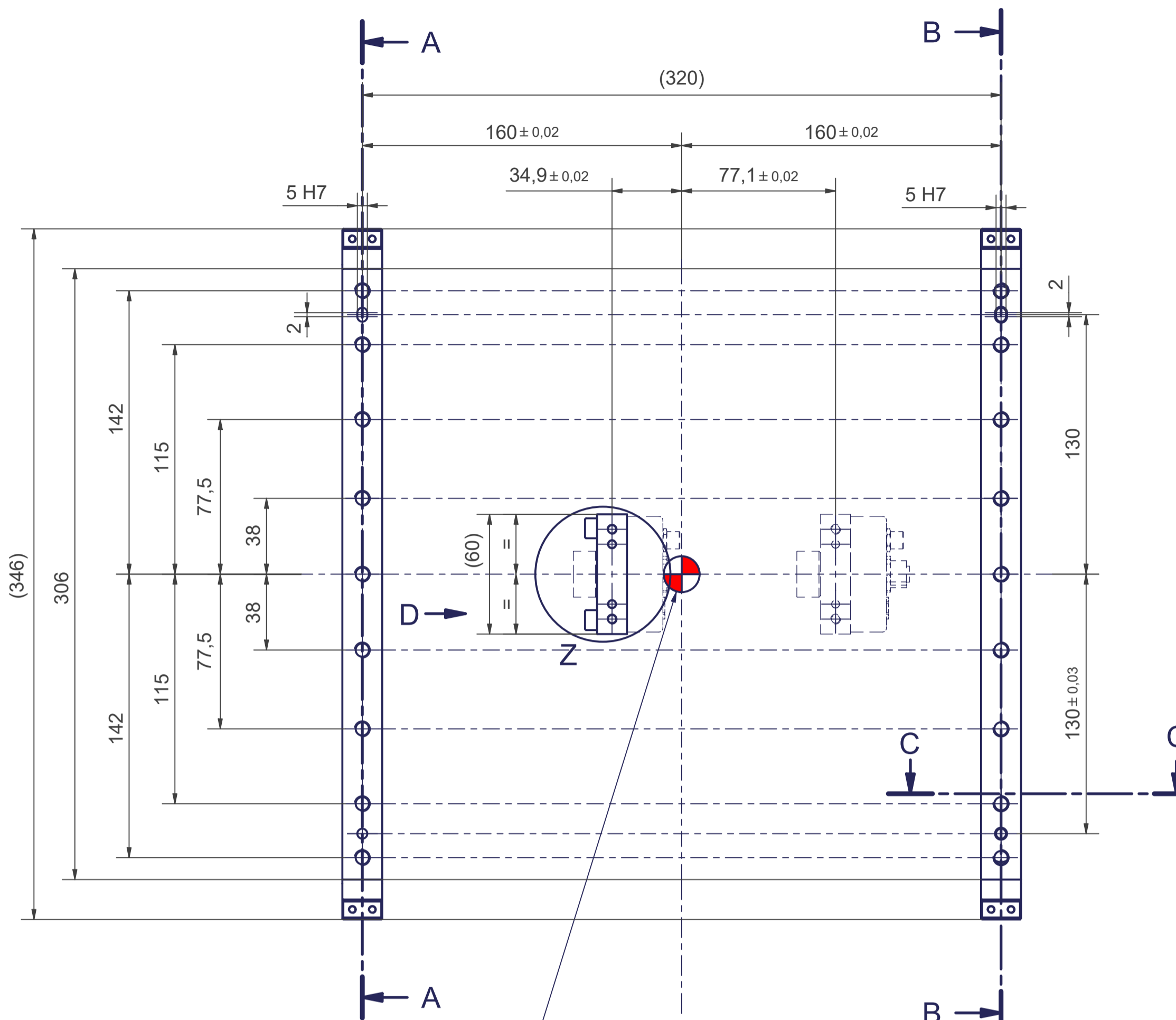
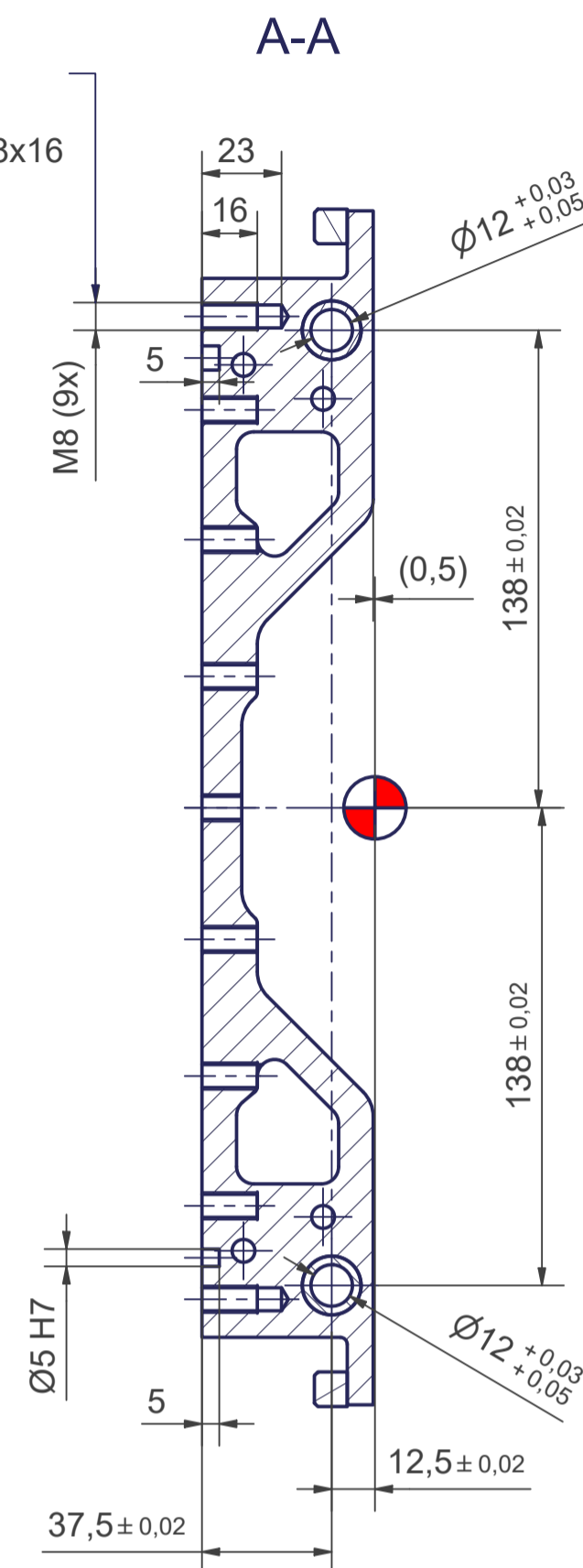
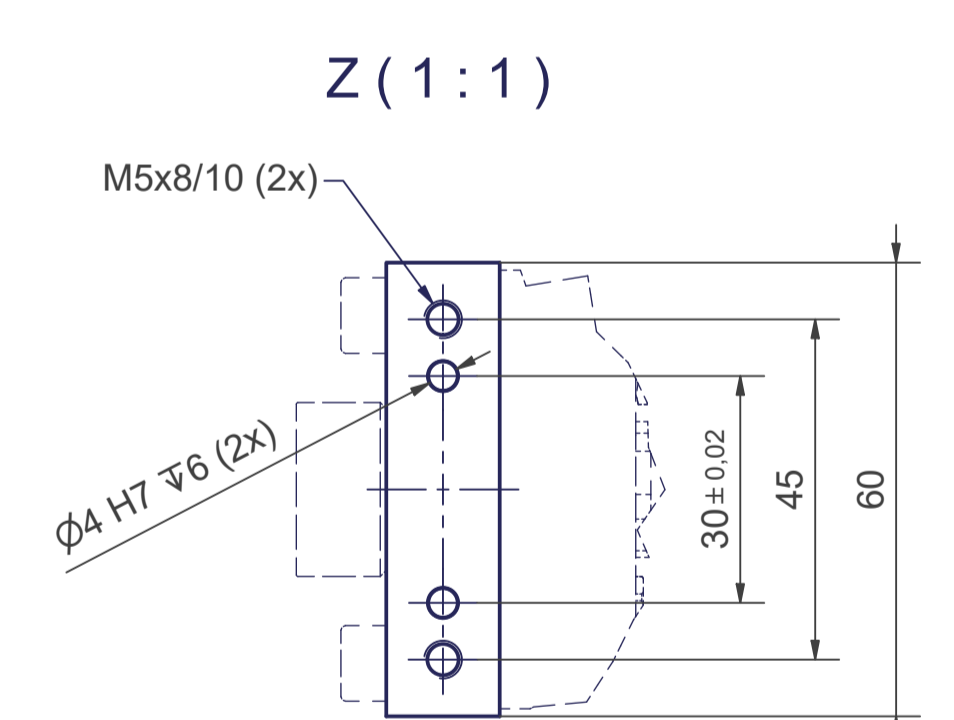
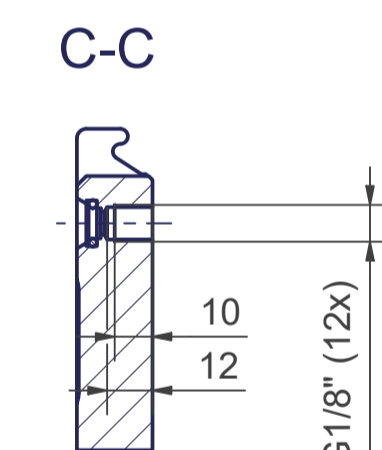
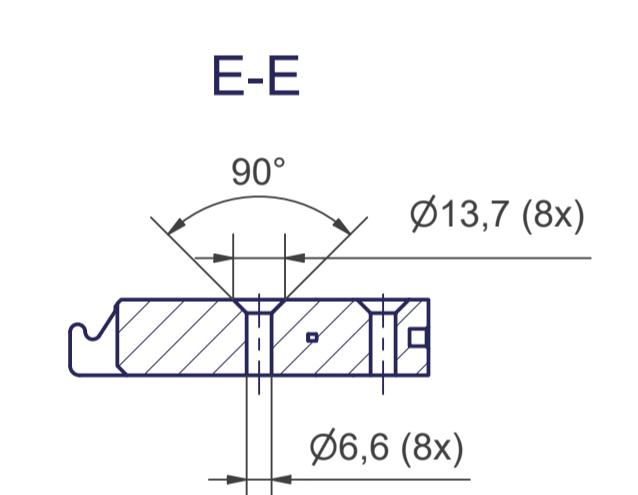
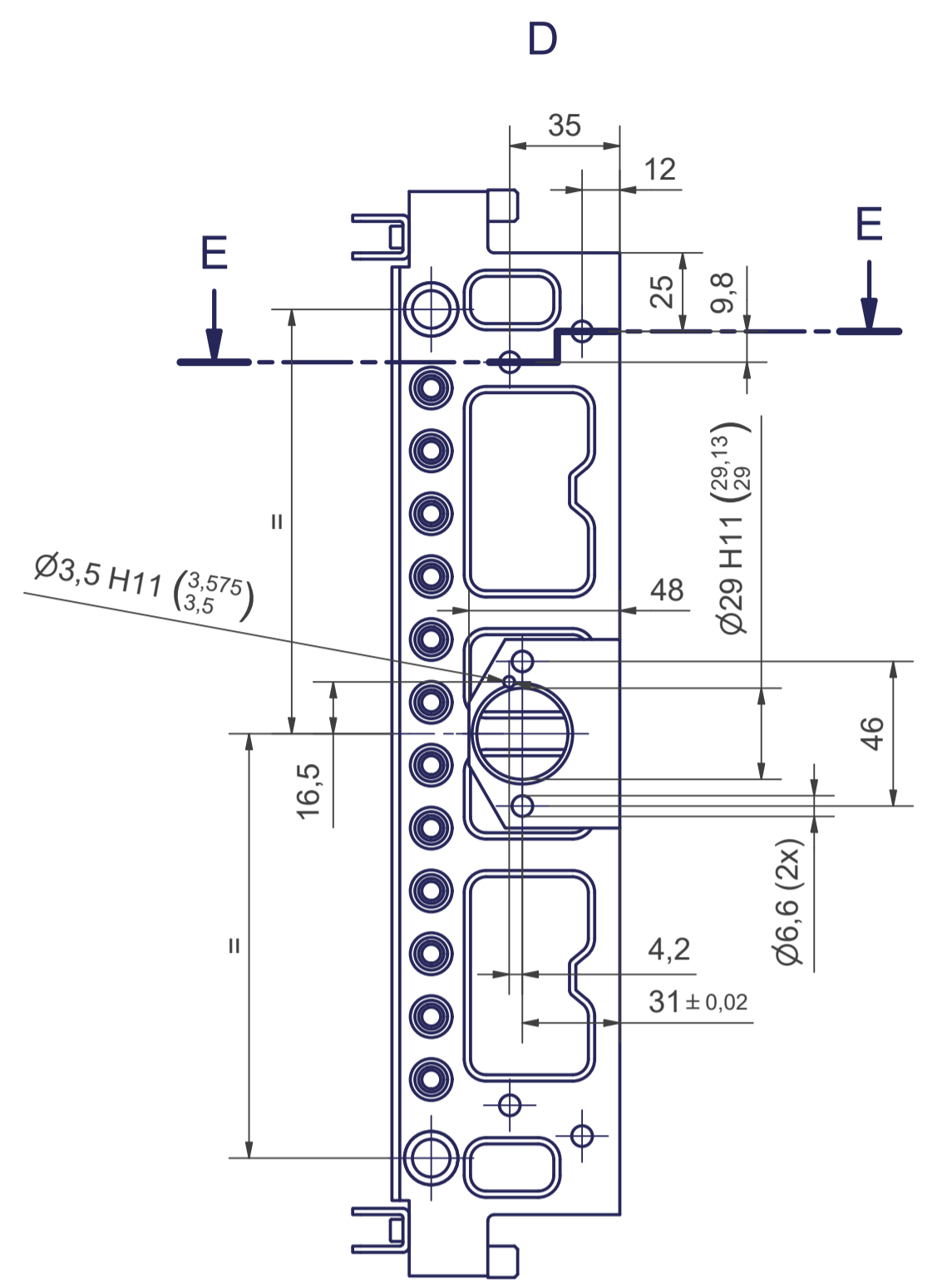


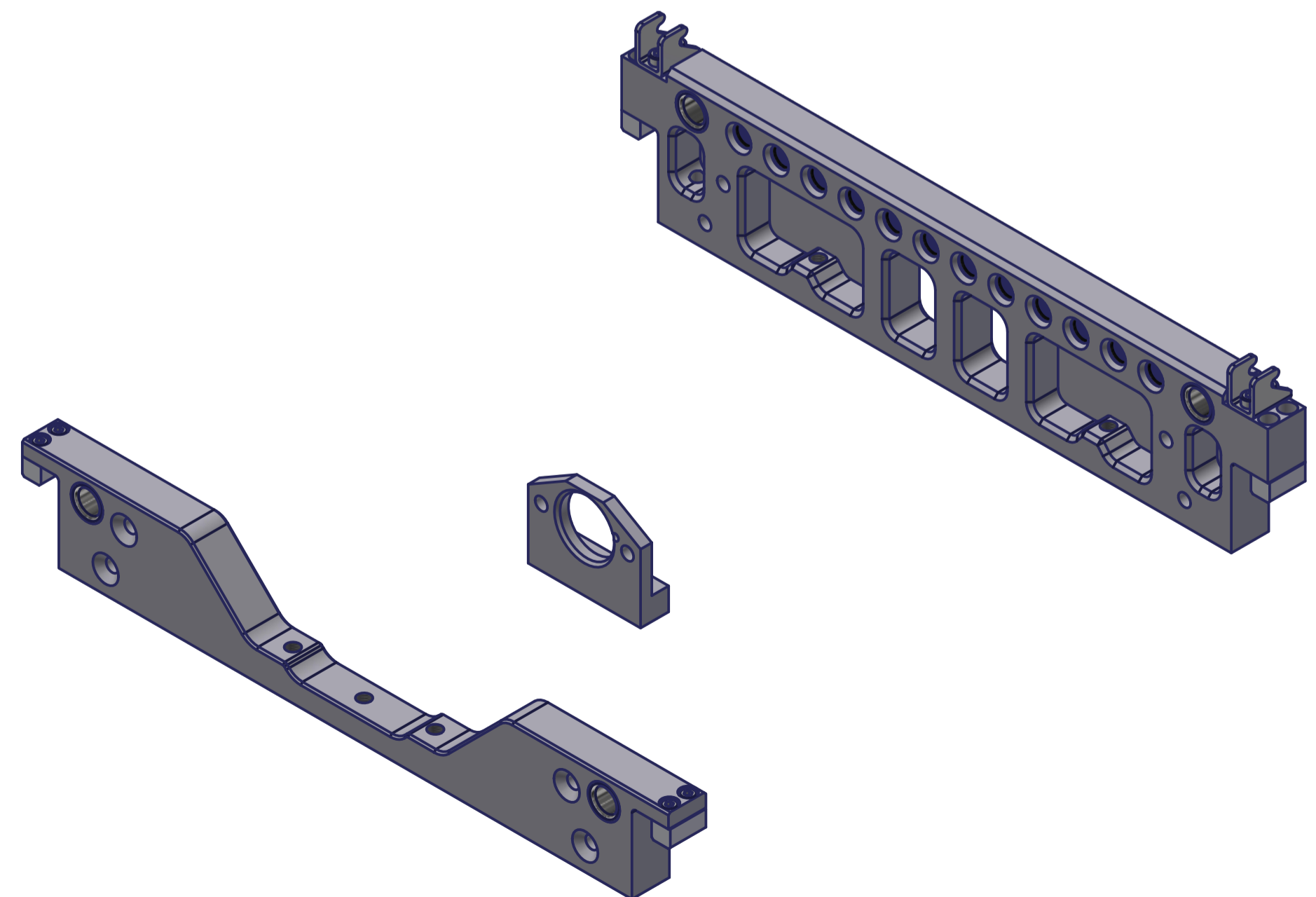
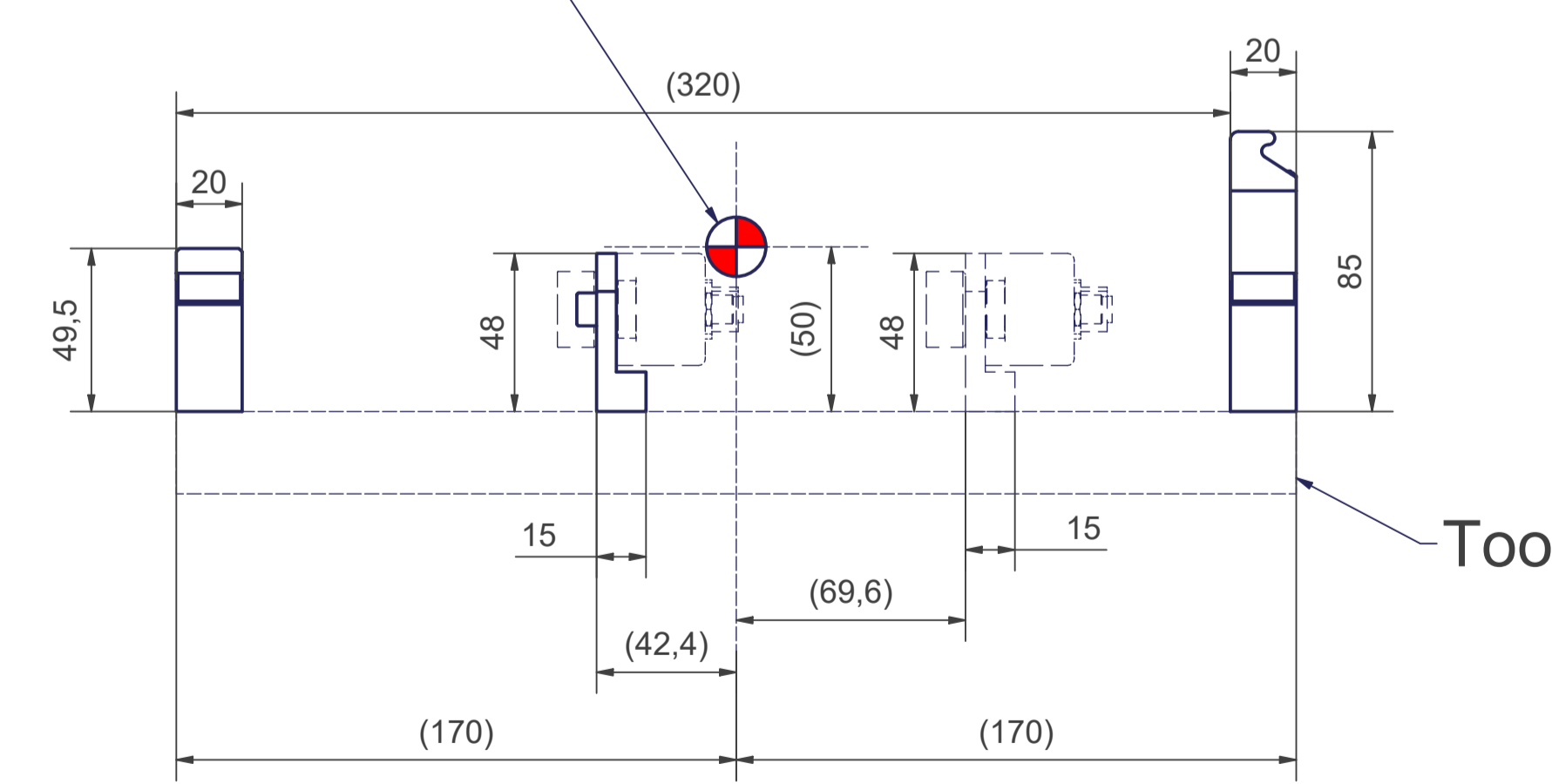
Helicoil Gewindeeinsätze - M8
Art.-Nr.: 4132 008 0016/10
HELICOIL Plus Screwlock A2 M8x16



Helicoil Gewindeeinsätze - M8
Art.-Nr.: 4132 008 0016/10
HELICOIL Plus Screwlock A2 M8x16



TCP of the robot mechanics
referring to the document
"Connecting_dimensions".



Mass (without customer attachment parts) = 1,41 kg

m= kg	A	p= bar
proj. storage surface = m²		∇= l/min
First angle projection	P= kW	
	U= V / Hz / Ph	
	Imax= A	

Connecting dimensions,
valid for article number MT_BGR00106338