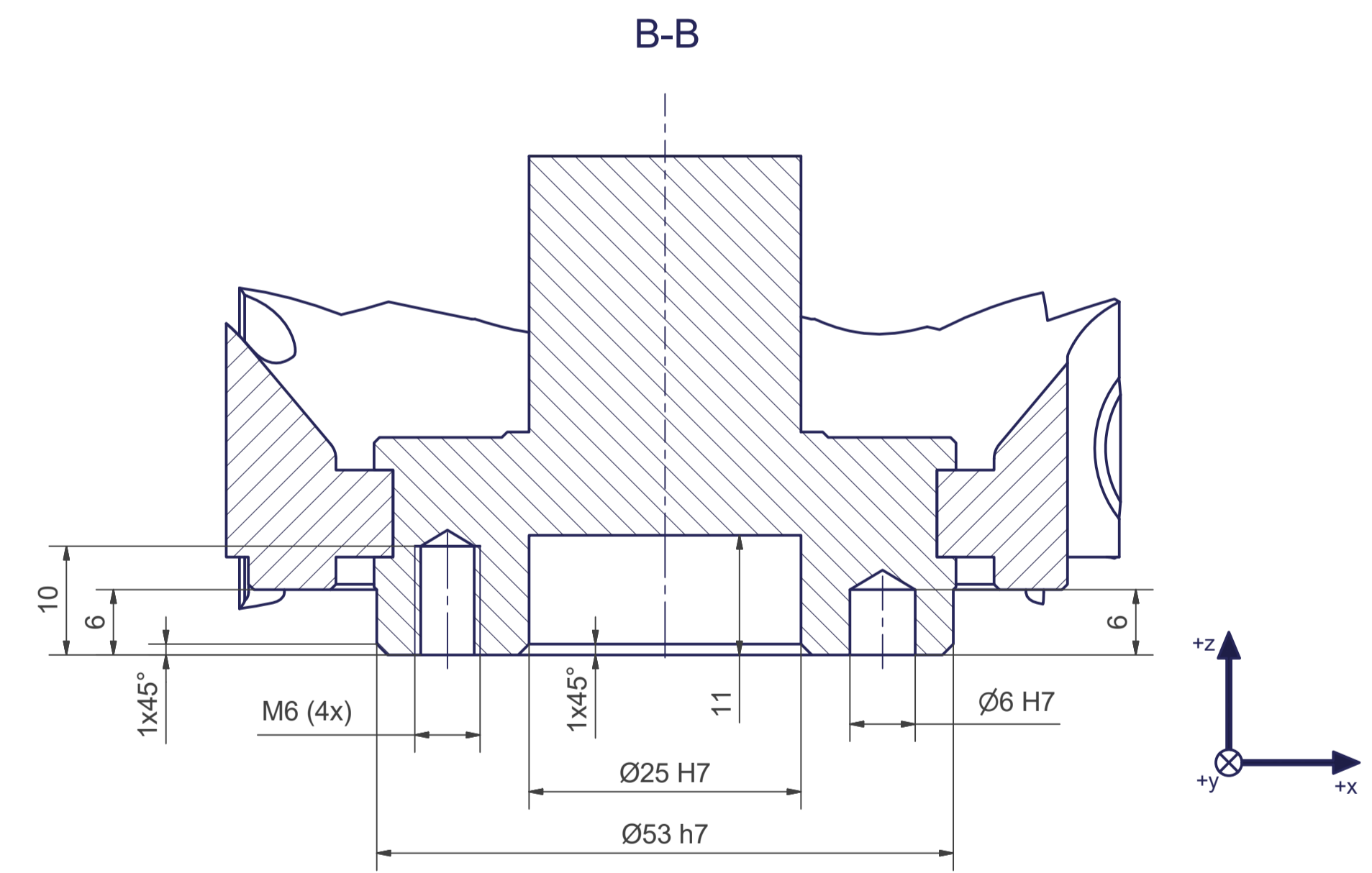
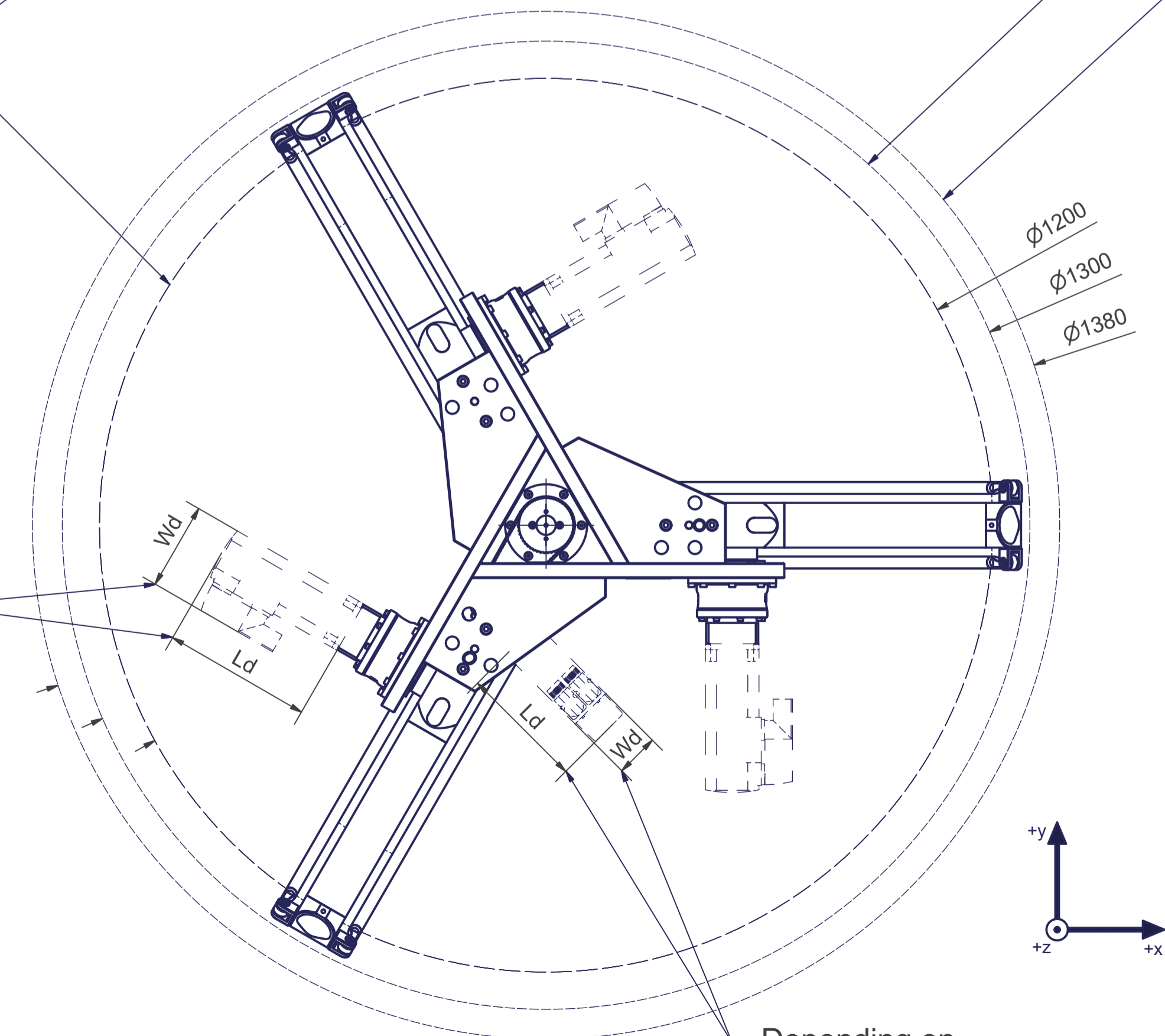


Tool Center Point  
TCP (on the plane of the flange)

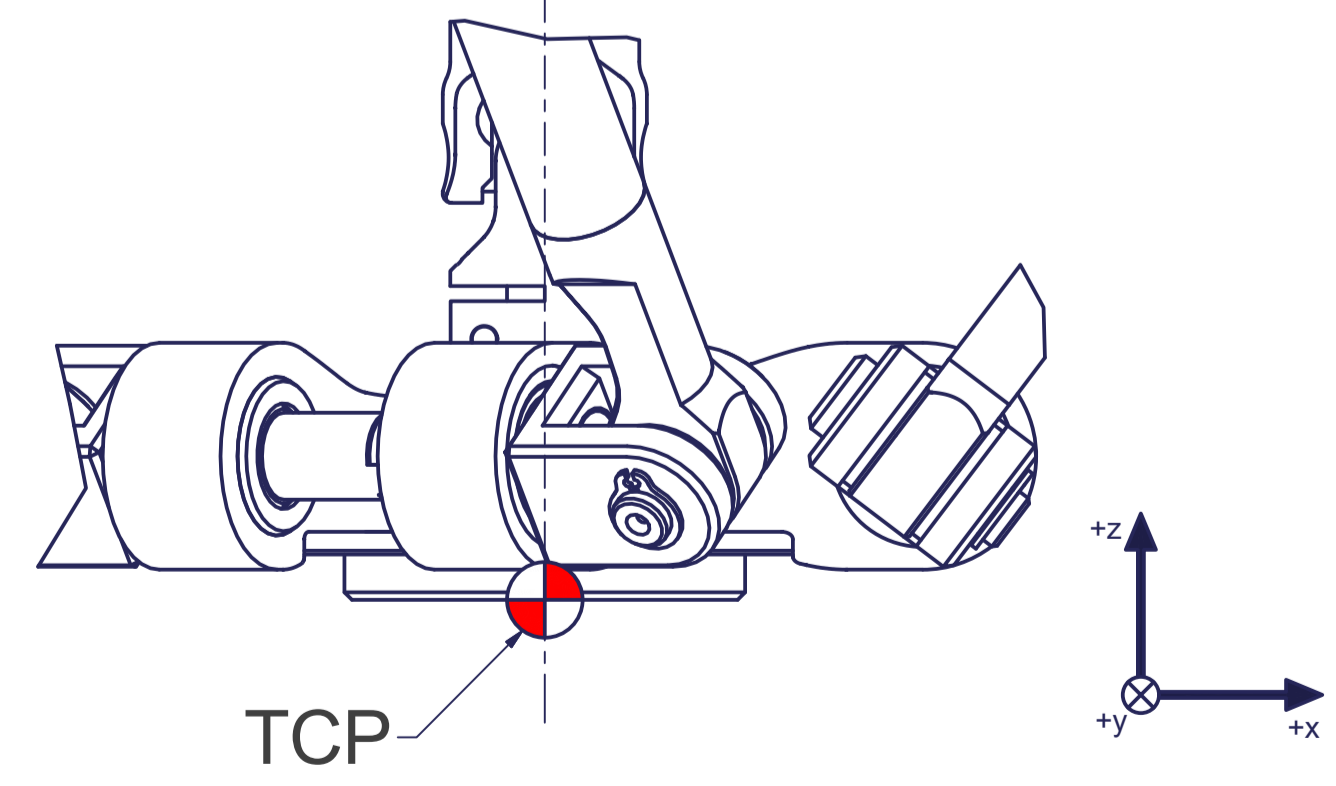
TCP - working range

Interference contour  
from machine body

Maximum interference  
contour



Z (1:1)





Depending on  
the drive type

Depending on  
the drive type

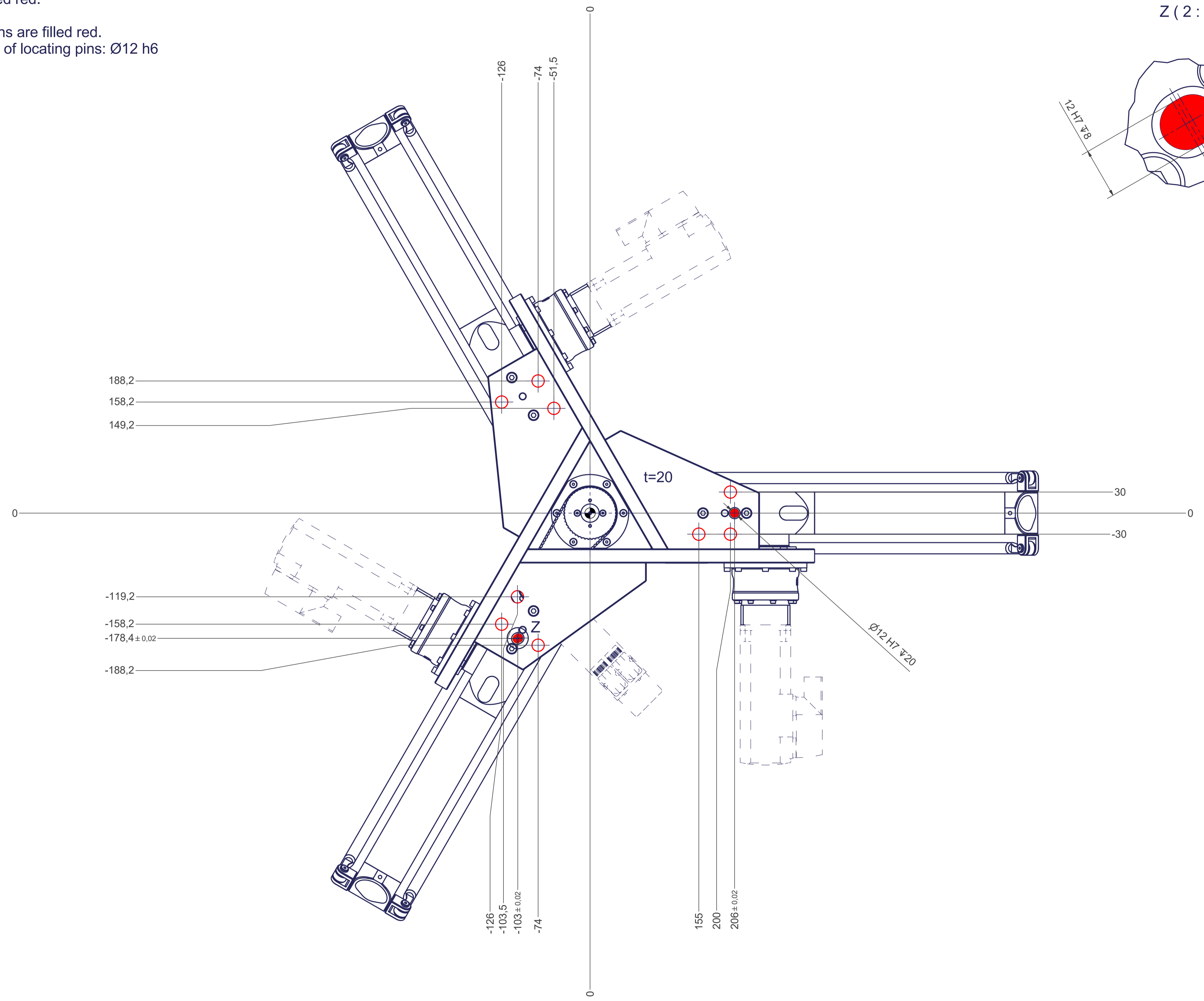
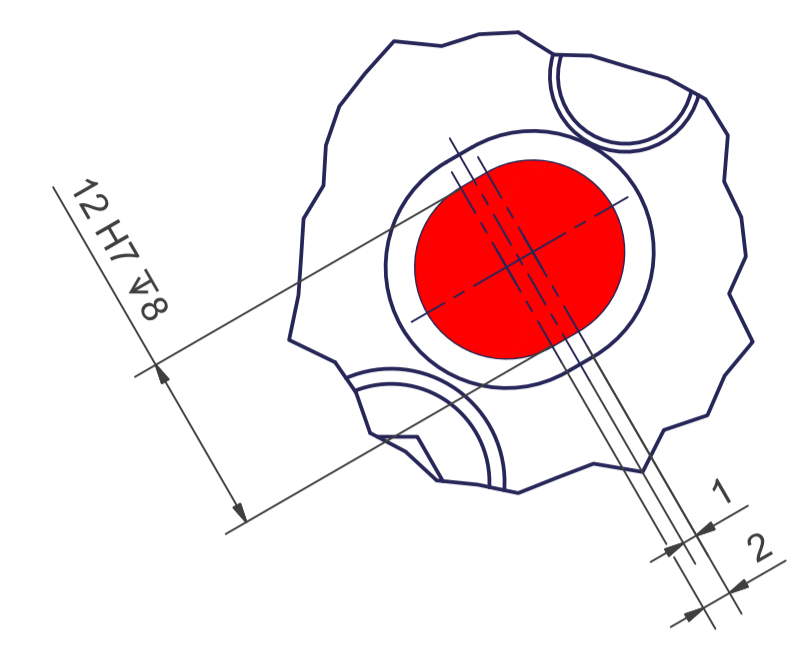
Connecting dimensions,  
valid for article number A\_00042-03

m= kg	A	p= bar
proj. storage surface = m²		v̇= l/min
First angle projection	P= kW	
	U= V / Hz / Ph	
	Imax= A	

12 11 10 9 8 7 6 5 4 3 2 1

-  All fastening holes  $\text{Ø}17,5$  mm for screws M16 (DIN ISO 4014/4017 -8.8) without washers. Fastening holes are coloured red.
-  Drilling holes for locating pins are filled red. Recommended dimensions of locating pins:  $\text{Ø}12$  h6

Z (2:1)



12 11 10 9 8 7 6 5 4 3 2 1