

Connecting dimensions, valid for article number AL_00016

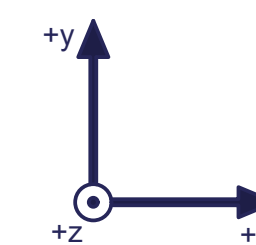
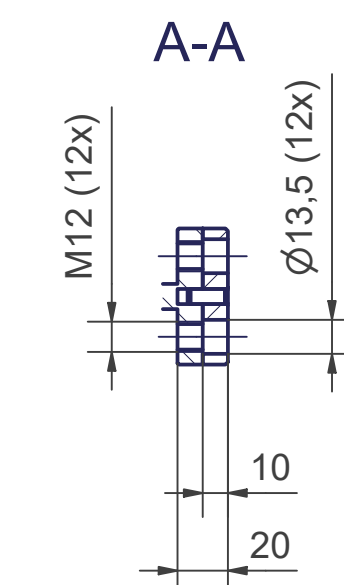
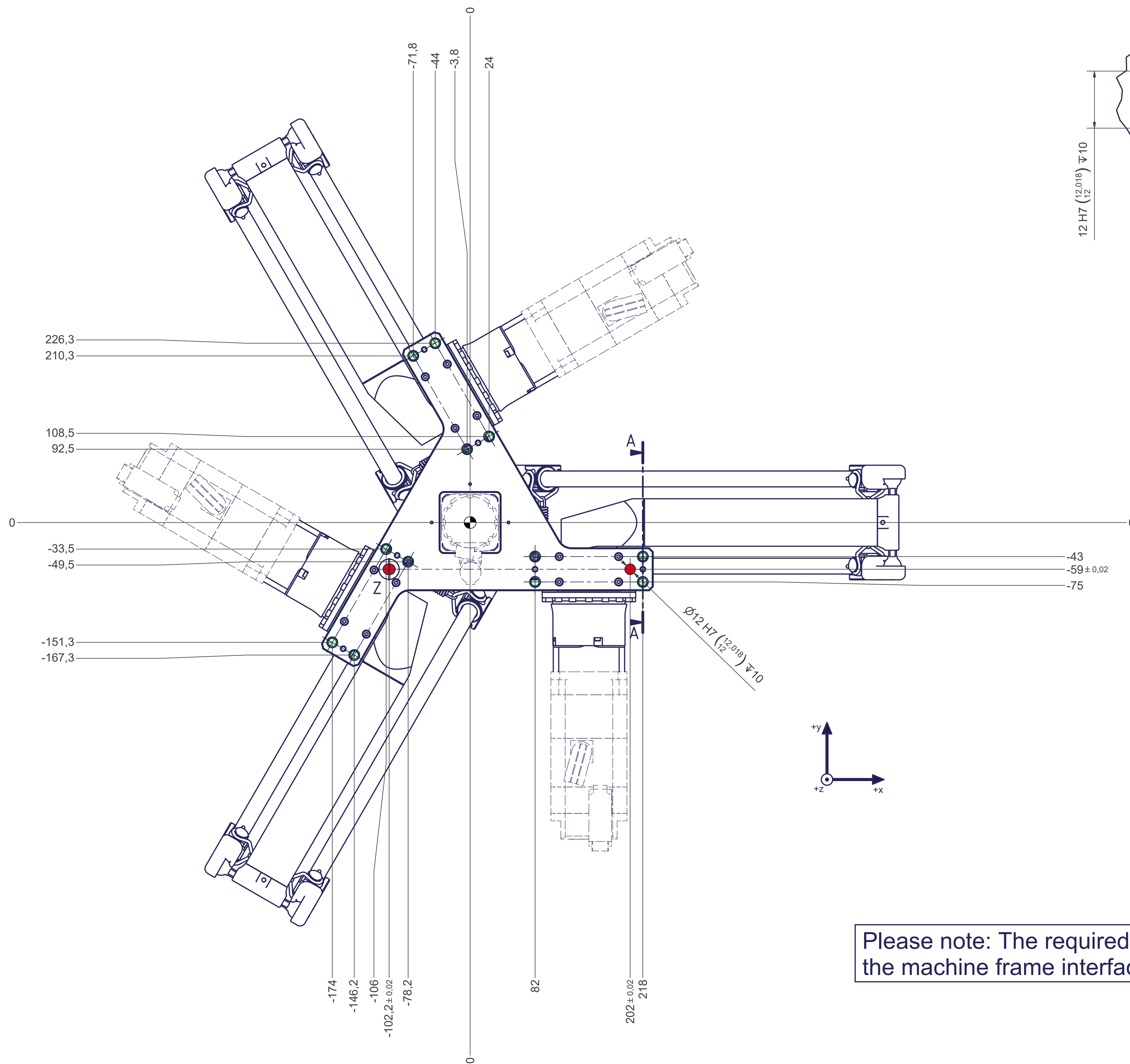
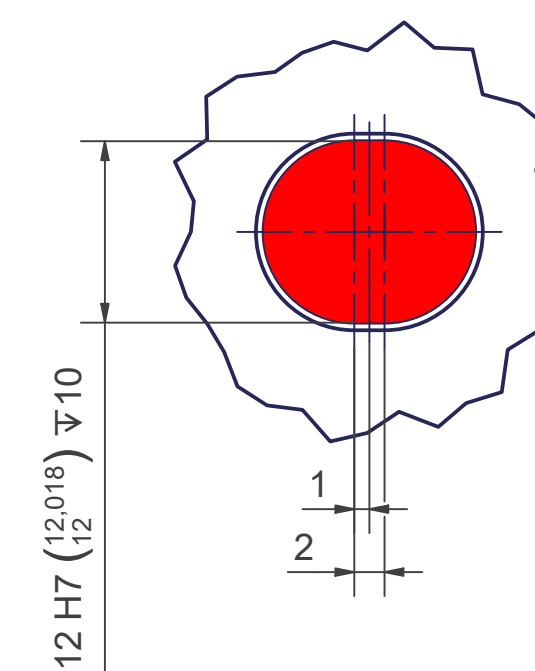
m= kg	A	p= bar
proj. storage surface = m²		v= l/min
First angle projection	P= kW	U= V / Hz / Ph
	U=	
	Imax= A	
		autonox lean line
		AL_00016

12 11 10 9 8 7 6 5 4 3 2 1

○ Thread holes for screws M12 are coloured green.
The tightening torque for these screws (strength class 8.8) is 41 Nm.

● Drilling holes for location pins are filled red.
Recommended dimensions for locating pins: $\varnothing 12$ h8 ($\begin{smallmatrix} 12 \\ 11,973 \end{smallmatrix}$)

Z (2:1)



Please note: The required flatness of the machine frame interface is 0,1mm.

12 11 10 9 8 7 6 5 4 3 2 1