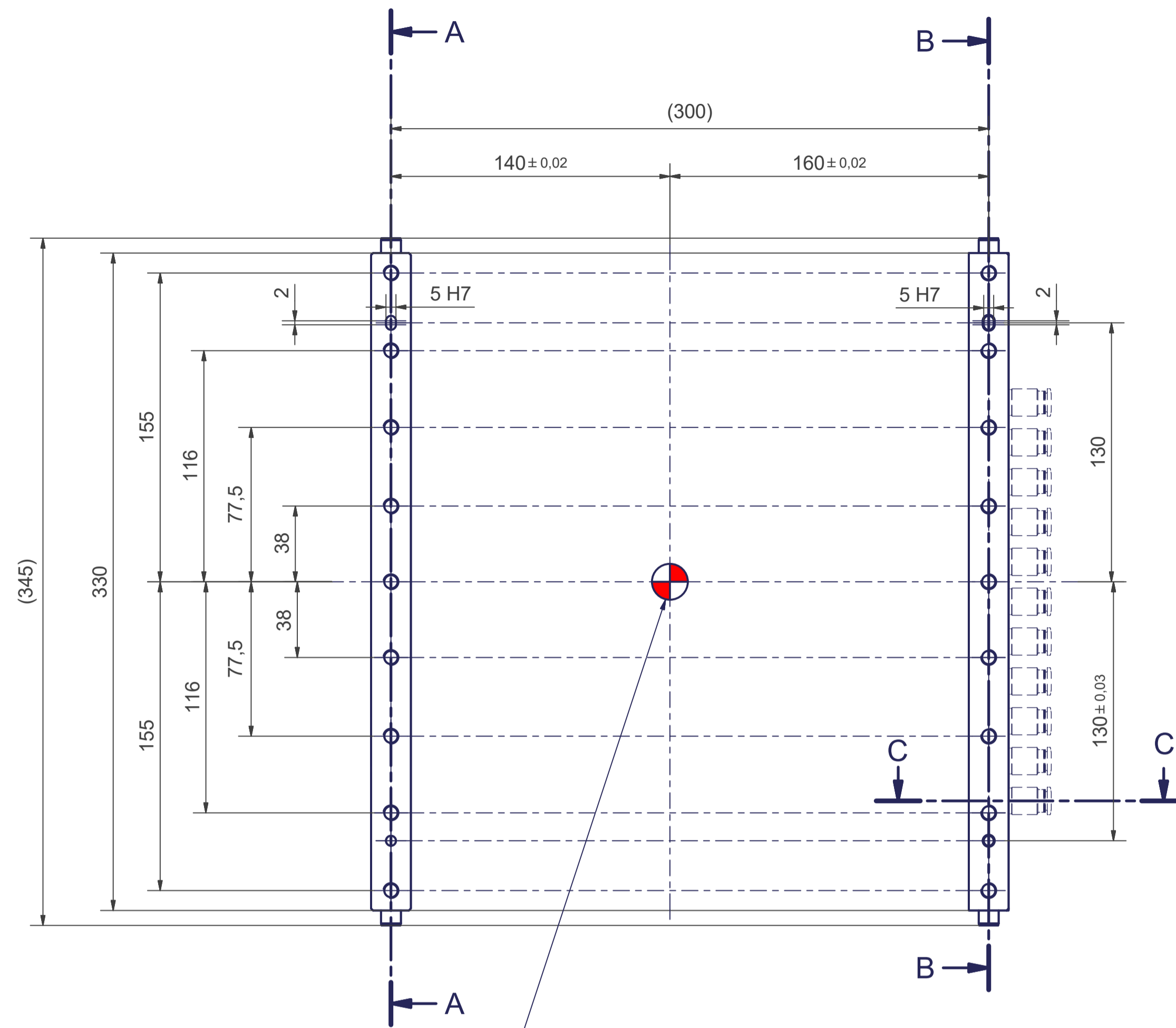
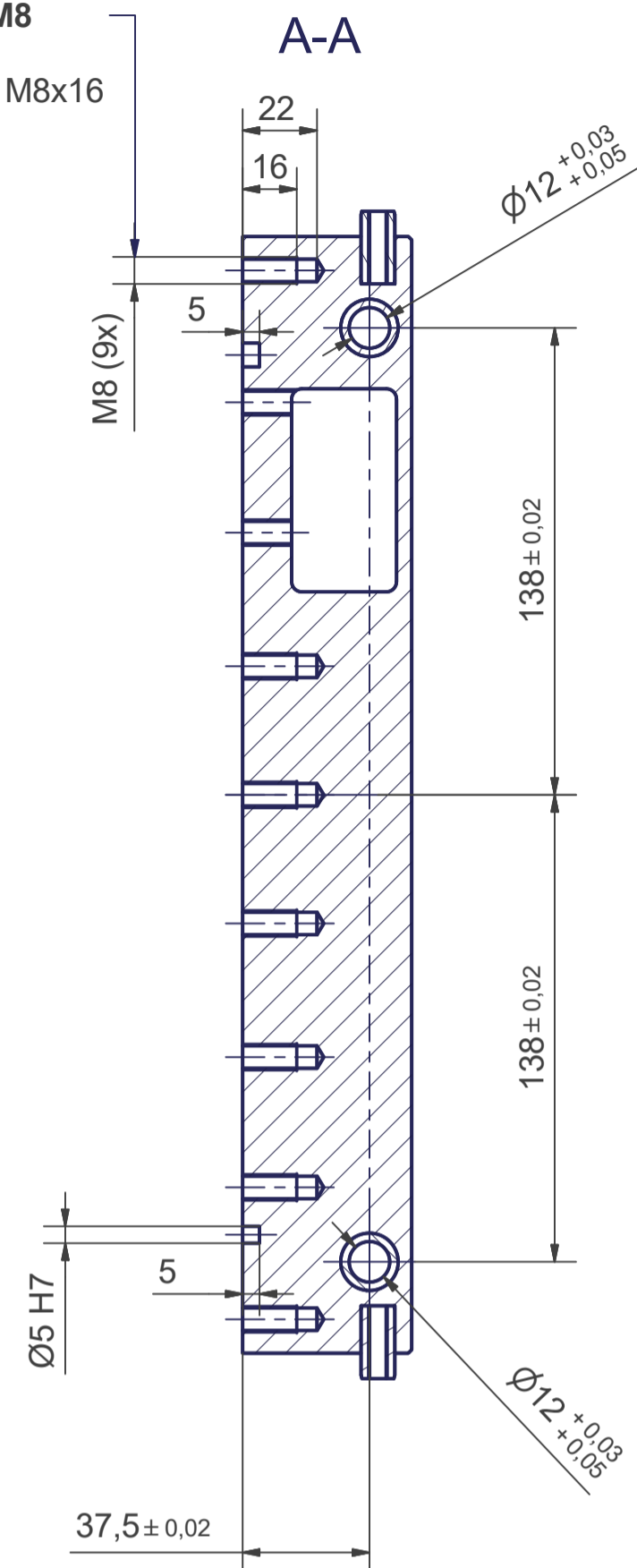


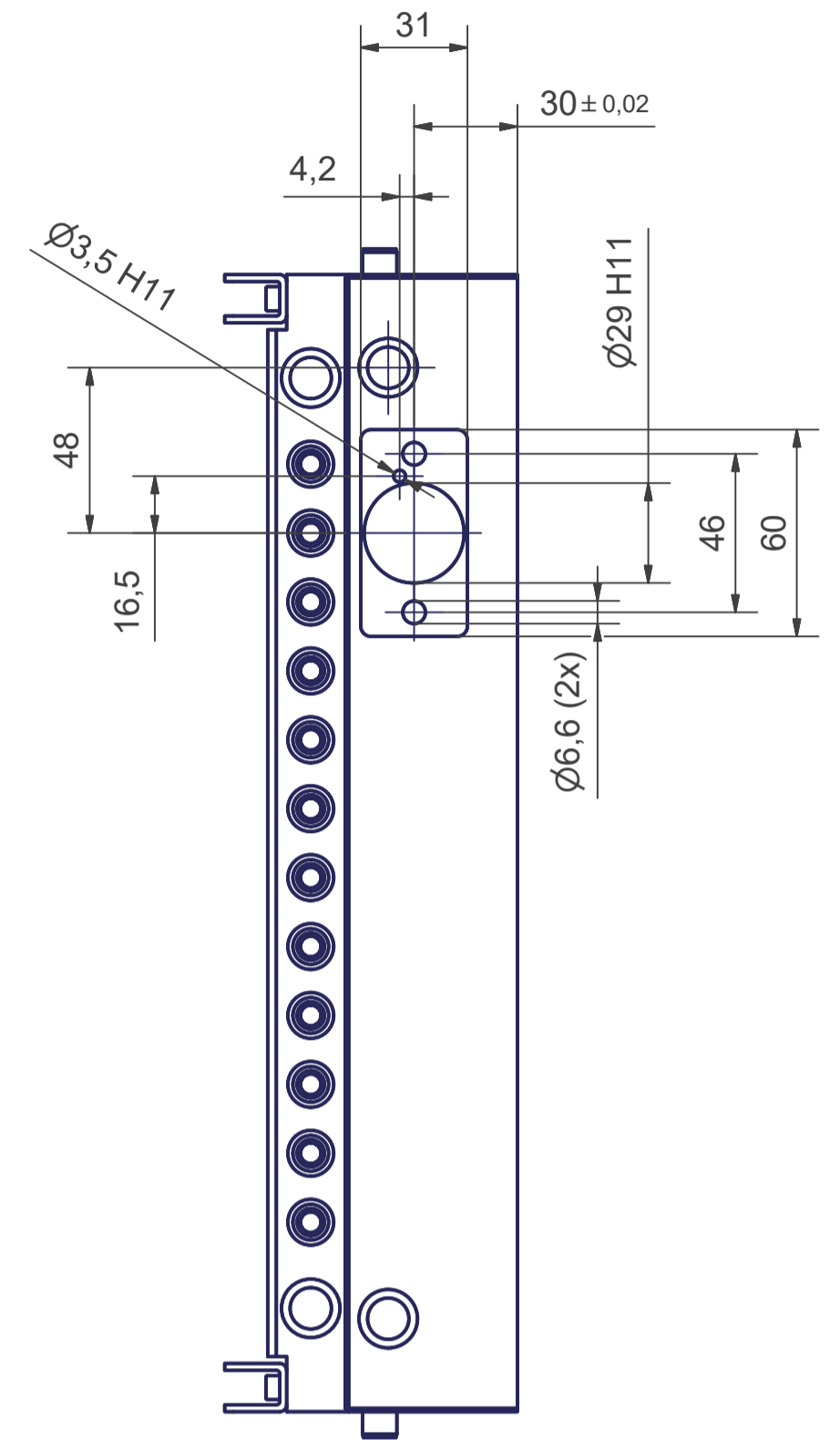
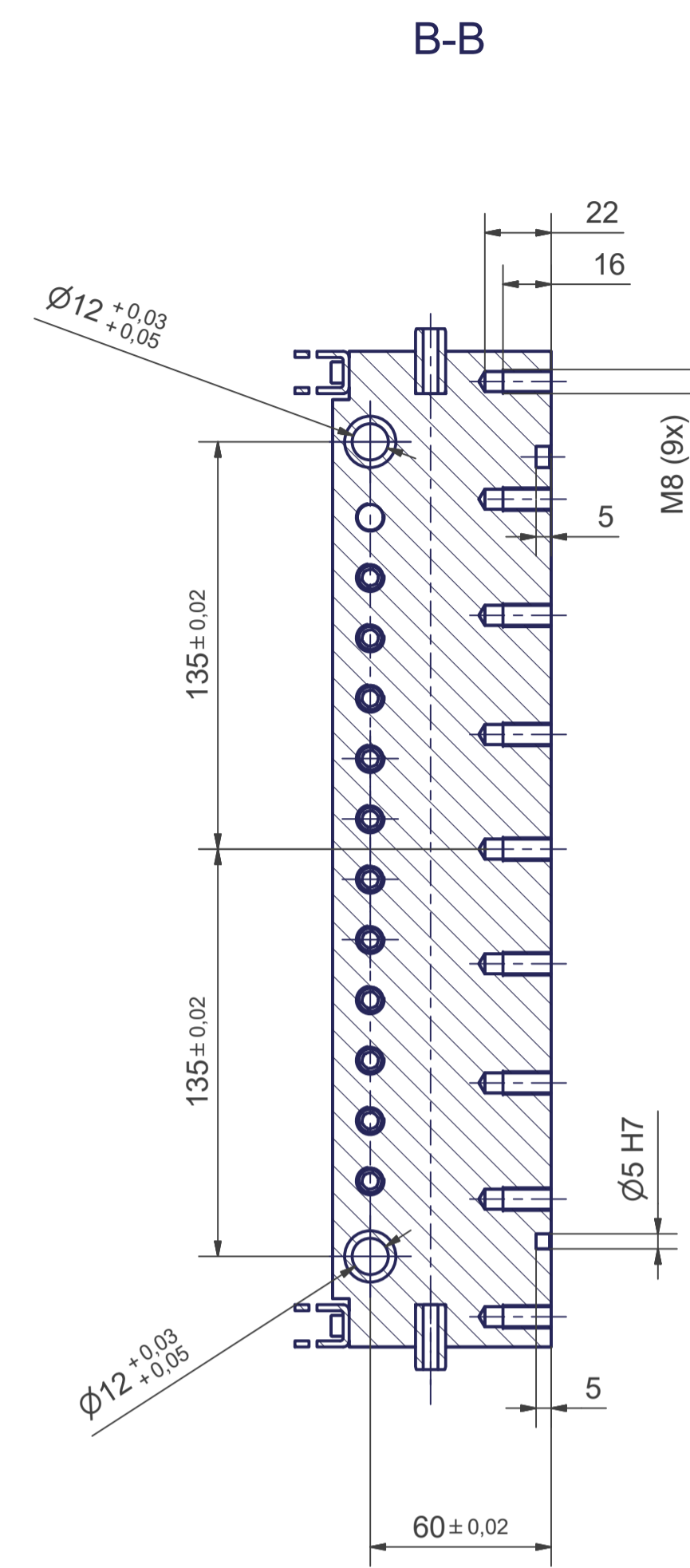
12 11 10 9 8 7 6 5 4 3 2 1

H G F E D C B A

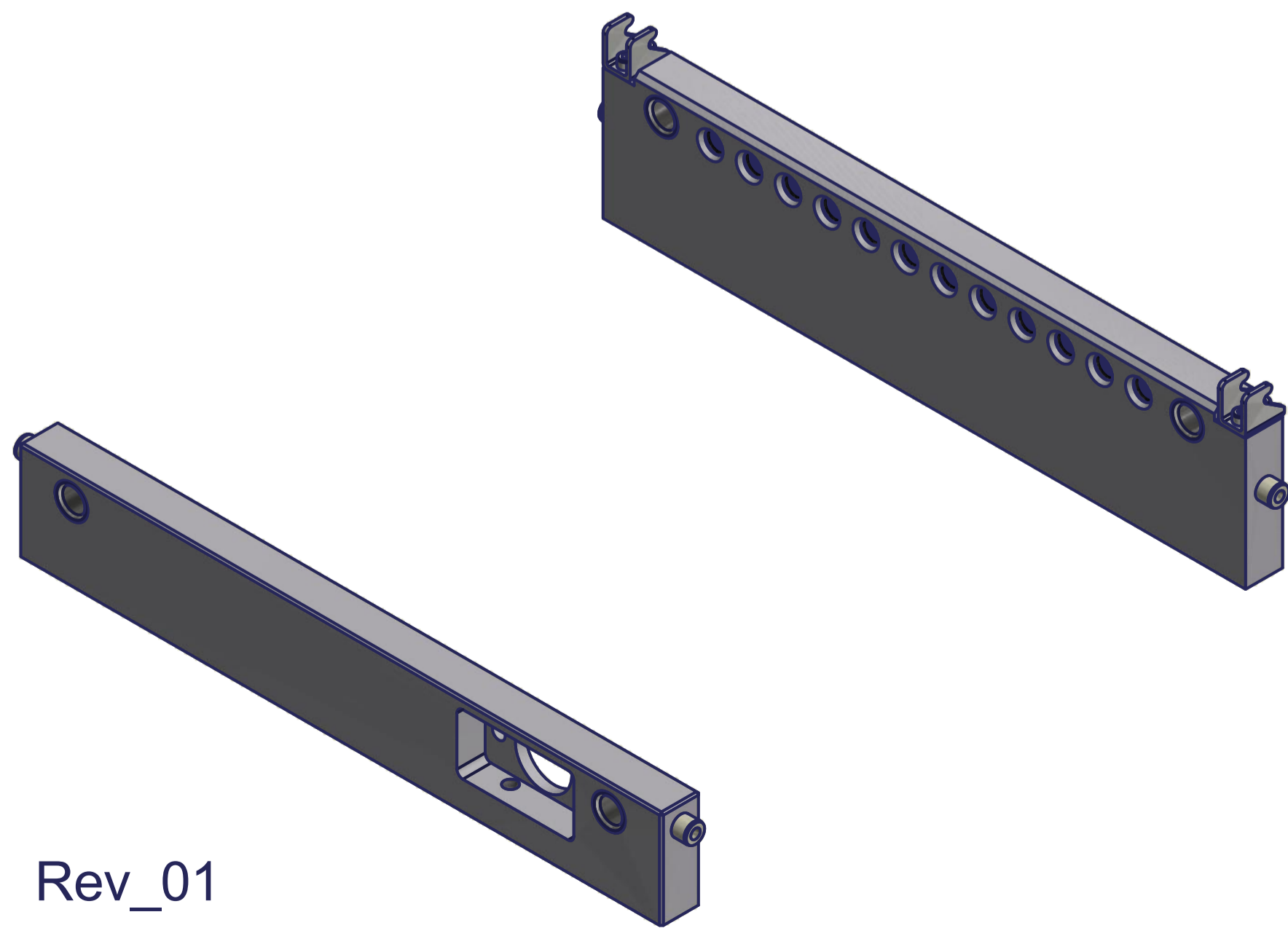
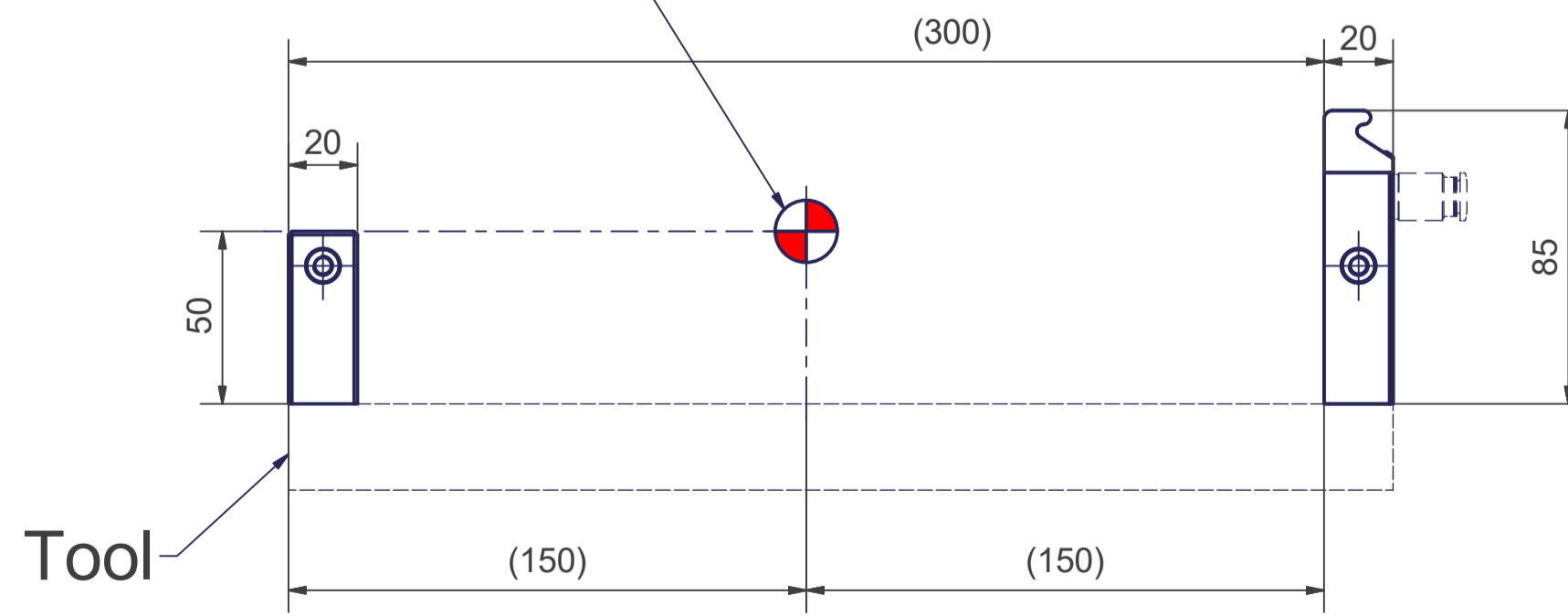
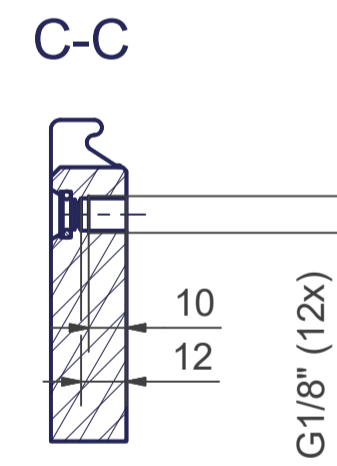
Helicoil Gewindeeinsätze - M8
 Art.-Nr.: 4132 008 0016/10
 HELICOIL Plus Screwlock A2 M8x16



Helicoil Gewindeeinsätze - M8
 Art.-Nr.: 4132 008 0016/10
 HELICOIL Plus Screwlock A2 M8x16



TCP of the robot mechanics
 referring to the document
 "Connecting_dimensions".



Mass (without customer attachment parts) = 2 kg

m= kg	A	p= bar
proj. storage surface = m²		v̇= l/min
First angle projection	P= kW	U= V / Hz / Ph
	U=	I _{max} = A

Connecting dimensions,
 valid for article number MT_BGR00105615

Rev_01

MT_BGR00105615

12 11 10 9 8 7 6 5 4 3 2 1

