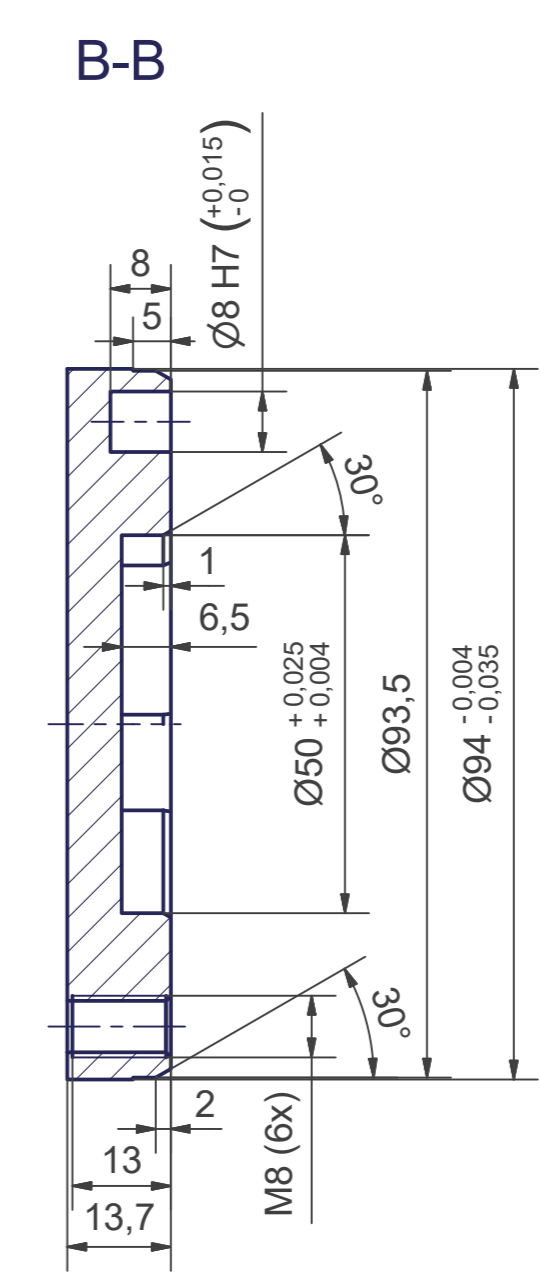
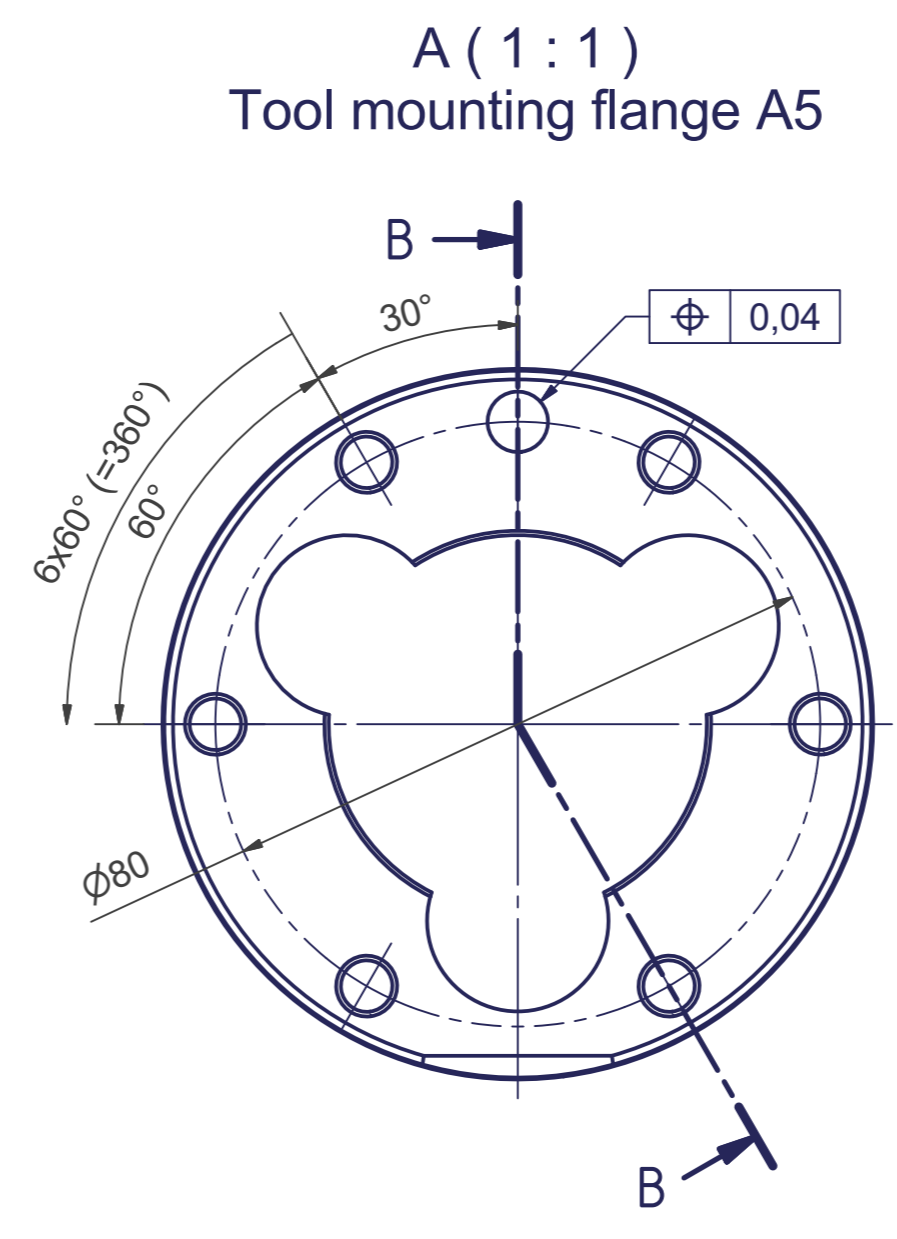
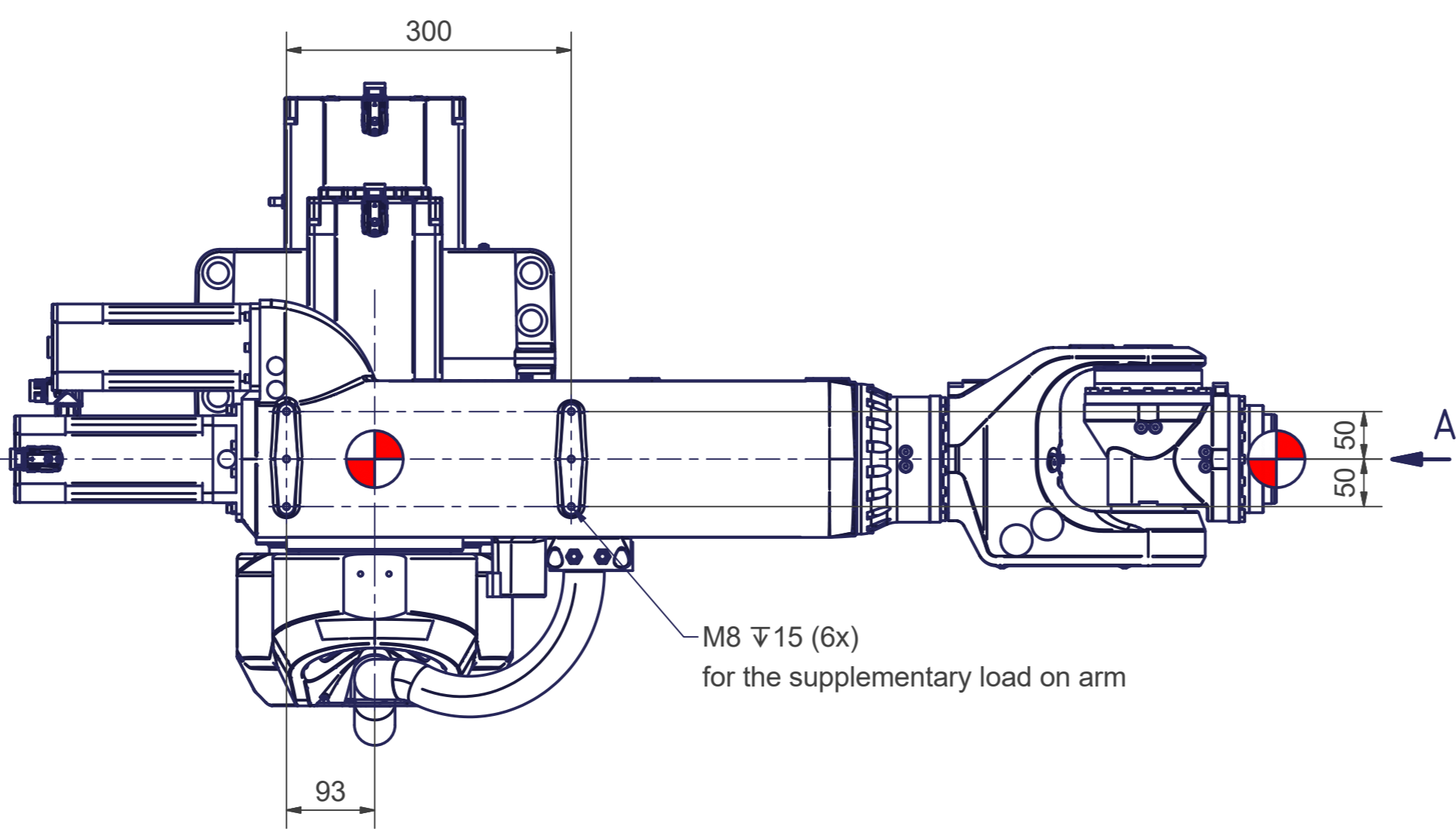


artic5-1759-60kg	
Axes	5
Payload (on TCP)	60 kg
Supplementary load on arm	40 kg
Reach	1759 mm
Mounting position	Angle, Ceiling, Floor, Wall

Motion	
Axes	Range fully usable
A1	± 120°
A2	- 184° / + 67°
A3	± 360°
A4	± 120°
A5	± 360°

More information can be found in the document "calibration dimensions"



Connecting dimensions, valid for article number: AT\_10005

