

Connecting dimensions,  
valid for article number AL\_00015

m= kg	A	p= bar
proj. storage surface = m²		v̇= l/min
First angle projection	P= kW	
	U= V / Hz / Ph	
	Imax= A	
		<b>autonox</b> lean line

12

11

10

9

8

7

6


5

4

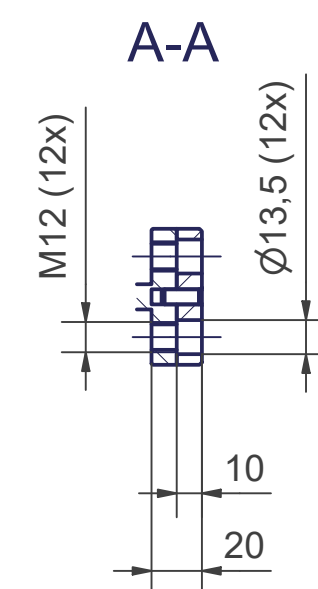
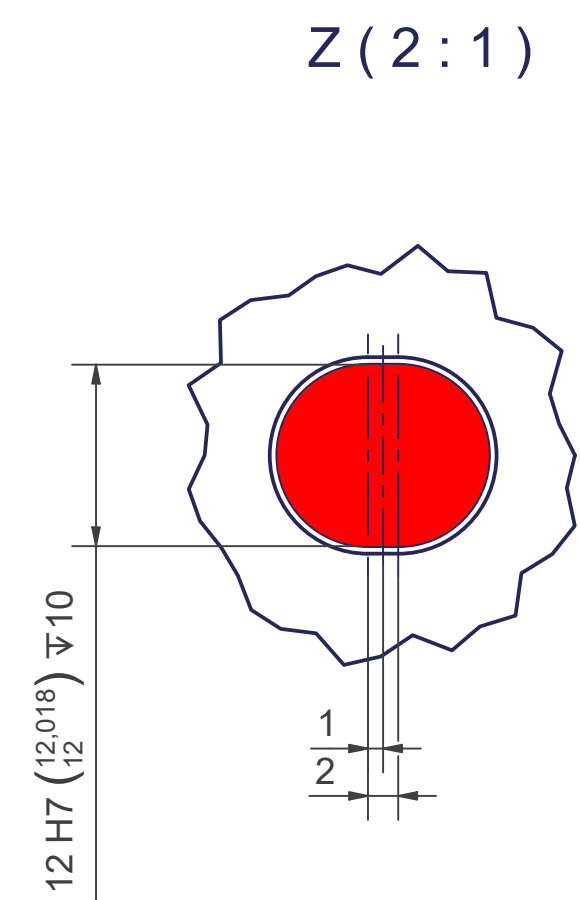
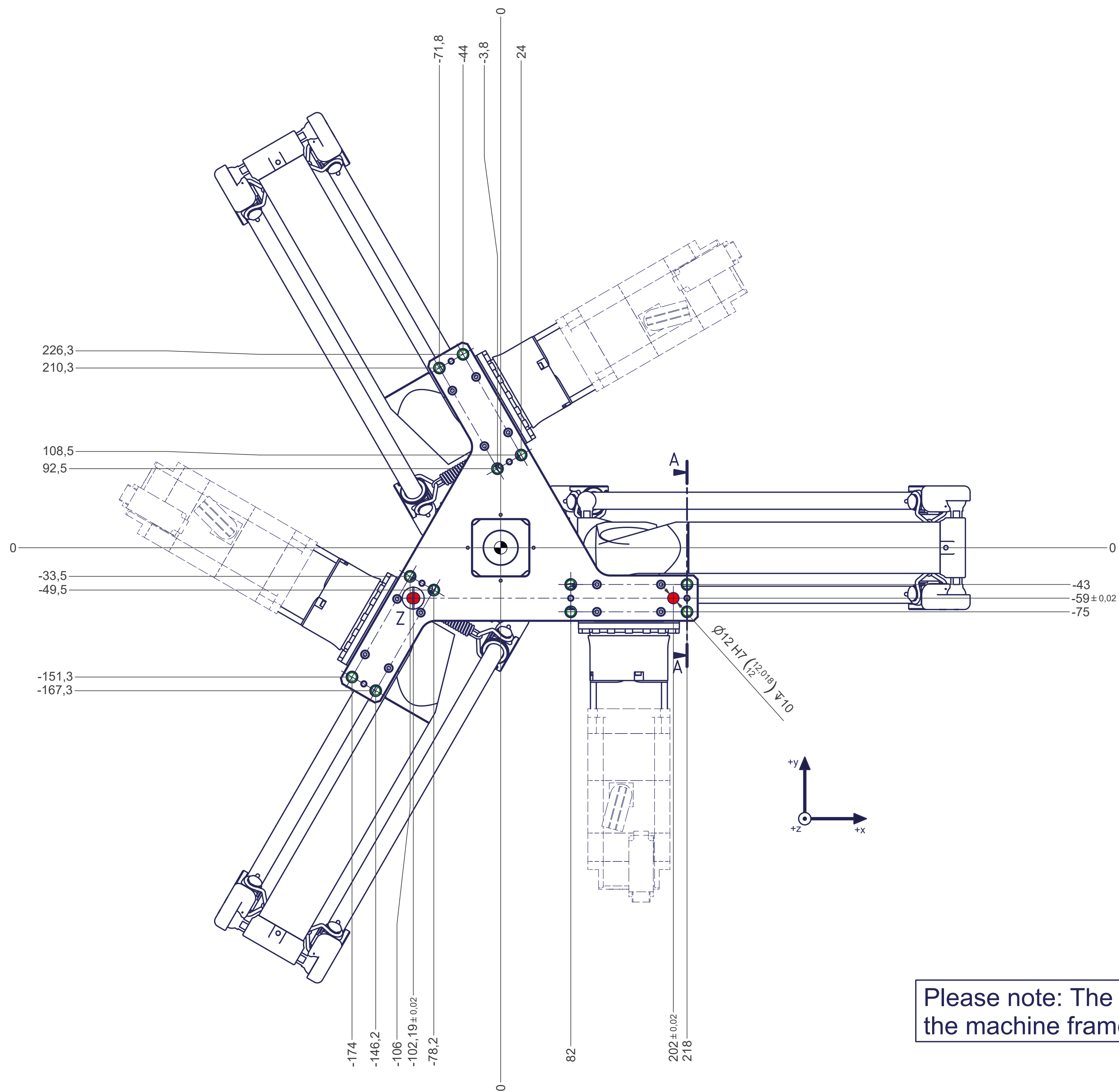
3

2

1

 Thread holes for screws M12 are coloured green.  
The tightening torque for these screws (strength class 8.8) is 41 Nm.

 Drilling holes for location pins are filled red.  
Recommended dimensions for locating pins:  $\varnothing 12 \text{ h8 } \left( \begin{smallmatrix} 12 \\ 11,973 \end{smallmatrix} \right)$



Please note: The required flatness of the machine frame interface is 0,1mm.

12

11

10

9

8

7

6

5

4

3

2

1