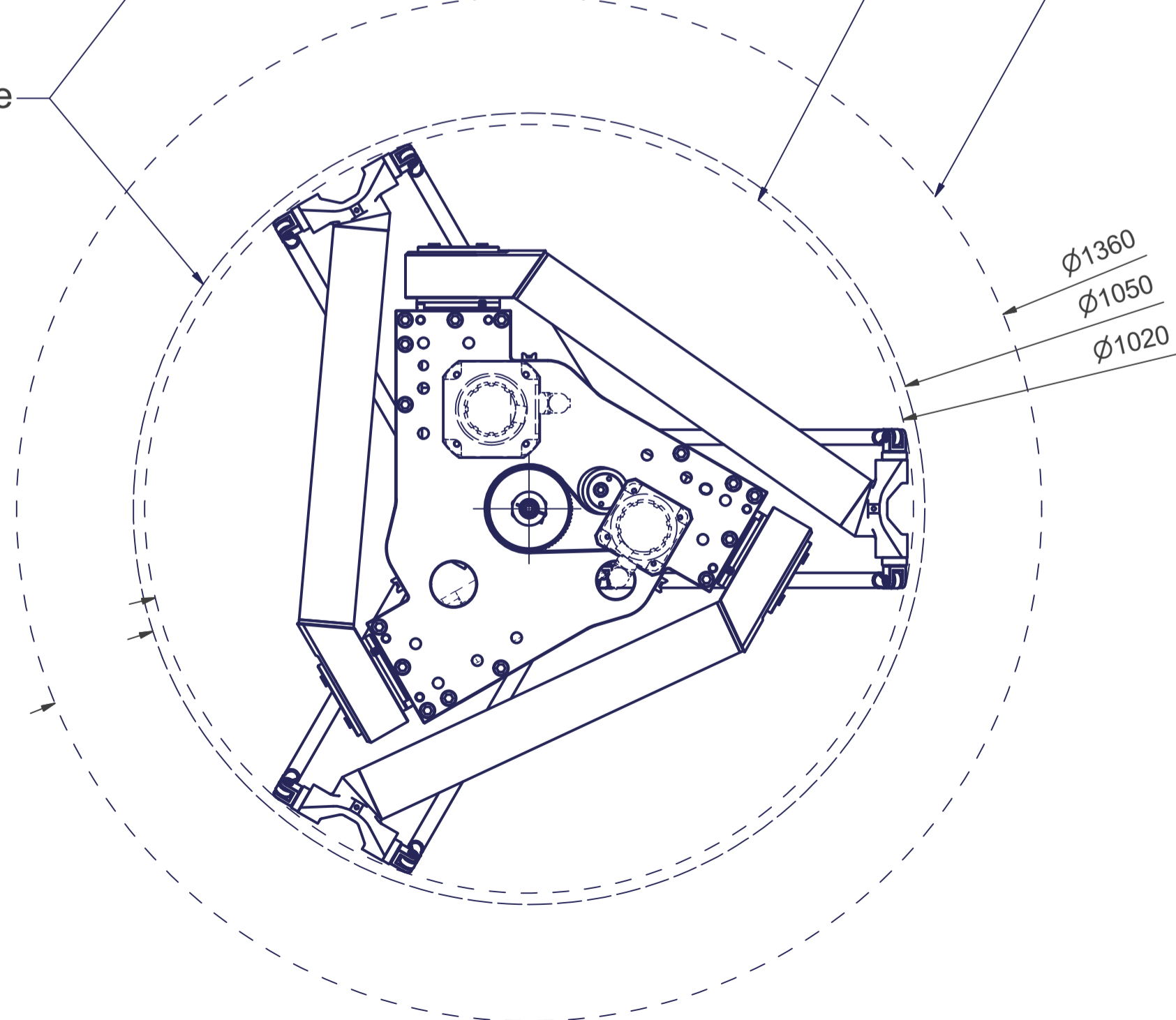
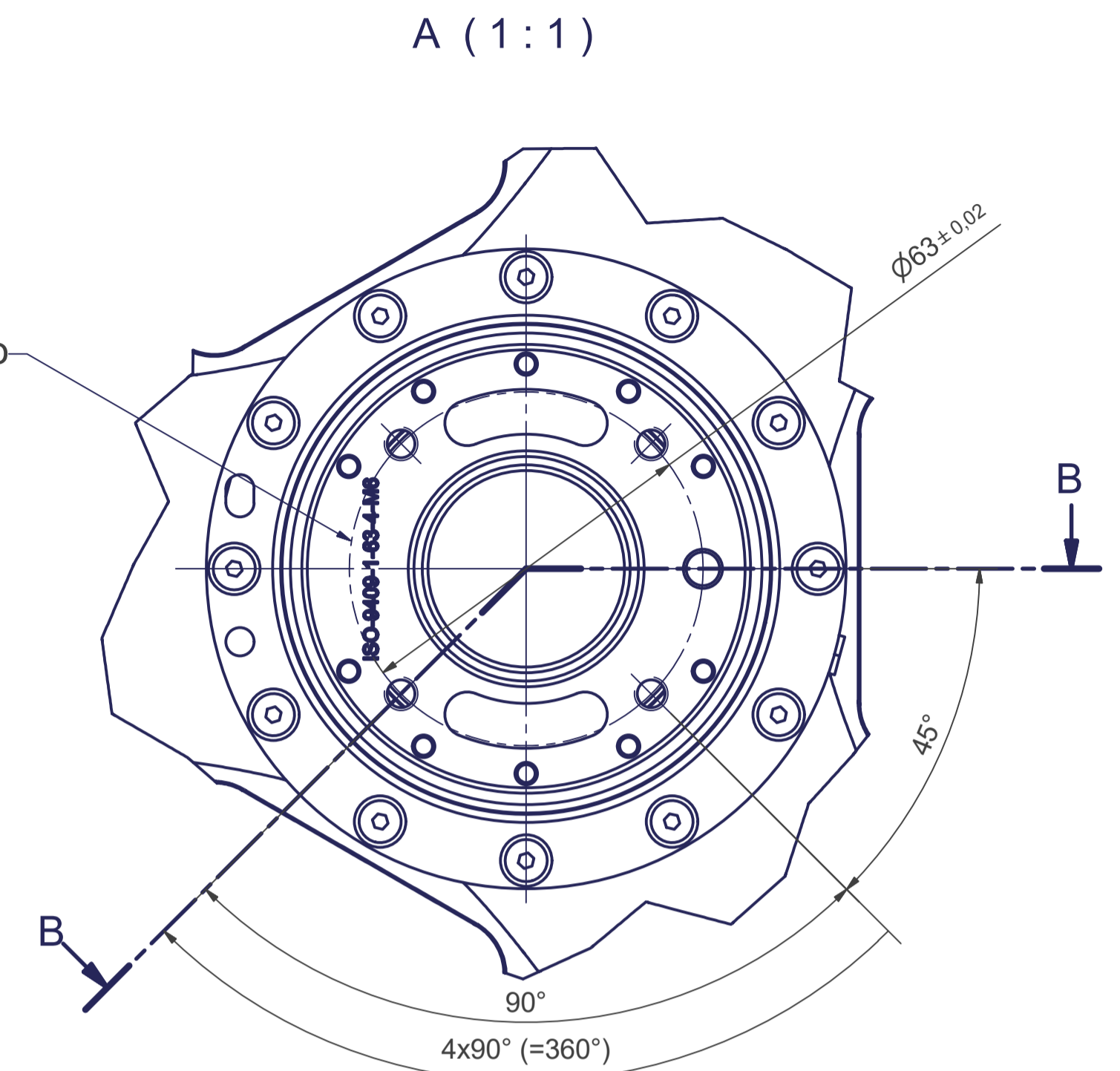


Tool Center Point
TCP (on the plane of the flange)

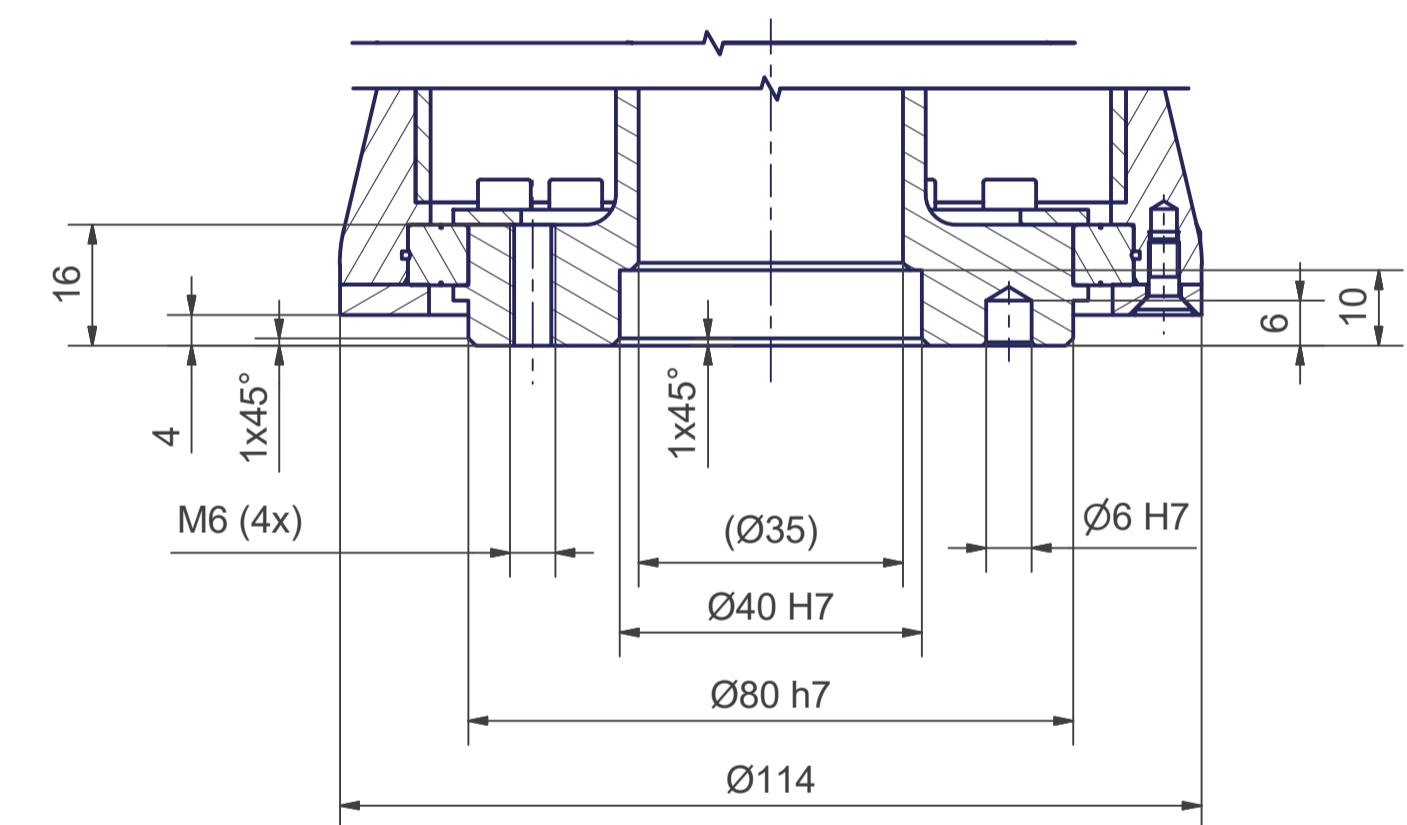
TCP - working range



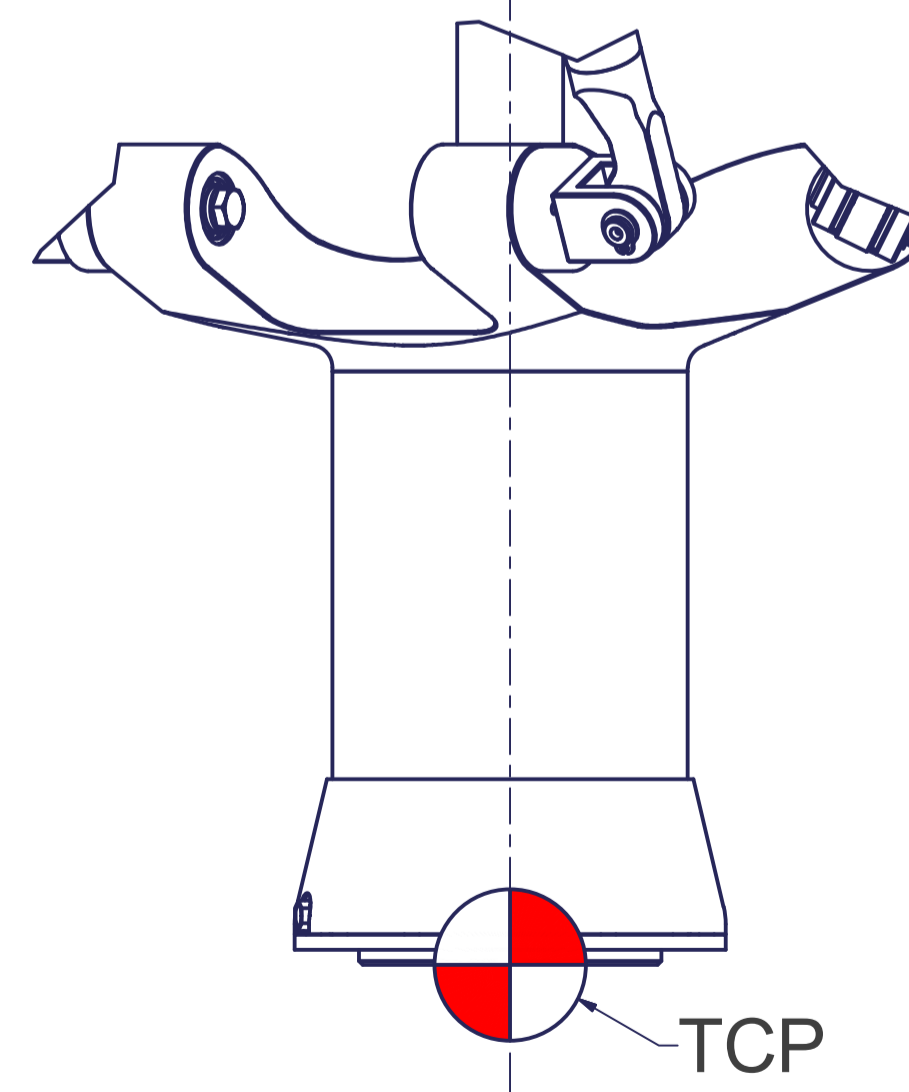
Flange diagramm according to ISO 9409-1-63-4-M6



B-B

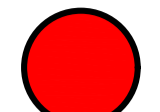




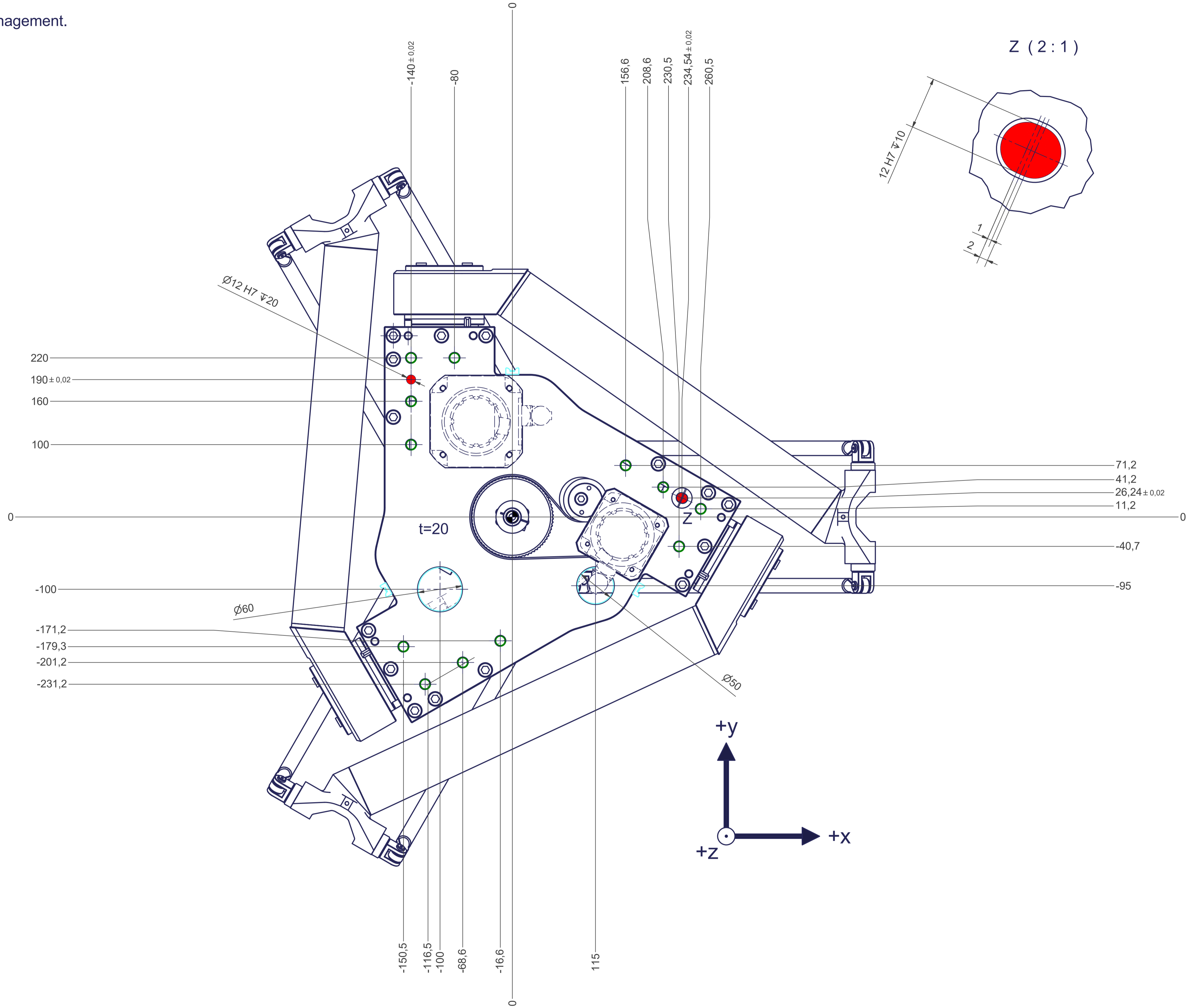
Z (1:2)



m= kg	A	p= bar
proj. storage surface = m ²	P= kW	\dot{V} = l/min
	U= V / Hz / Ph	
	I _{max} = A	

12 11 10 9 8 7 6 5 4 3 2 1

-  Drilling holes for locating pins are filled red.
Recommended dimensions of locating pins: $\varnothing 12$ h6 mm
-  Thread holes for screws M16 are coloured green.
The tightening torque for these screws (strength class 8.8) is 200 Nm.
-  Elements and drilling holes for your cable-management.



12 11 10 9 8 7 6 5 4 3 2 1