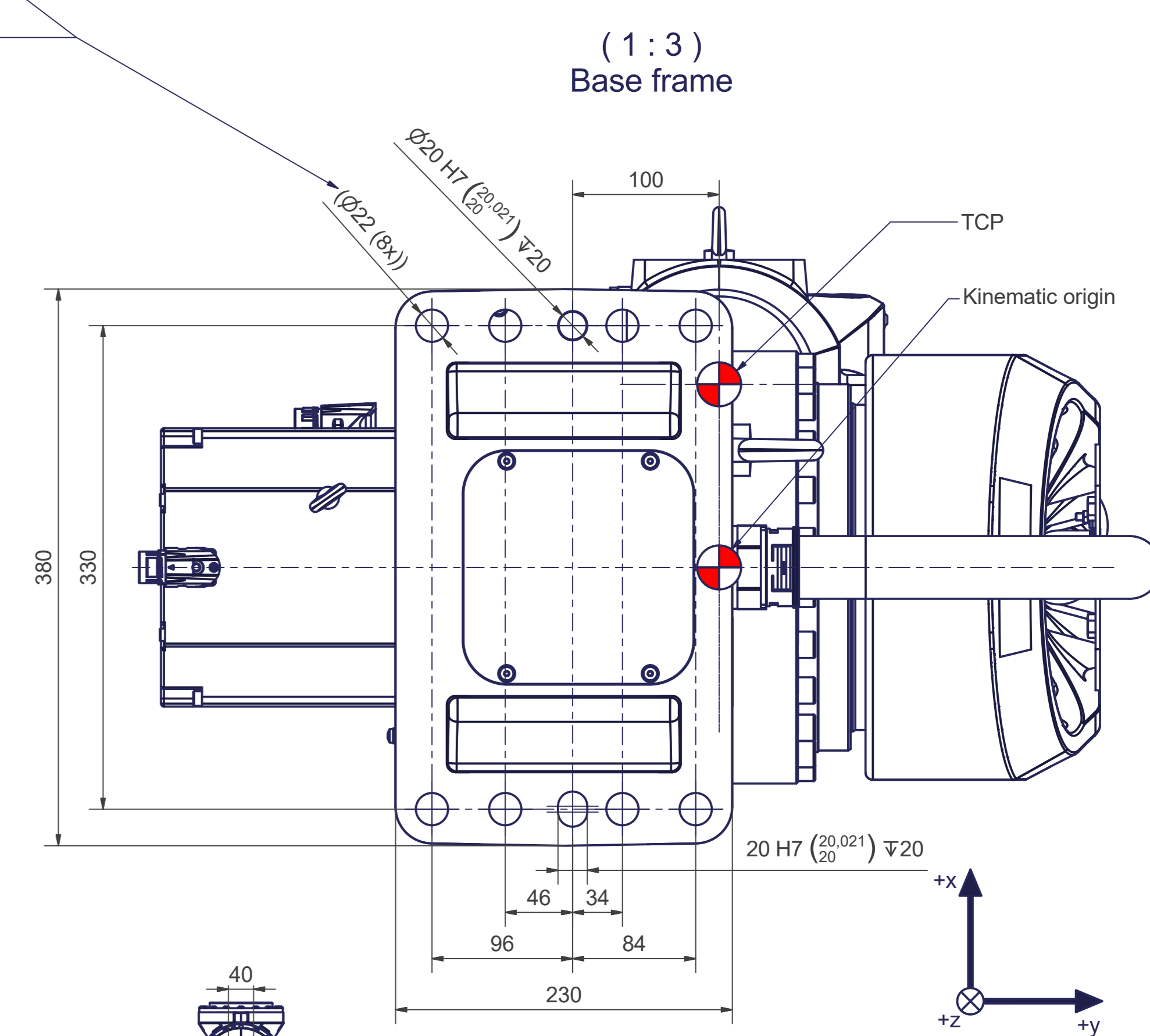


for screws M20
 (DIN ISO 4762-8.8)
 the tightening torque
 for these screws
 is 390 Nm (in steel frame)

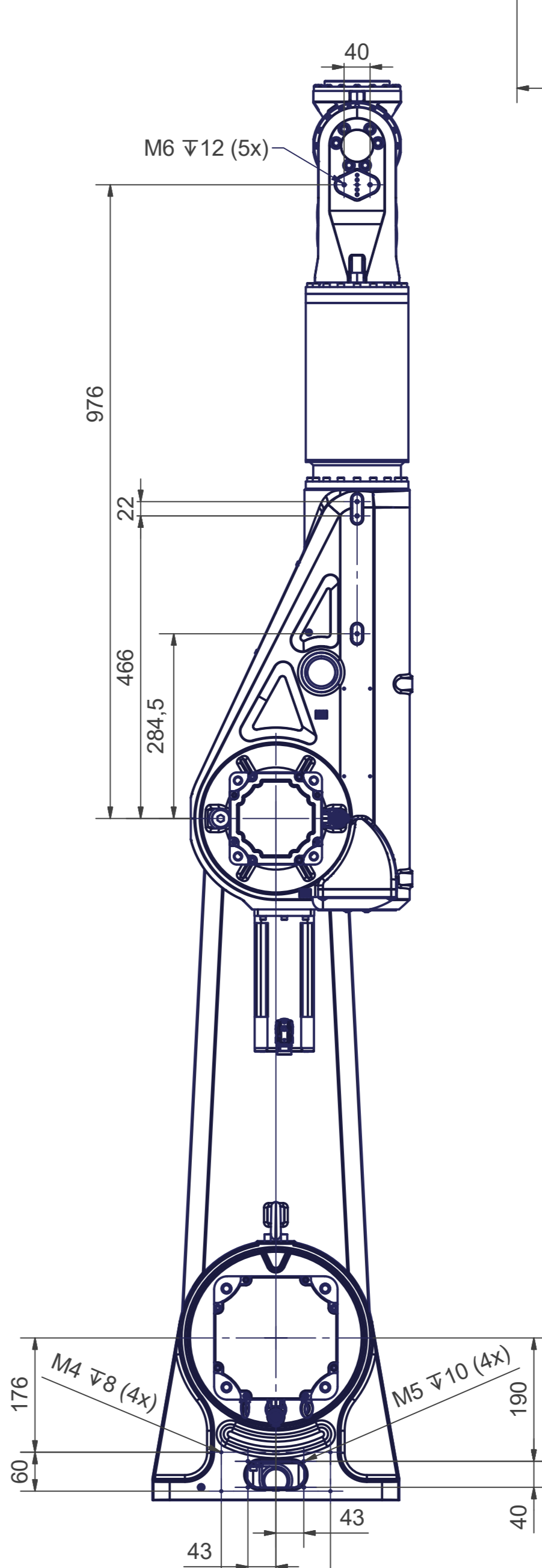
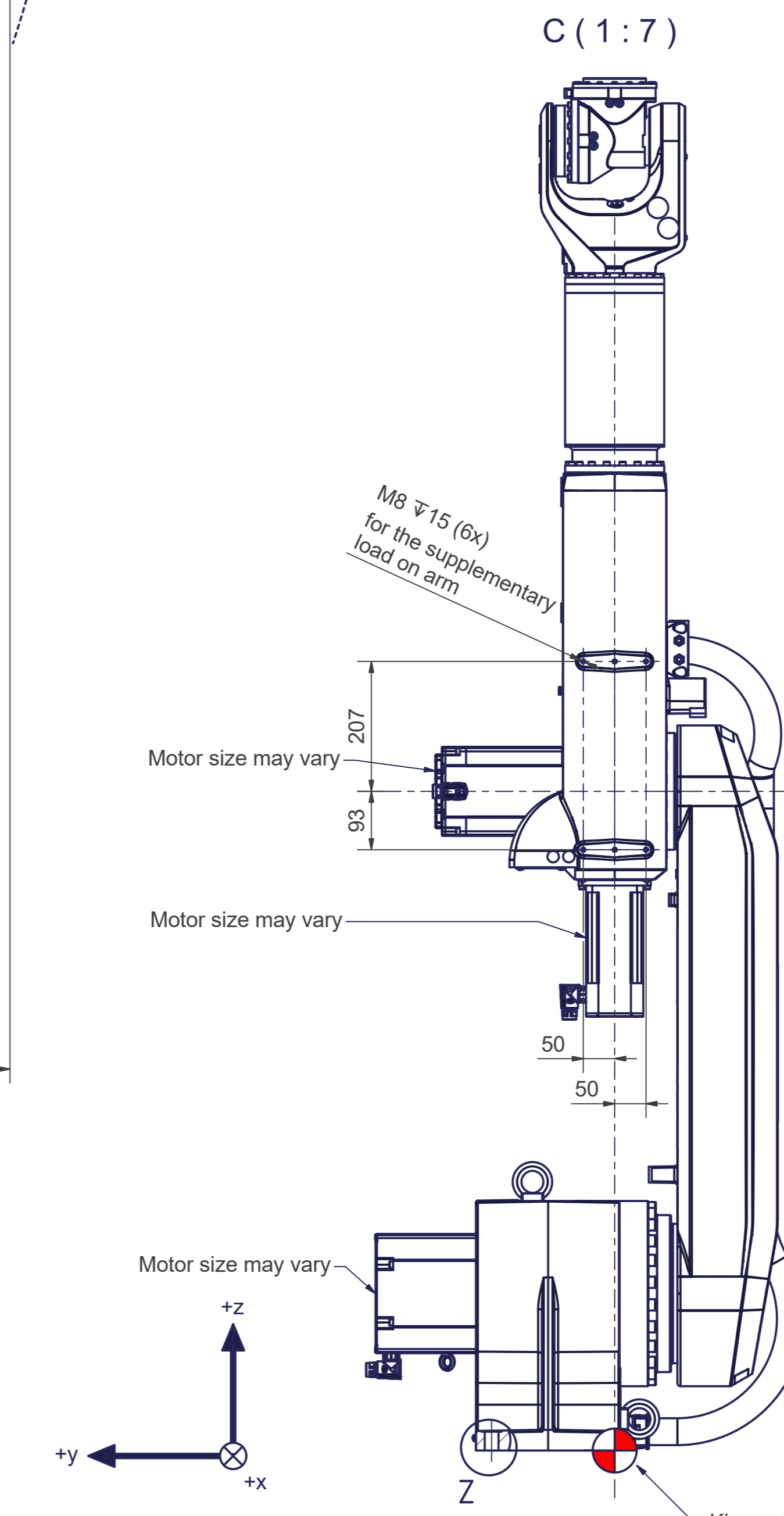


Motion range
 of A3-axis rotation center

TCP
 (Tool Center Point)

Max. center of load (30kg)

Max. area center of load
 More information can be found in the
 document "Load on tool flange"



Motion	
Axes	Range fully usable
A1	$\pm 120^\circ$
A2	$-94^\circ / +157^\circ$
A3	$\pm 120^\circ$

More information can be found in
 the document "calibration dimensions"

articc3-1943-30kg	
Axes	3
Payload (on TCP)	30 kg
Supplementary load on arm	40kg
Reach	1943 mm
Mounting position	Angle, Ceiling, Floor, Wall

Connecting dimensions, valid for article number: AT_30006

kg	kg	A	mm
m ²	m ²	A	mm
First angle projection	First angle projection	mm	mm
U=	V / Hz / Ph	mm	mm
Imax=	A	mm	mm

Rev_01