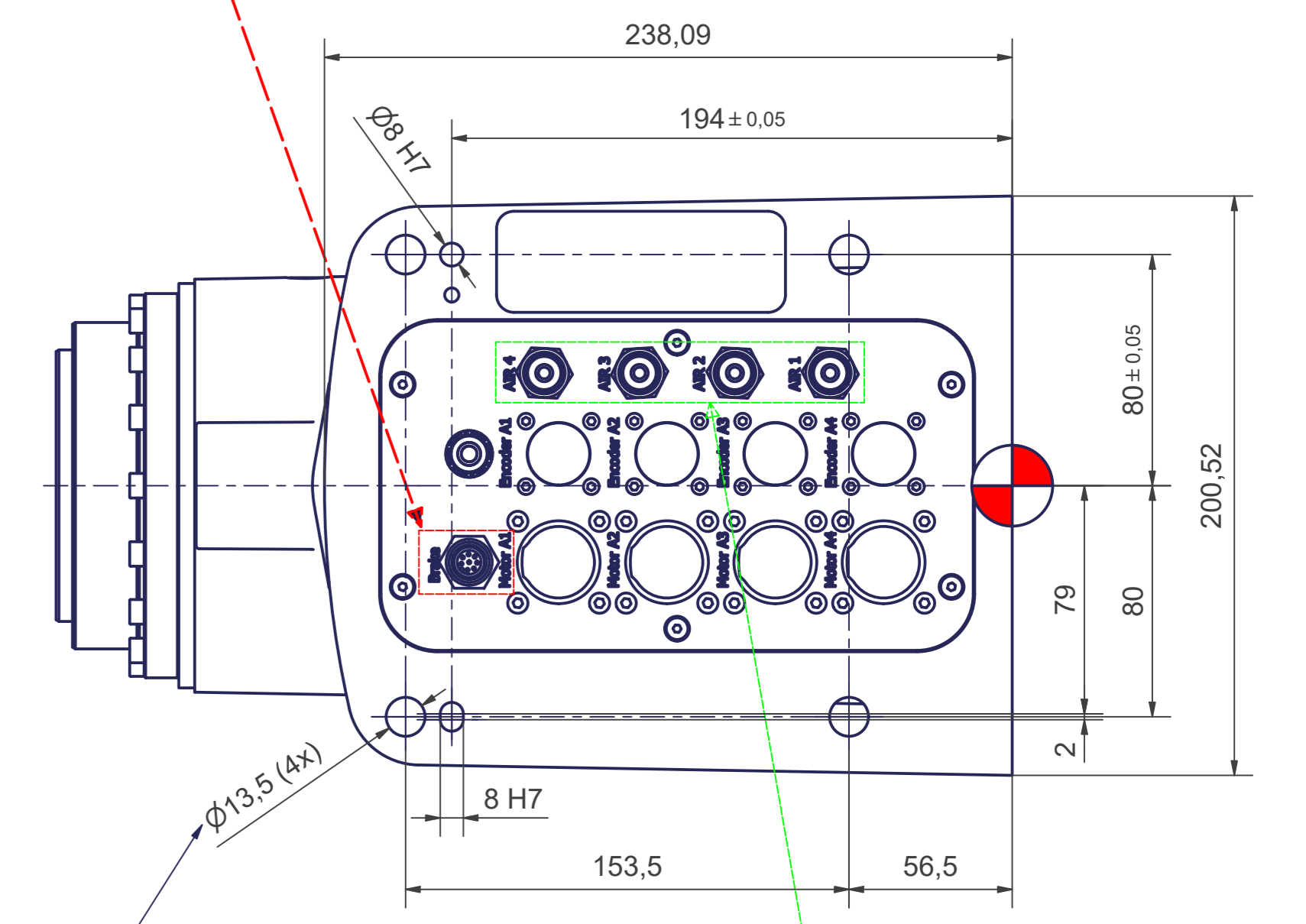
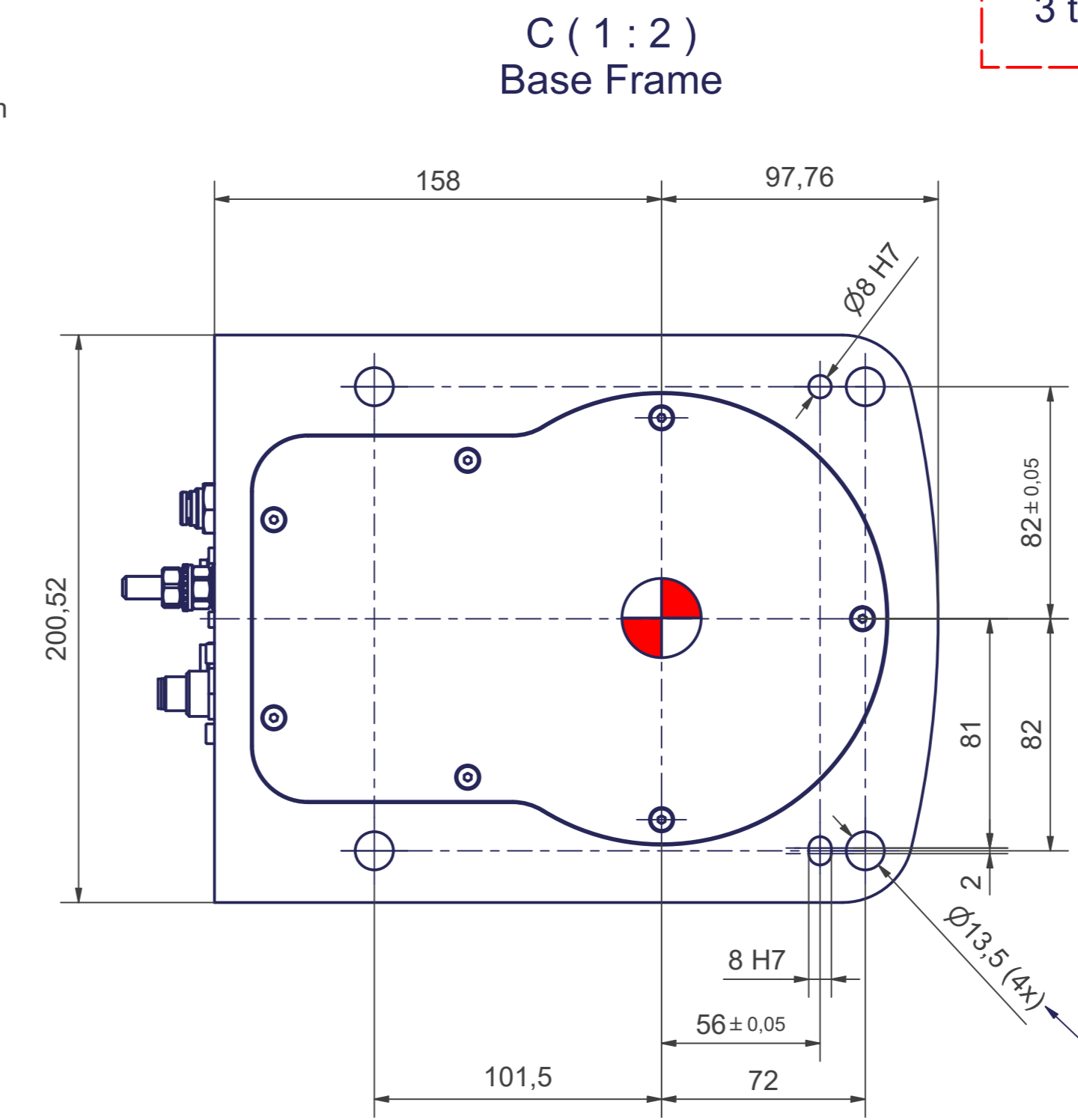
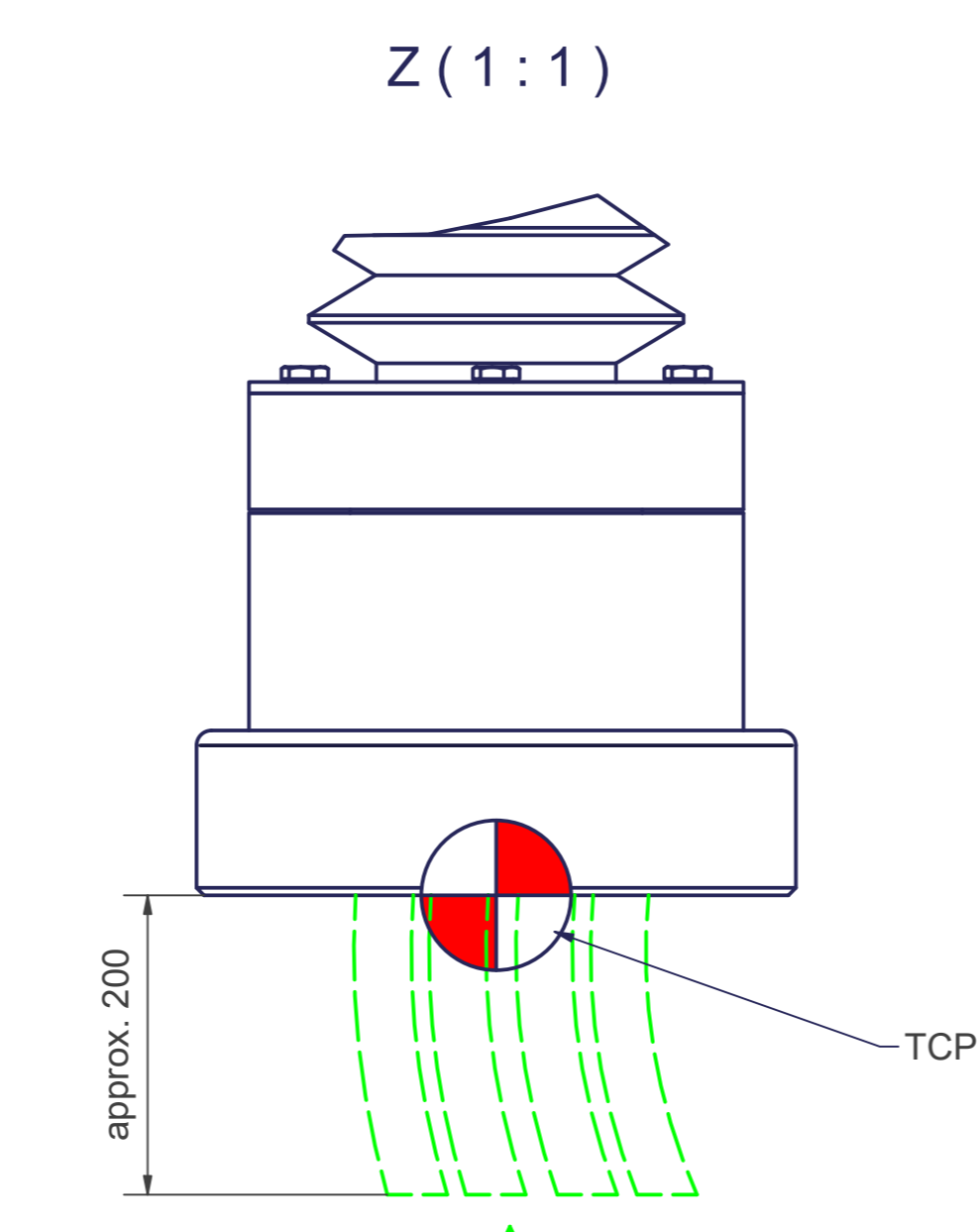
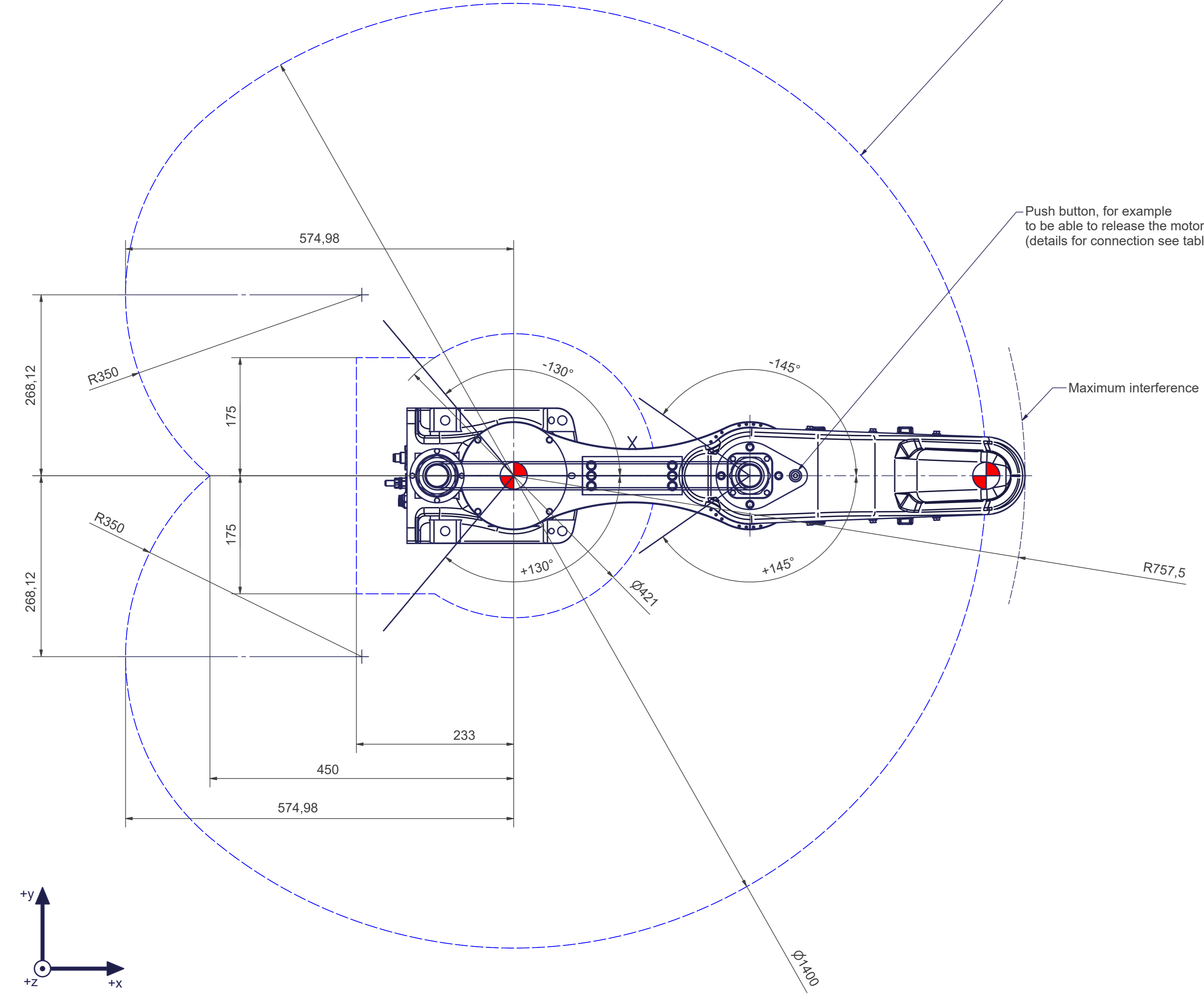


PIN assignment by autonox Robotics		
PIN number	Connection to	M12 8-pin male
1	Push button	
2	Push button	
3 to 8	Not connected	



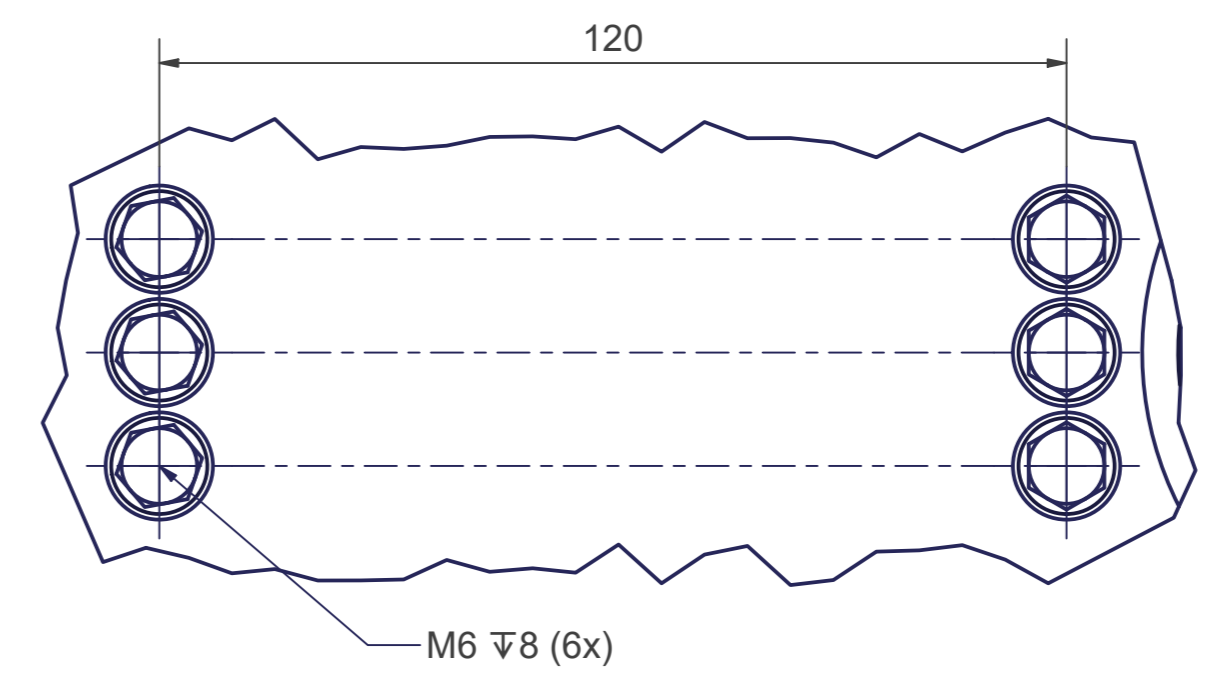
for screws M12 (DIN ISO 4014/4017-8.8) the tightening torque for these screws is 83 Nm (in steel frame).

sCara4-700-6kg	
Axes	4
Payload (on TCP)	6kg
Reach	700 mm
Mounting position	Floor, ceiling, wall

Motion	
Axes	Range fully usable
A1	± 130°
A2	± 145°
A3	+ 73 mm / + 223 mm
A4	± 360°

More information can be found in the document "calibration dimensions"

X (1:1)



Connecting dimensions, valid for article number: AT_00020-HND

kg	A	bar
m ⁻	kg	mm
proj. storage surface =	m ²	l/min
P _z	mm	
U _z	mm	
l _{max}	mm	
kw	V / Hz / Ph	
A		

