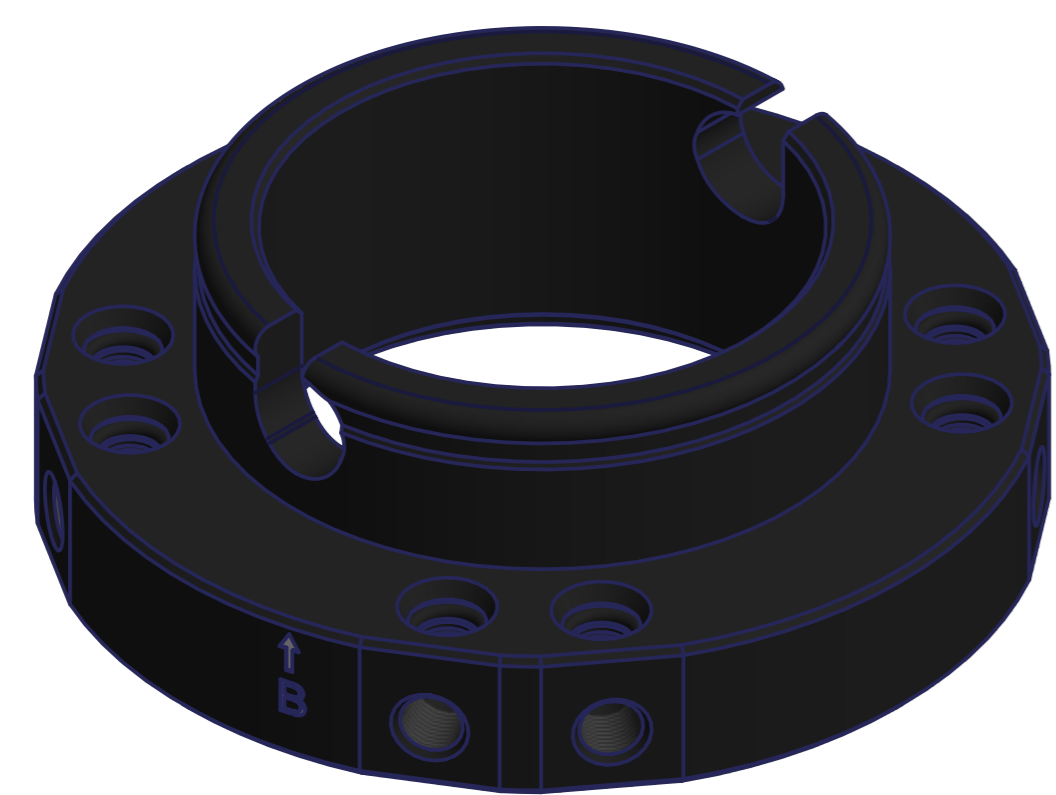
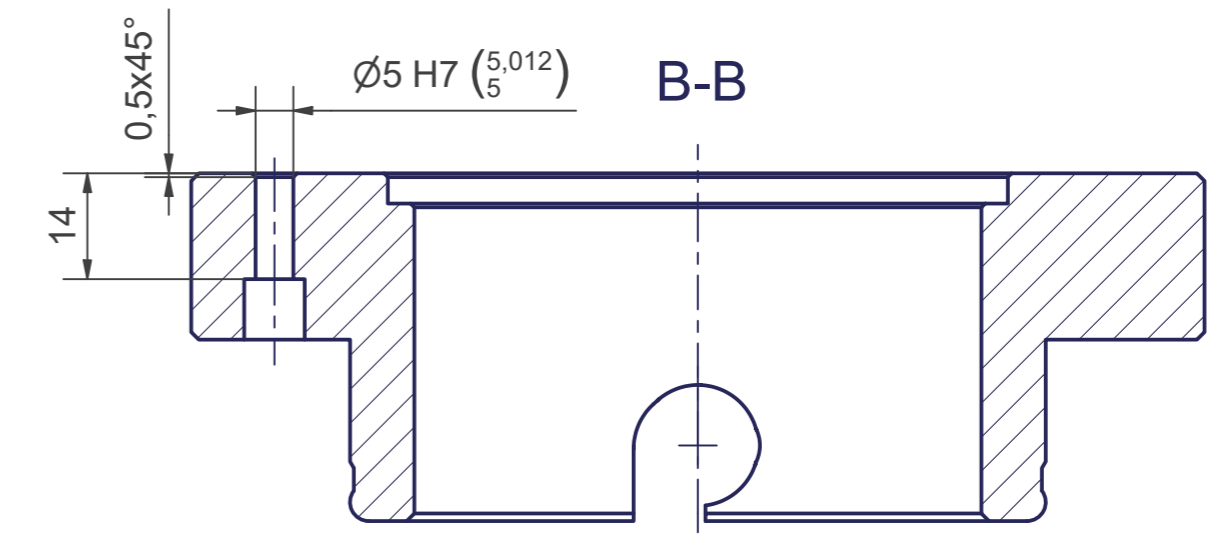
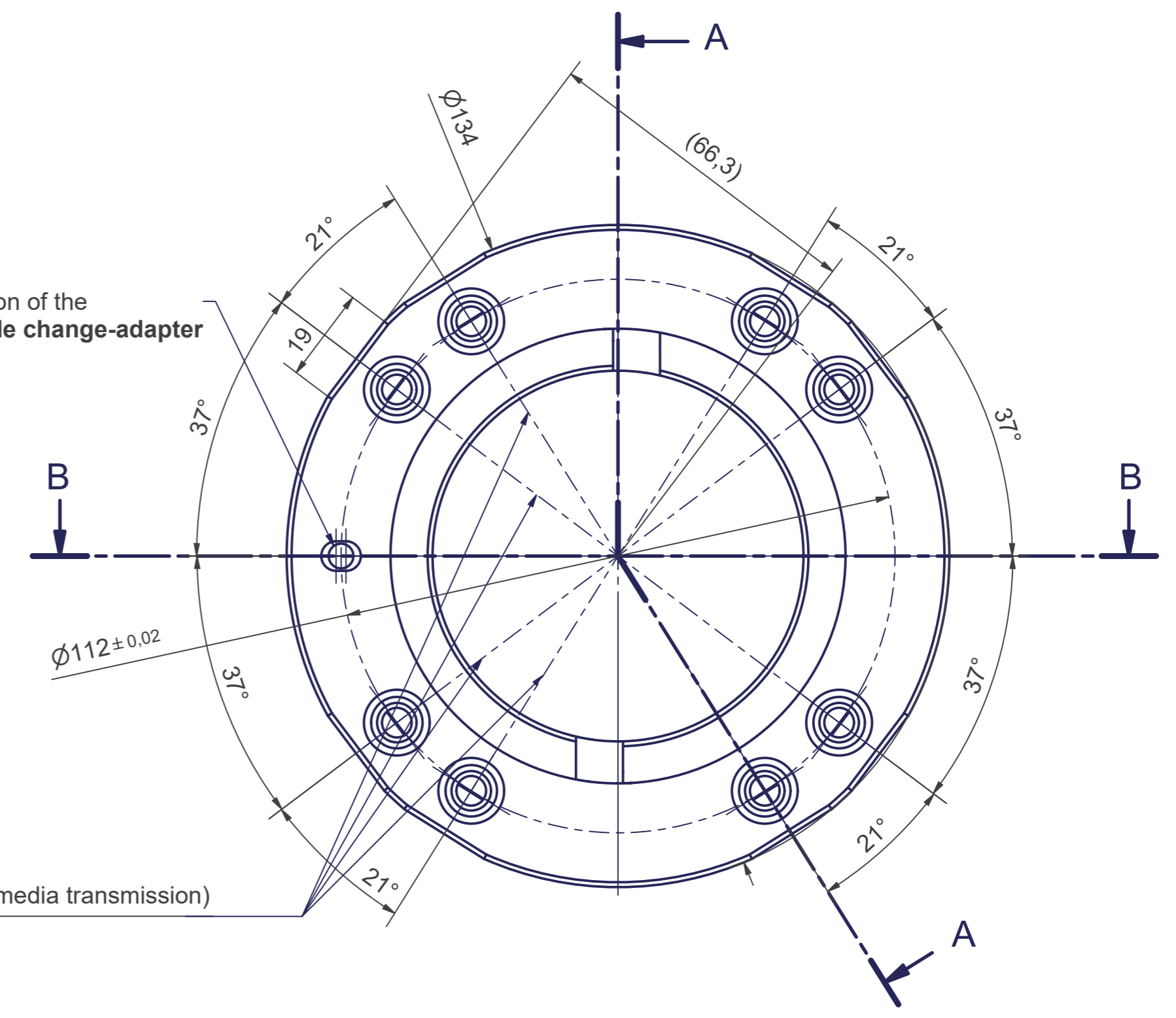


Indexation of the Tool-side change-adapter



CAUTION for the mechanical finishing:
The surface is hard anodized.

Connecting dimensions,
valid for article number MT_BGR00021346

m= kg		
proj. storage surface = m ²	A	p= bar
First angle projection		\dot{V} = l/min
	P= kW	
	U= V / Hz / Ph	
	I _{max} = A	