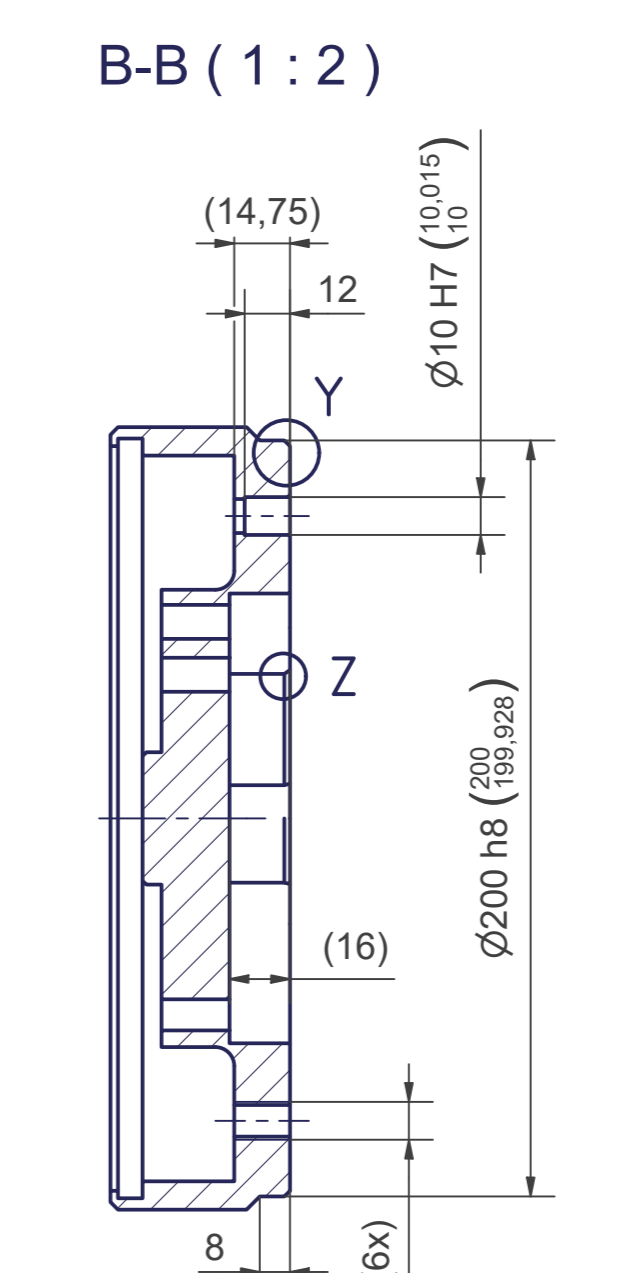
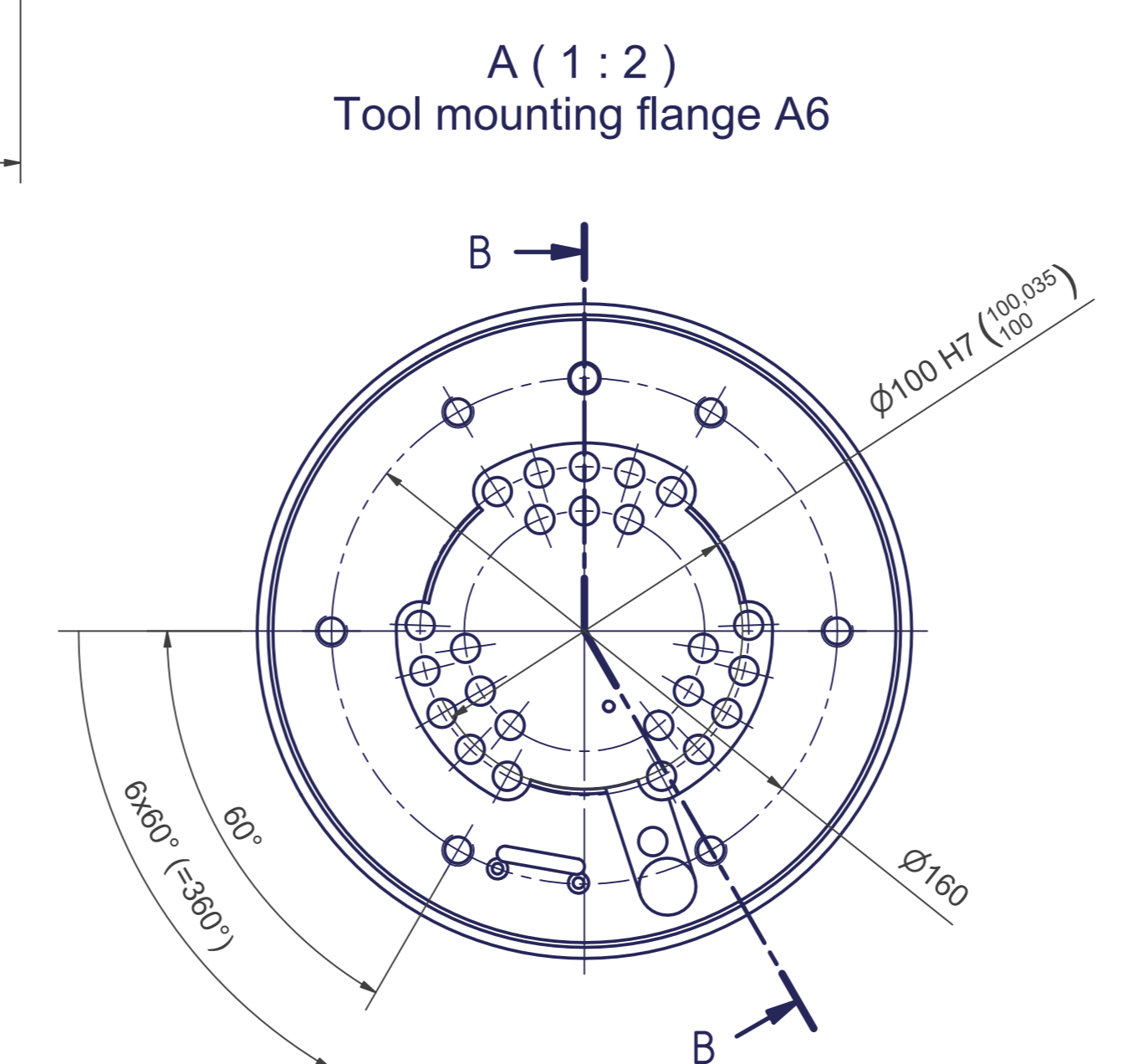
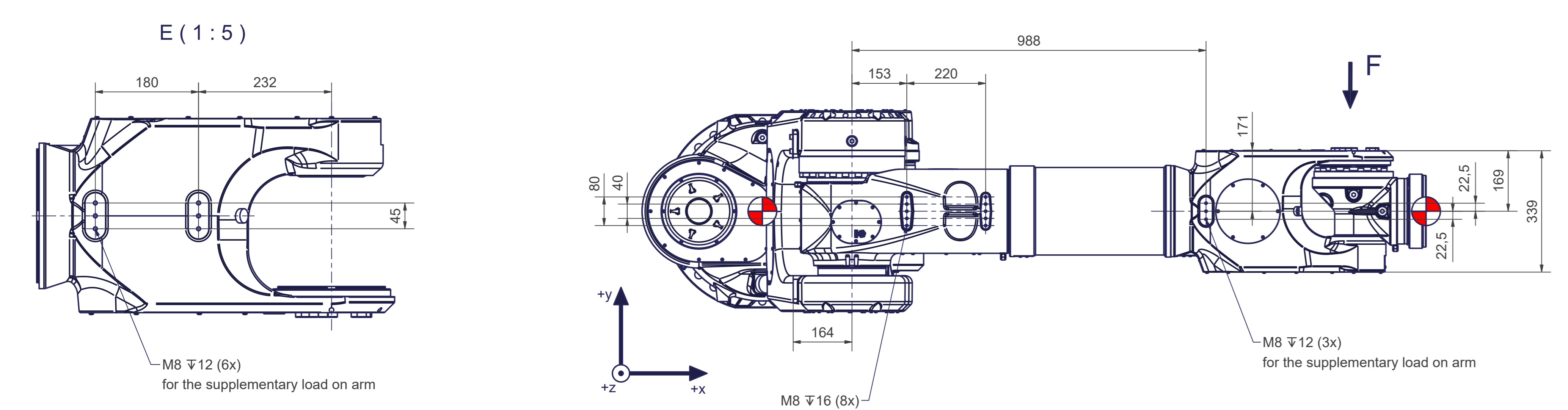
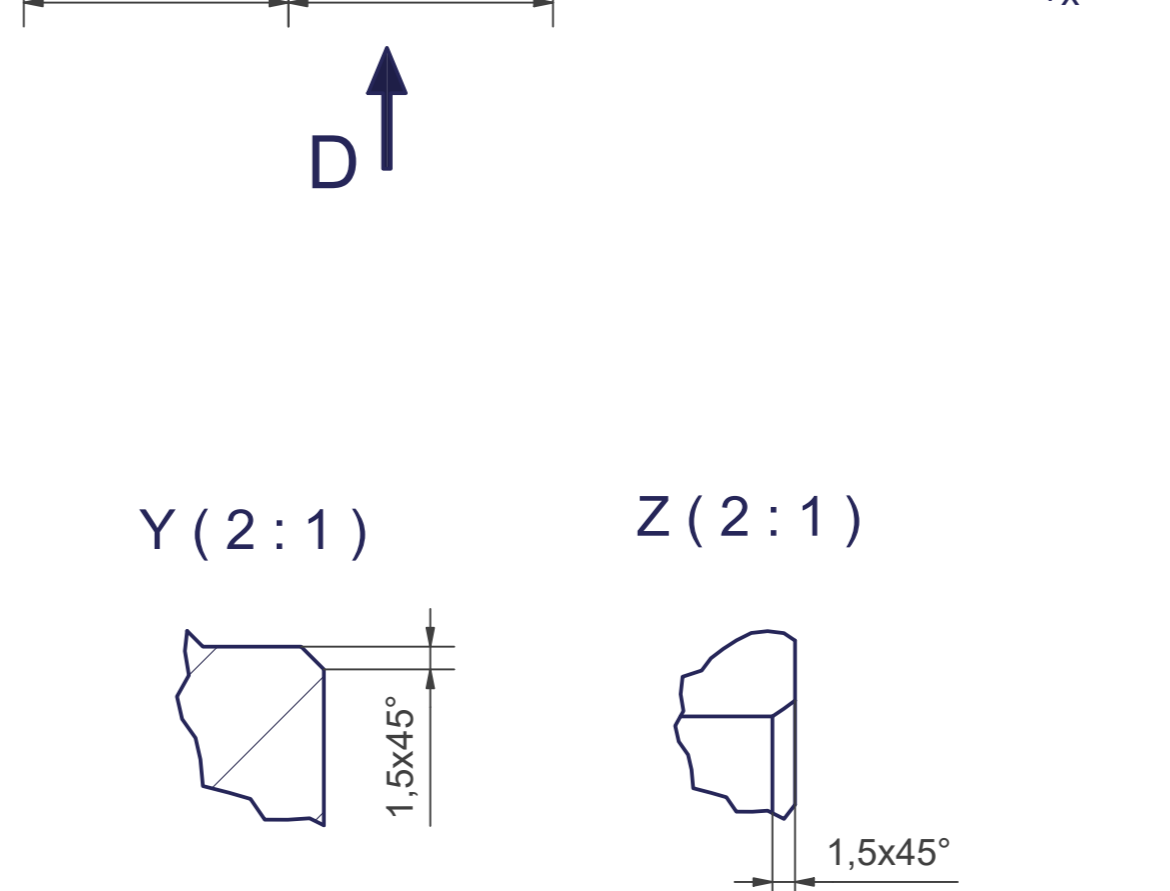
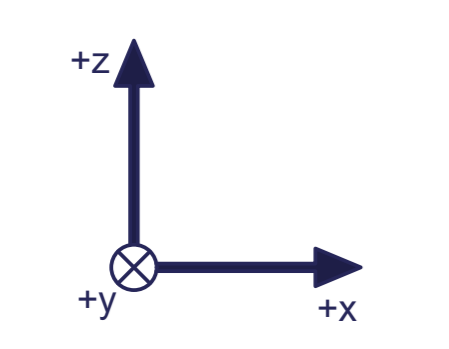


artic.m6-2855-80kg	
Axes	6
Payload (on TCP)	80 kg
Supplementary load on arm	20 kg
Reach	2855 mm
Mounting position	Ceiling, Floor

Motion	
Axes	Range fully usable
A1	$\pm 185^\circ$
A2	$-38^\circ / +145^\circ (*)$
A3	$-180^\circ / +65^\circ (*)$
A4	$\pm 270^\circ$
A5	$\pm 120^\circ$
A6	$\pm 185^\circ$

(\*) More information can be found in the document "calibration dimensions"



Connecting dimensions, valid for article number: AT\_00035-SE01

$m=$	kg		$\phi$	bar
proj. storage surface =	$m^2$		$\psi=$	l/min
First angle projection				
$U=$				
$I_{max}=$				

autonox Robotics