

Rev_01

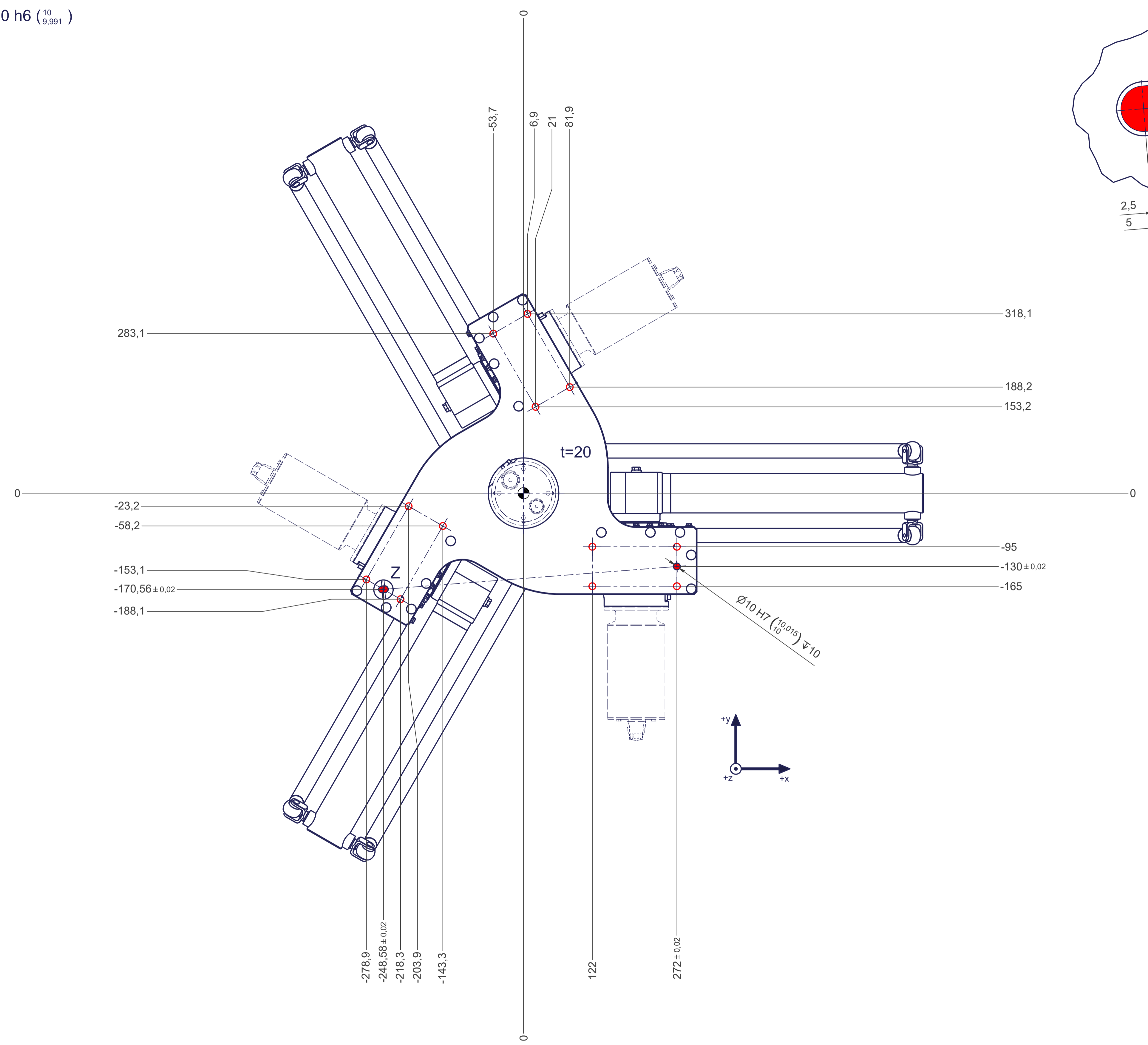
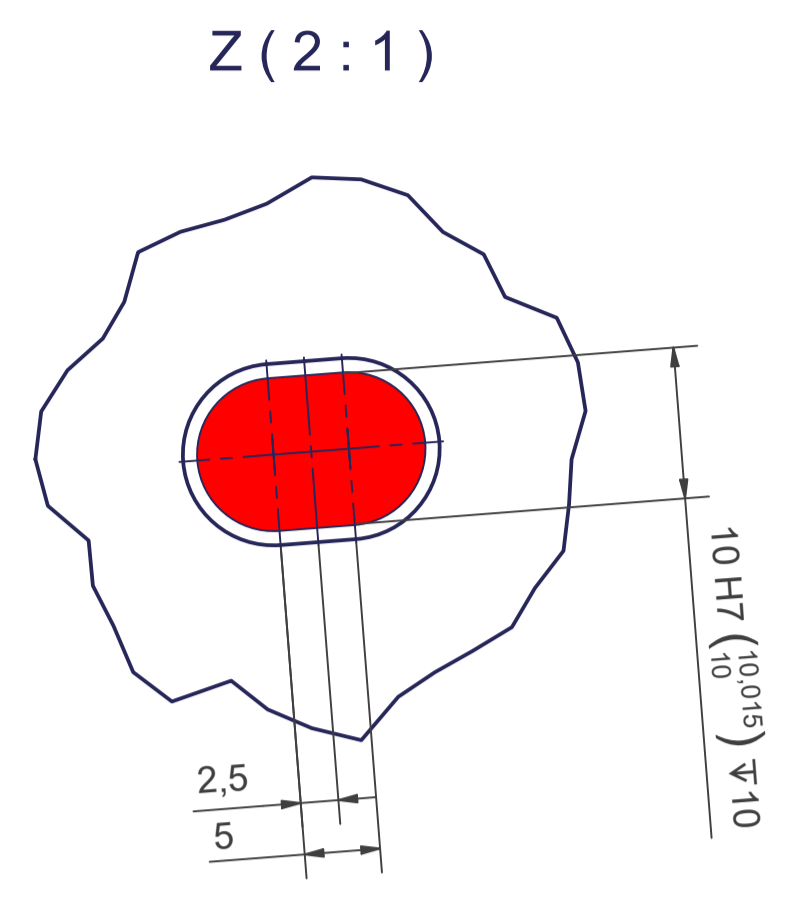
Connecting dimensions, valid for article number A_00853

m= kg	A	p= bar
proj. storage surface = m ²		v̇= l/min
First angle projection	P= kW	
	U= V / Hz / Ph	
	I _{max} = A	

A_00853

12 11 10 9 8 7 6 5 4 3 2 1

- All fastening holes $\varnothing 12$ mm for screws M10 (DIN ISO 6921 -A2) without washers. Fastening holes are coloured red.
- Drilling holes for locating pins are filled red. Recommend dimensions of locating pins: $\varnothing 10$ h6 ($\begin{smallmatrix} 10 \\ 9,991 \end{smallmatrix}$)



12 11 10 9 8 7 6 5 4 3 2 1