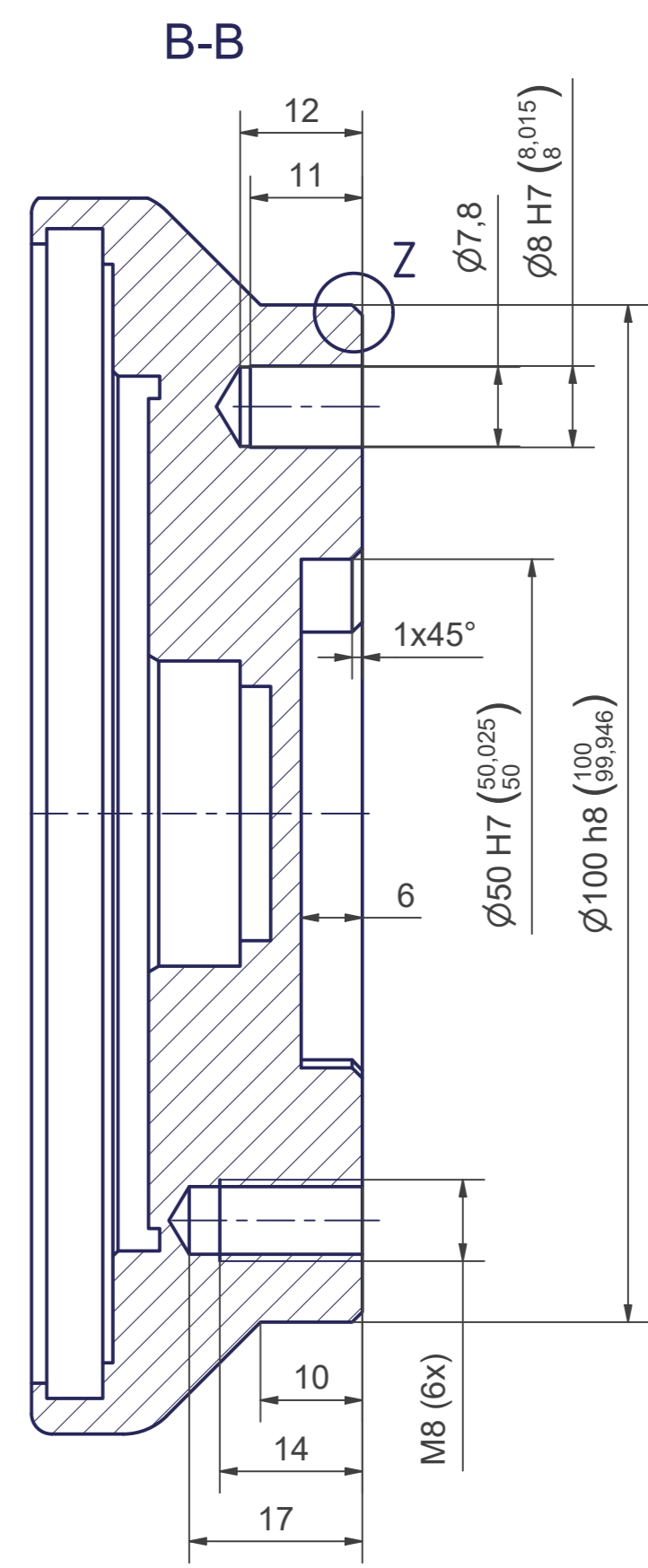
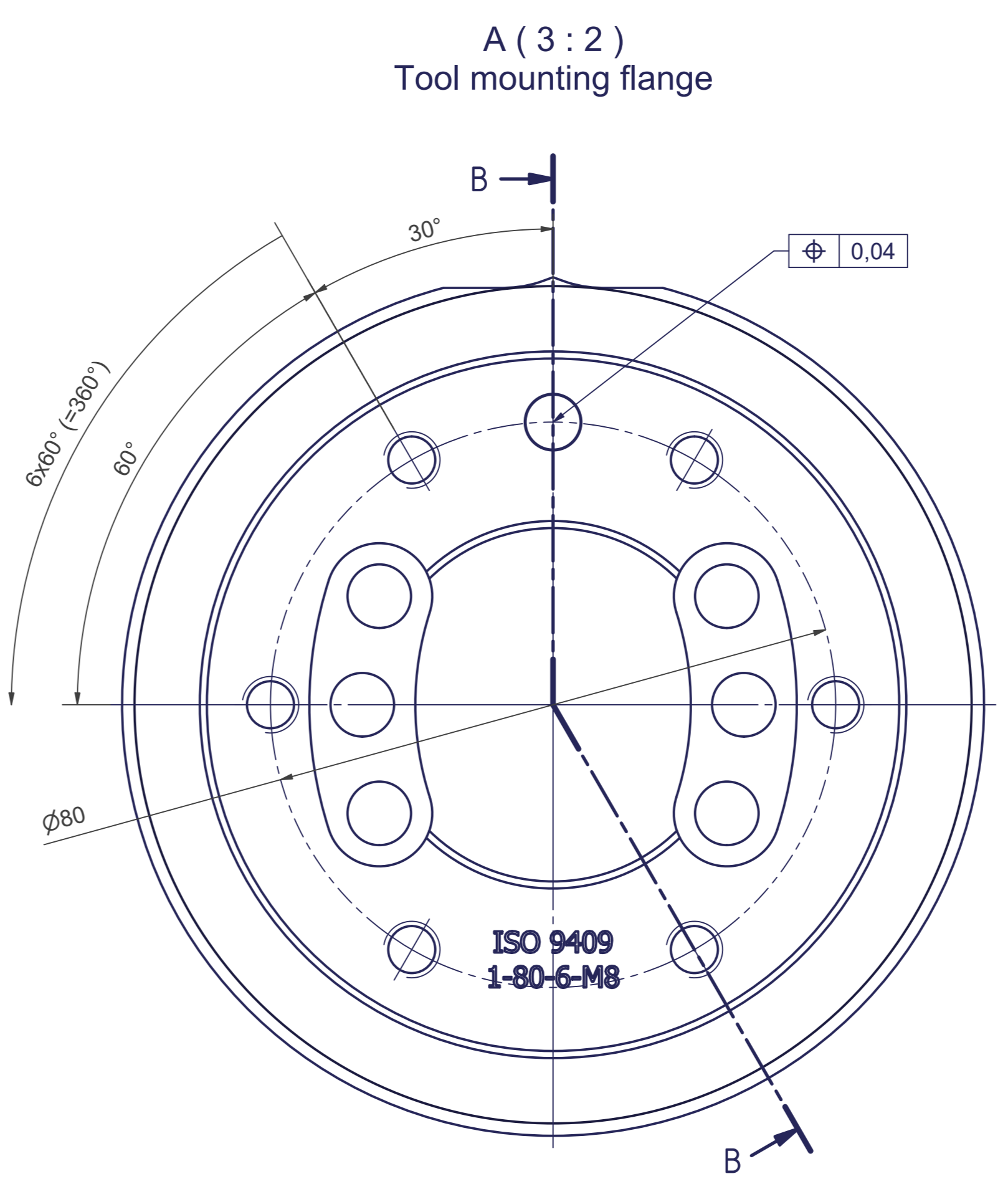
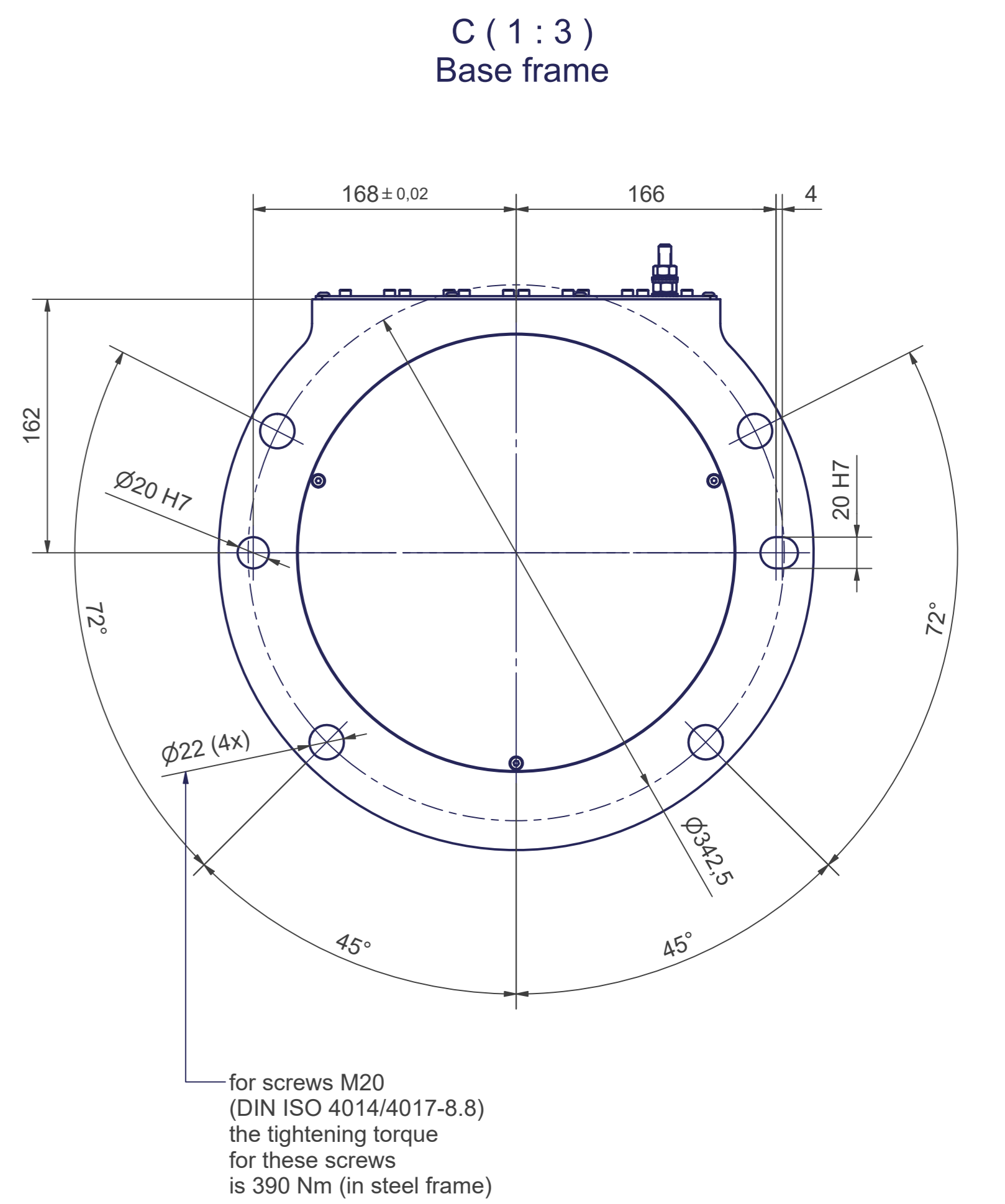
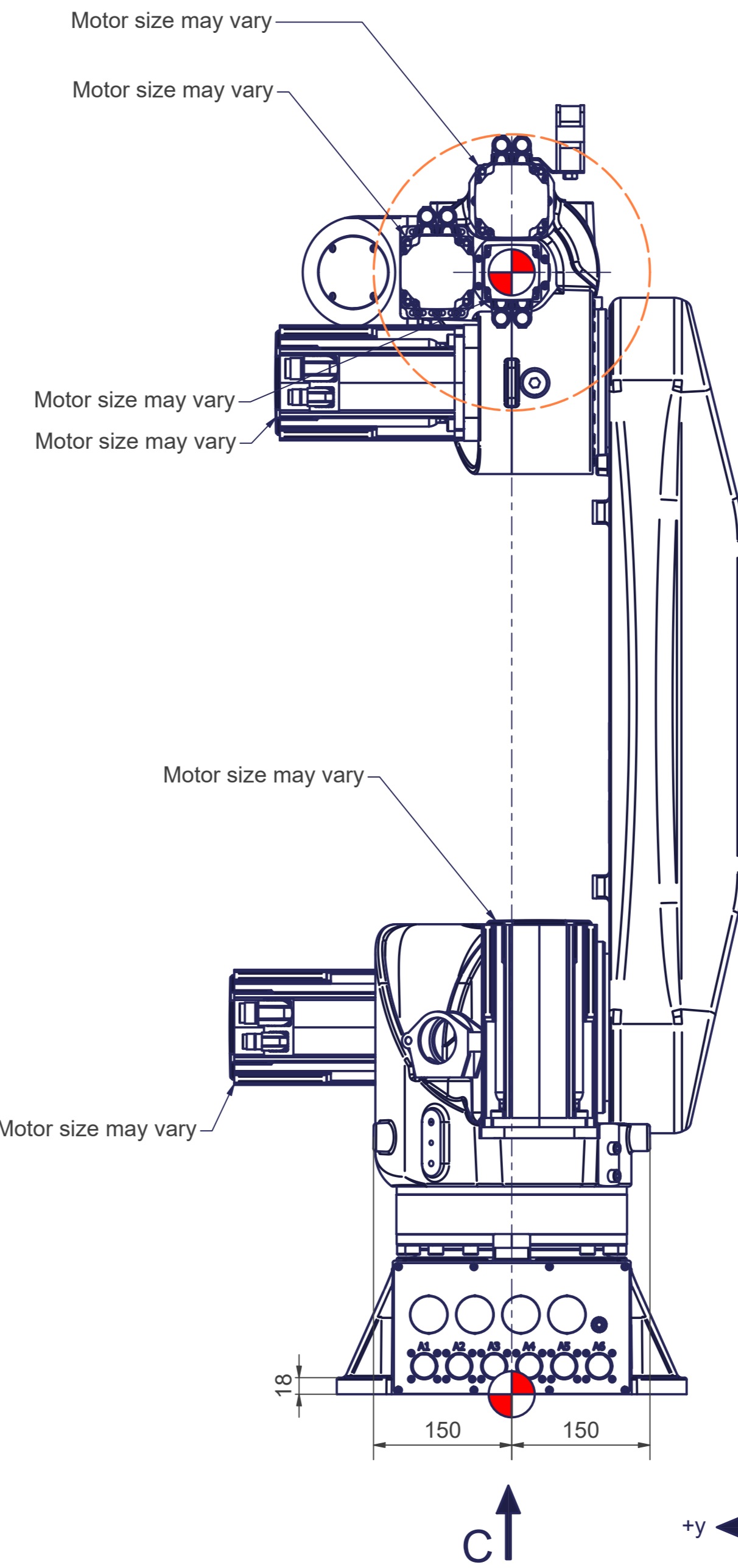


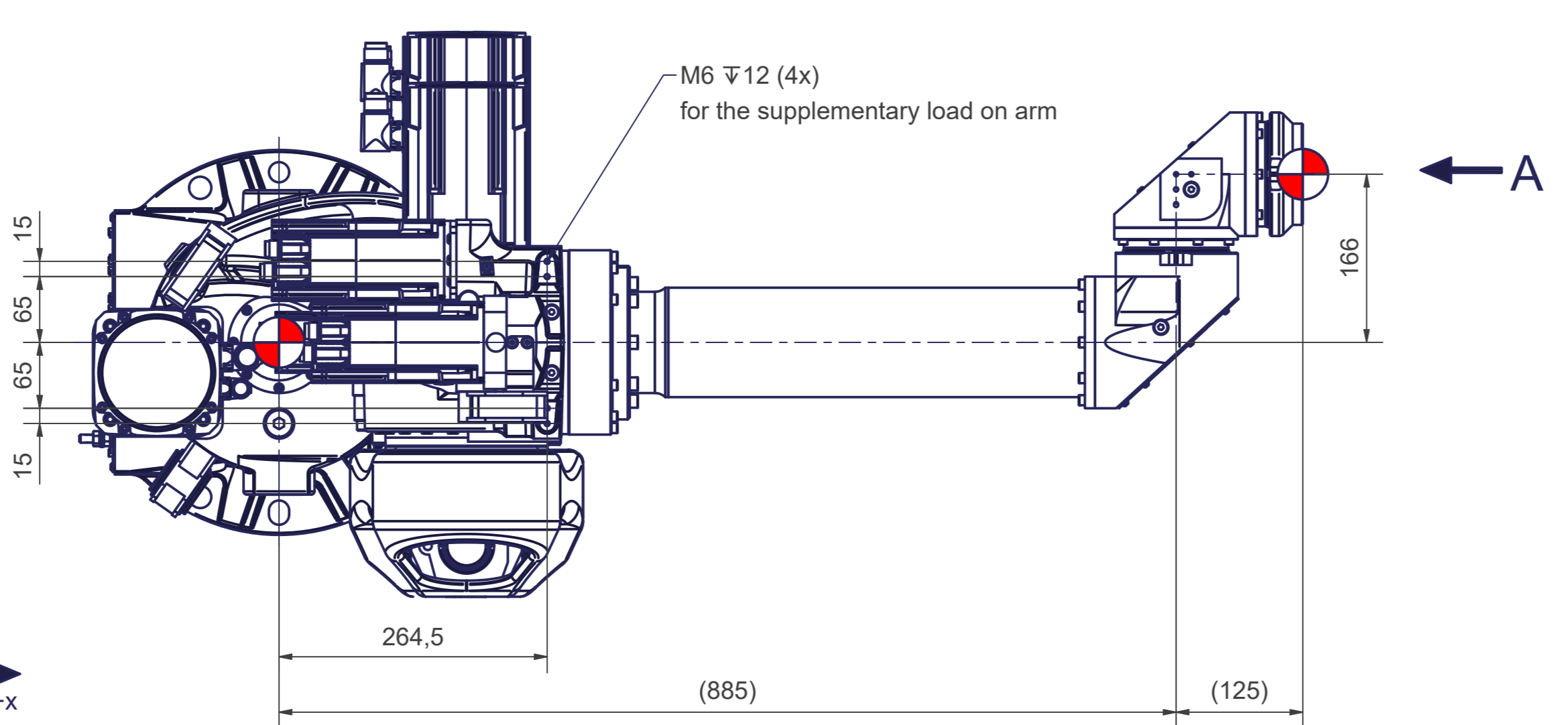
Max. center of load (20kg)
 TCP (Tool Center Point)
 Max. area center of load
 More information can be found in the document "Load on tool flange"



Motion	
Axes	Range fully usable
A1	± 185°
A2	- 88° / + 169° (*)
A3	- 160° / + 78° (*)
A4	± 360°
A5	± 360°
A6	± 360°

(*) More information can be found in the document "calibration dimensions"

articc.o6-1720-20kg	
Axes	6
Payload (on TCP)	20 kg
Supplementary load on arm	10 kg
Reach	1720 mm
Mounting position	Angle, Ceiling, Floor, Wall



Connecting dimensions, valid for article number: AT_00031

kg	⚡	⊙
m=	kg	A
proj. storage surface =	m ²	⊙
First angle projection	1x45°	p= bar ψ= l/min
U=	V / Hz / Ph	kw
lmax=	A	

autonox
Robotics