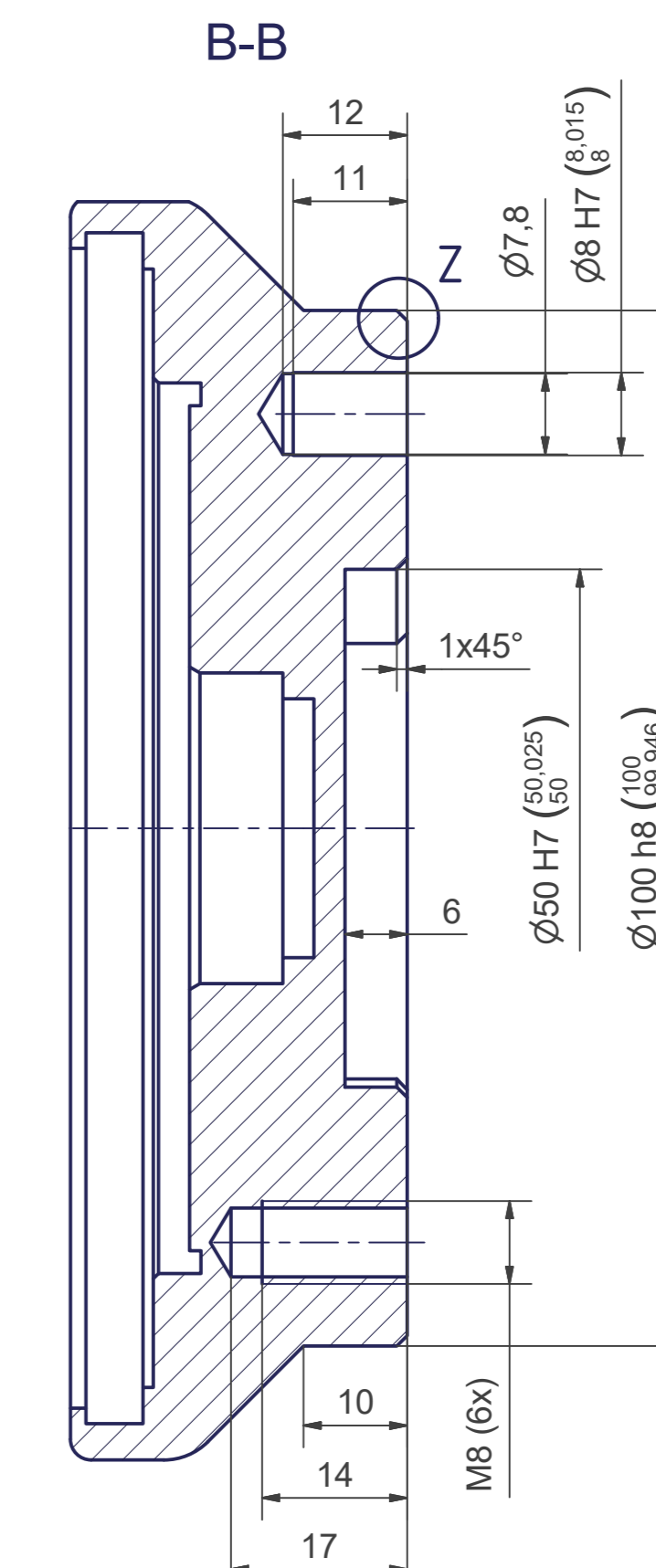
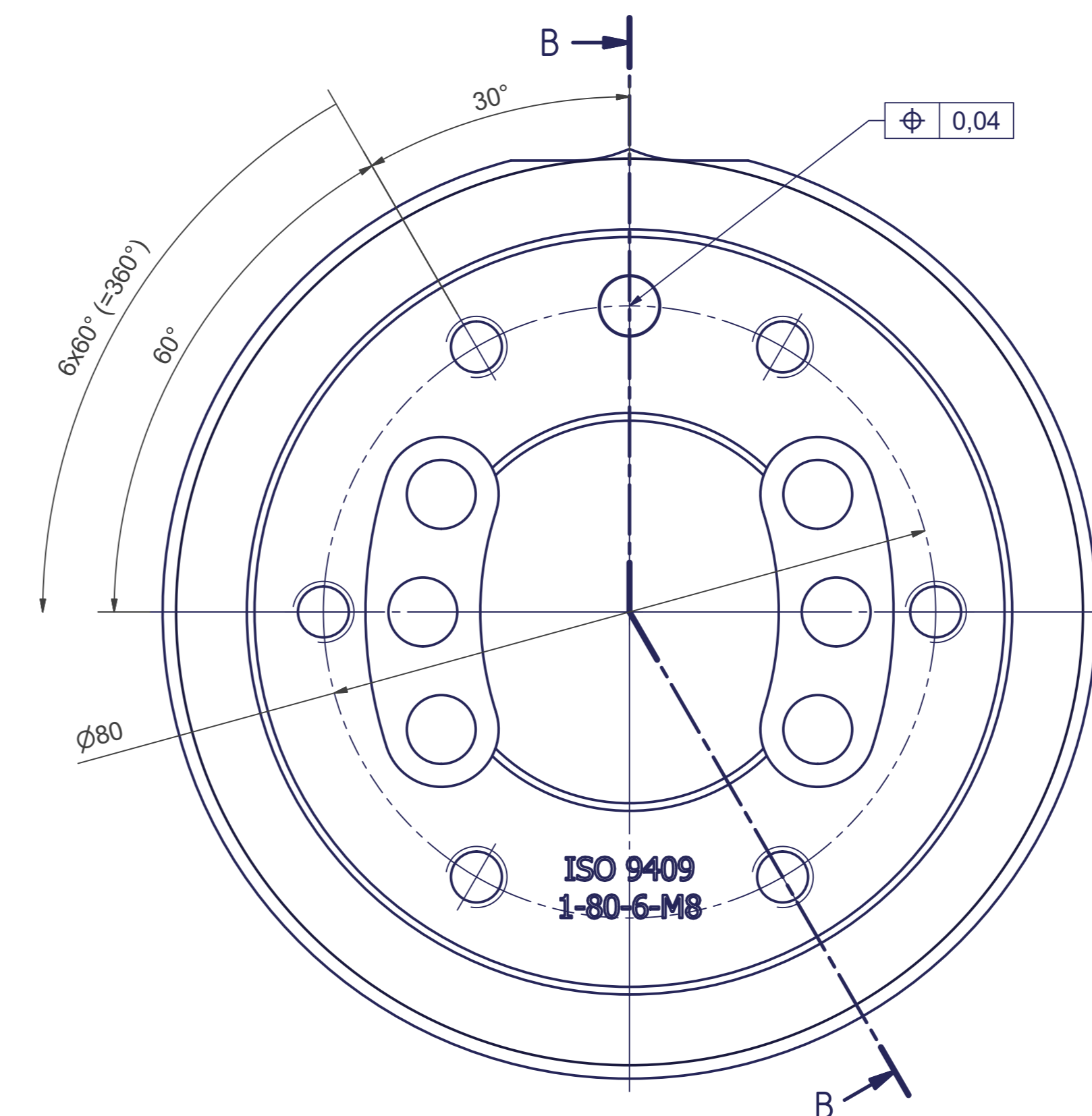


for screws M20 (DIN ISO 4014/4017-8.8) the tightening torque for these screws is 390 Nm (in steel frame)

A (3:2) Tool mounting flange



| Motion |                    |
|--------|--------------------|
| Axes   | Range fully usable |
| A1     | ± 185°             |
| A2     | - 88° / + 169° (*) |
| A3     | - 160° / + 78° (*) |
| A4     | ± 360°             |
| A5     | ± 360°             |
| A6     | ± 360°             |

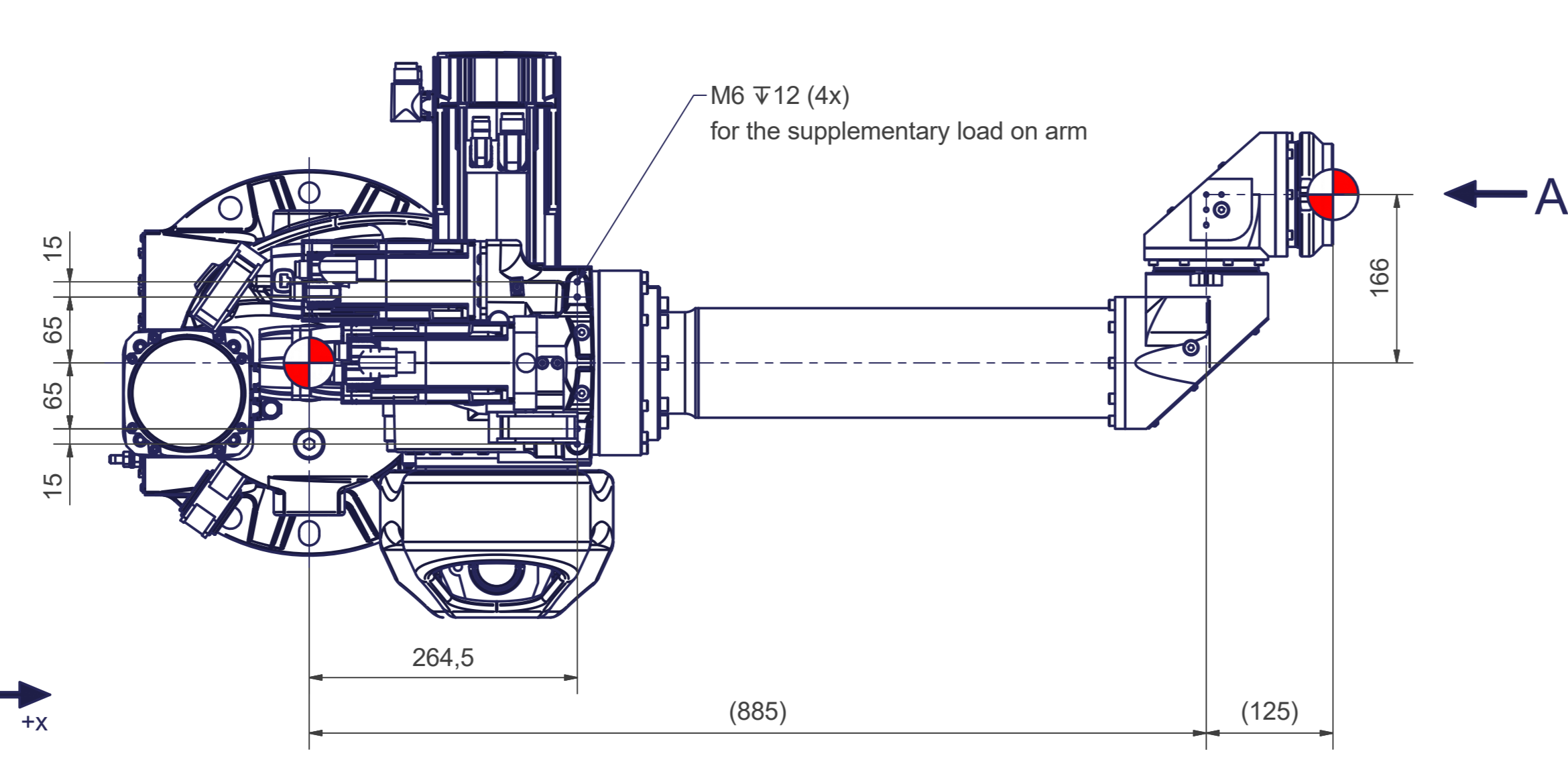
(\*) More information can be found in the document "calibration dimensions"

**PROTOTYPE**  
subject to change for serie

| articc.o6-1720-20kg       |                             |
|---------------------------|-----------------------------|
| Axes                      | 6                           |
| Payload (on TCP)          | 20 kg                       |
| Supplementary load on arm | 10 kg                       |
| Reach                     | 1720 mm                     |
| Mounting position         | Angle, Ceiling, Floor, Wall |

Connecting dimensions, valid for article number: AT\_00031

|                         |                |                  |
|-------------------------|----------------|------------------|
| kg                      | ⚡              | ⊙                |
| m=                      | kg             | A                |
| proj. storage surface = | m <sup>2</sup> | P=               |
| First angle projection  |                | P=               |
|                         |                | U=               |
|                         |                | Imax=            |
|                         |                | kw               |
|                         |                | V / Hz / Ph      |
|                         |                | A                |
|                         |                | bar              |
|                         |                | l/min            |
|                         |                | autonox Robotics |



Z (5:1)

