

Connecting dimensions,  
valid for article number A\_00095.01-T3

|                            |                |          |
|----------------------------|----------------|----------|
|                            |                |          |
| m= kg                      | A              | p= bar   |
| proj. storage surface = m² |                | v= l/min |
| First angle projection     | P= kW          |          |
|                            | U= V / Hz / Ph |          |
|                            | Imax= A        |          |

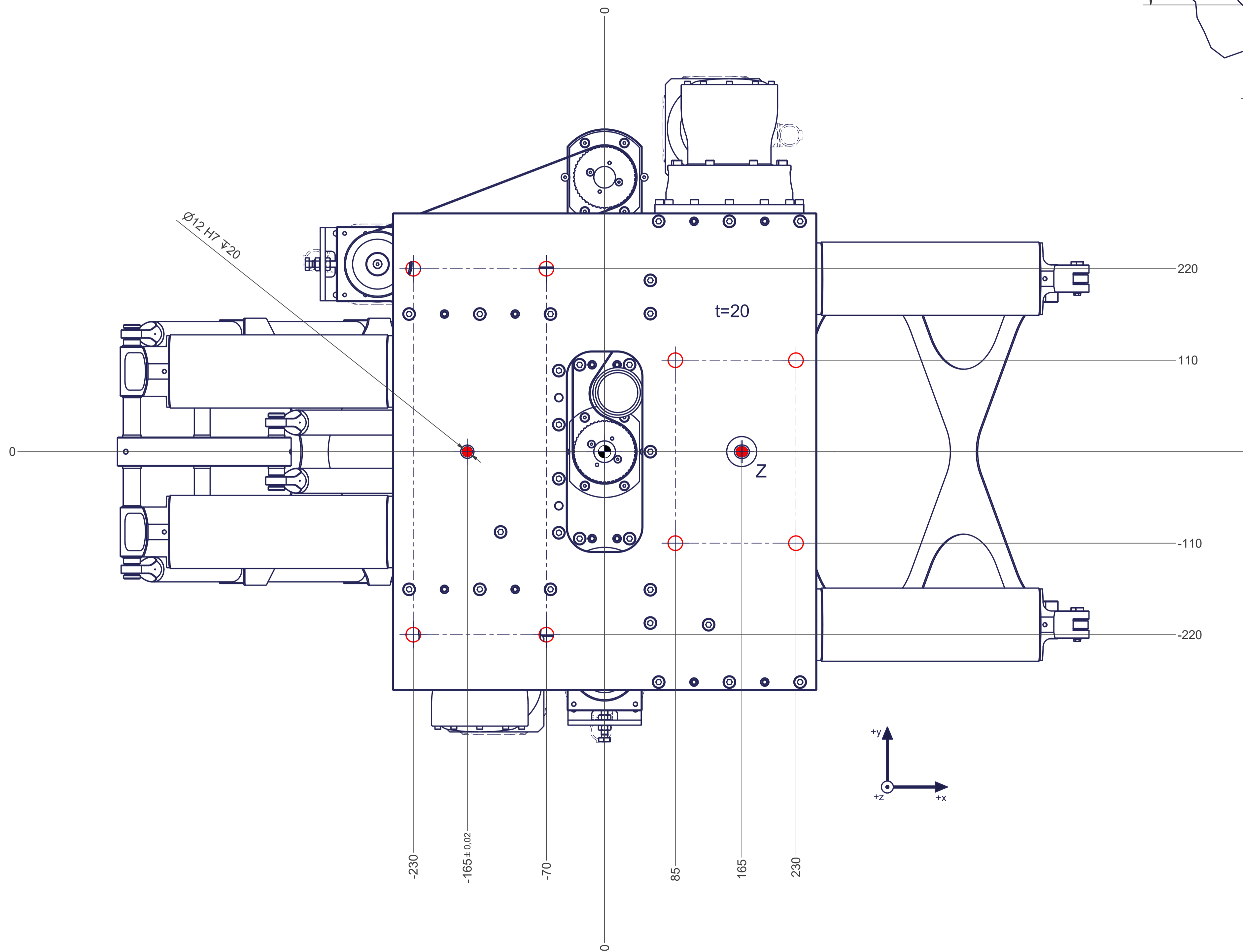
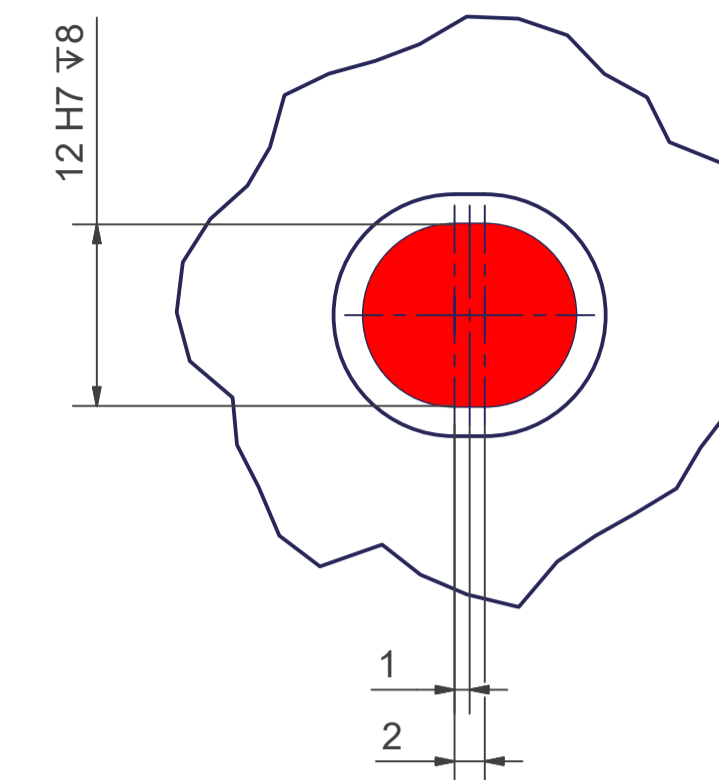


12 11 10 9 8 7 6 5 4 3 2 1

○ All fastening holes  $\varnothing 17,5$  mm for screws M16 (DIN ISO 4014/4017 -8.8) without washers. Fastening holes are coloured red.

● Drilling holes for locating pins are filled red. Recommend dimensions of locating pins:  $\varnothing 12$  h6

Z (2:1)



12 11 10 9 8 7 6 5 4 3 2 1