

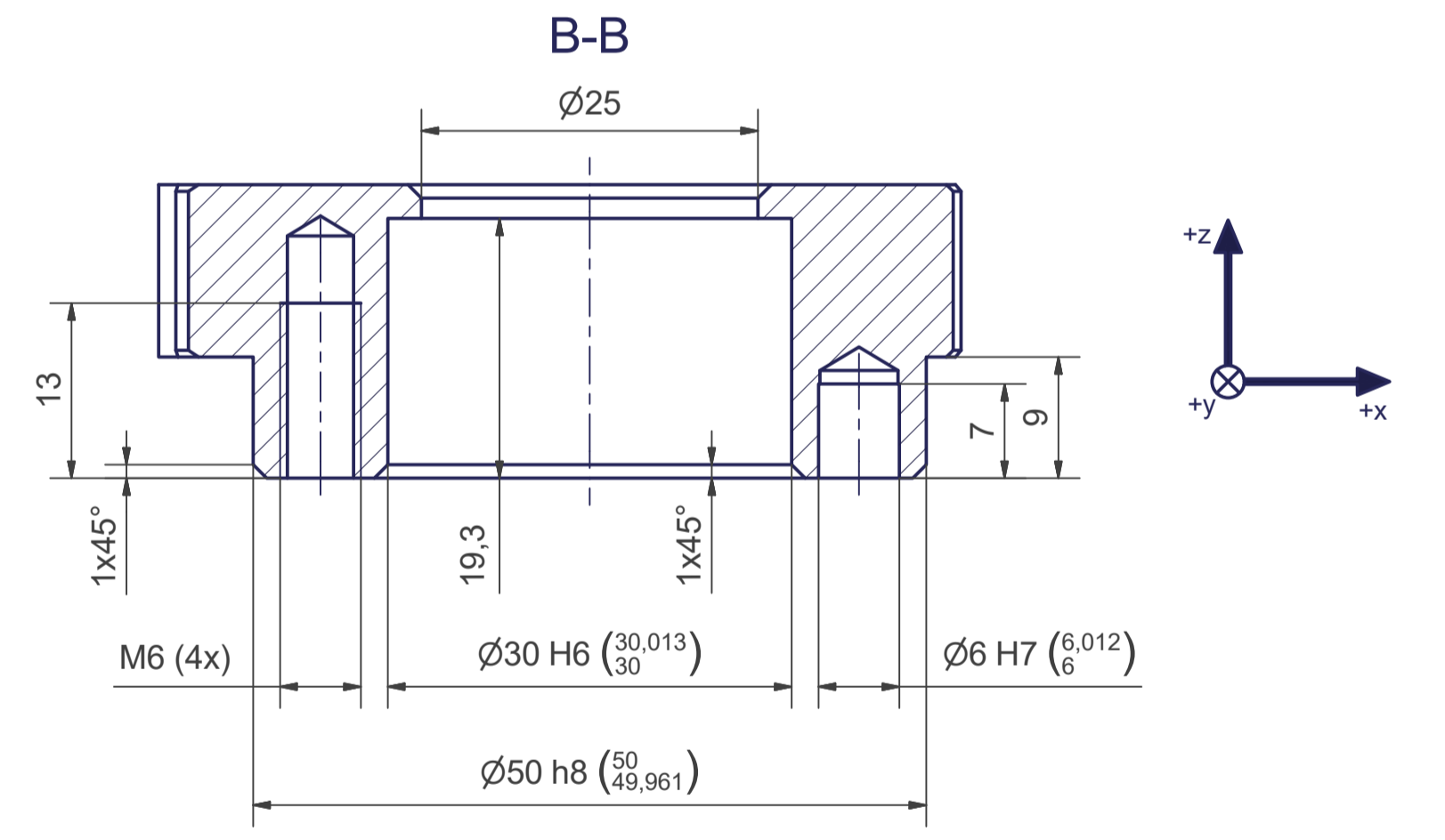
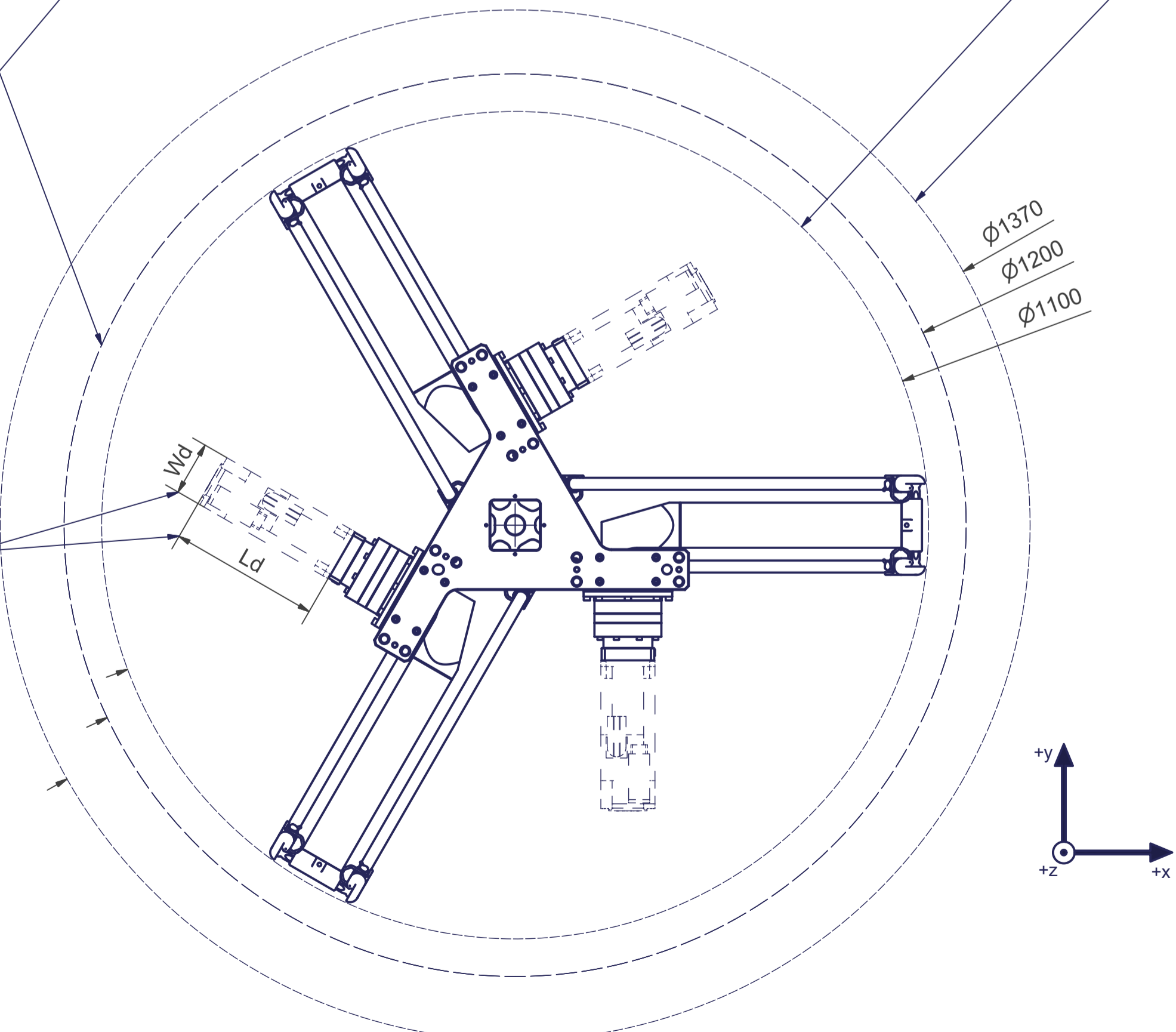
Tool Center Point  
TCP (on the plane of the flange)

TCP - working range

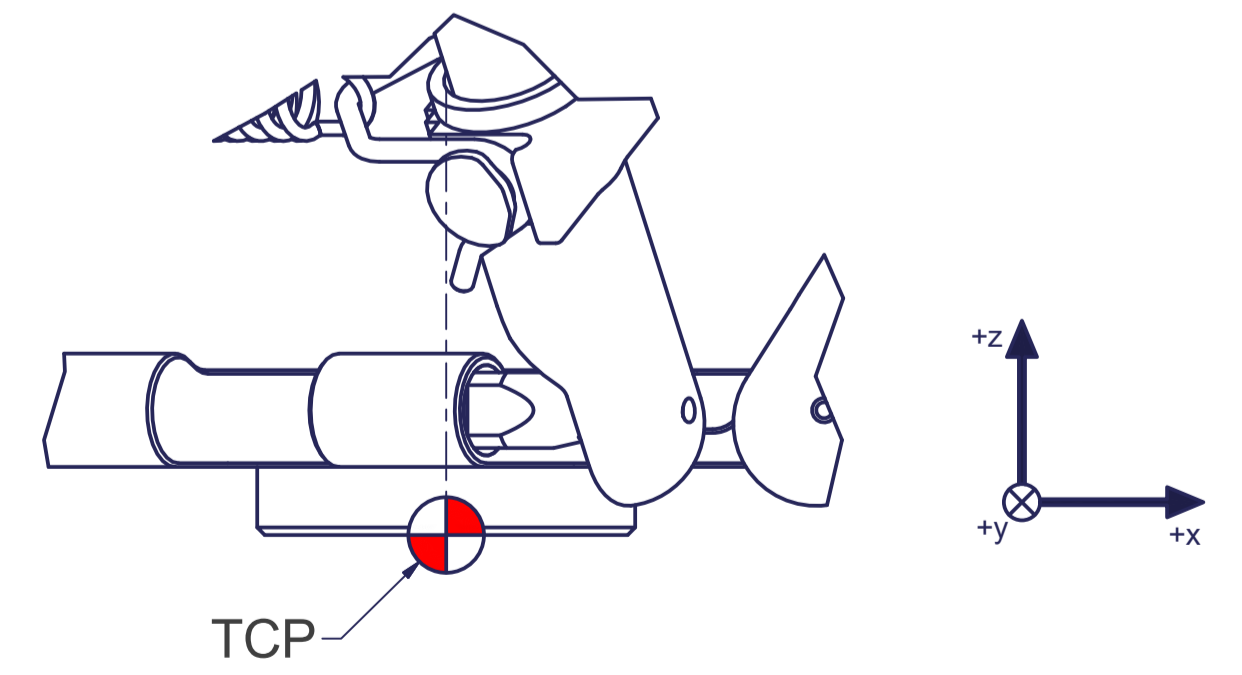
Depending on  
the drive type

Interference contour  
from machine body

Maximum interference  
contour



Z (1:1)



Connecting dimensions,  
valid for article number AL\_00005

m= kg	A	p= bar
proj. storage surface = m²		v̇= l/min
First angle projection	P= kW	
	U= V / Hz / Ph	
	I <sub>max</sub> = A	

12

11

10

9

8

7

6

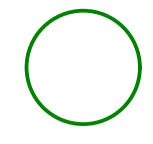
5

4

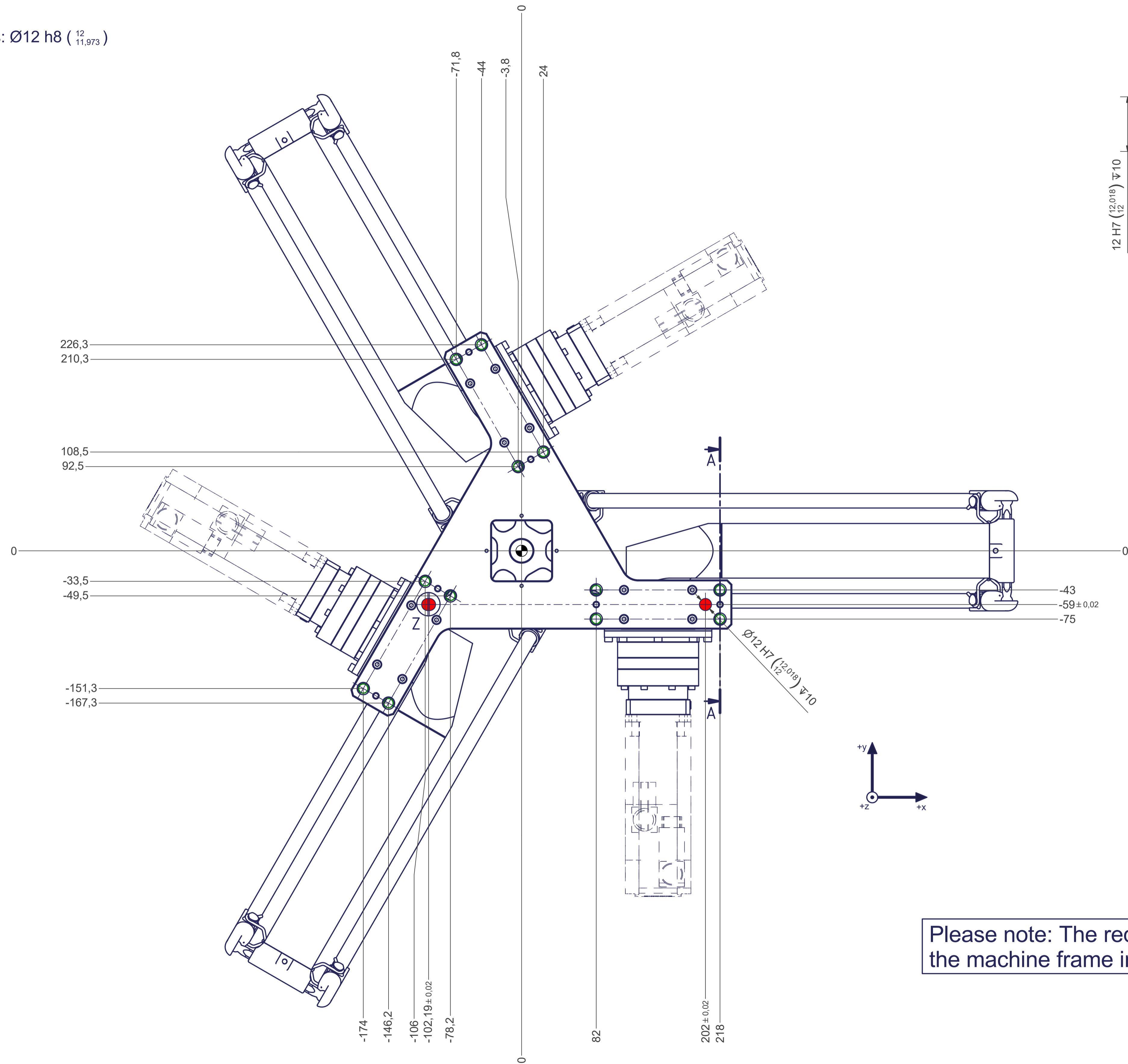
3

2

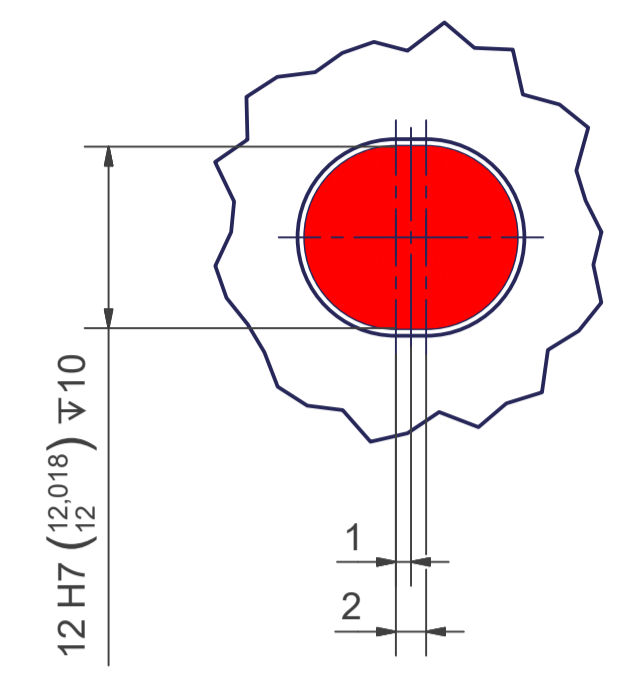
1

 Thread holes for screws M12 are coloured green.  
The tightening torque for these screws (strength class 8.8) is 41 Nm.

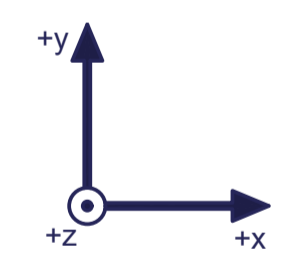
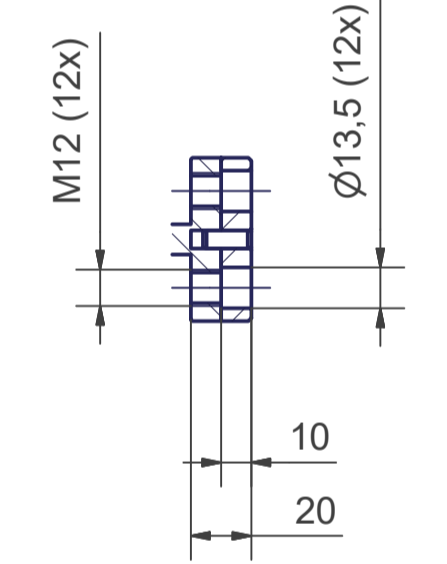
 Drilling holes for location pins are filled red.  
Recommended dimensions for locating pins:  $\text{Ø}12 \text{ h}8 \left( \begin{smallmatrix} 12 \\ 11,973 \end{smallmatrix} \right)$



Z (2 : 1)



A-A



Please note: The required flatness of the machine frame interface is 0,1mm.

12

11

10

9

8

7

6

5

4

3

2

1