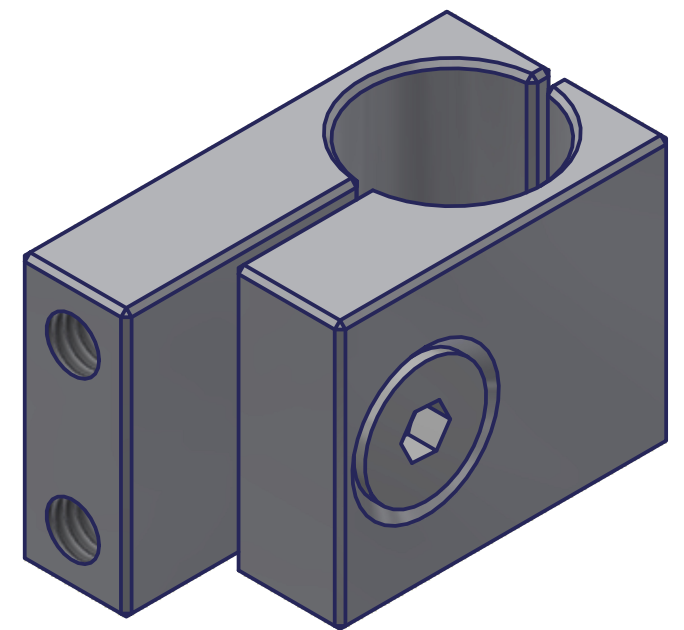


2x M6 15/20



m= 0,036 kg		
proj. storage surface =		p= bar
First angle projection		V̇= l/min
		P= kW
		U= V / Hz / Ph
	Imax= A	