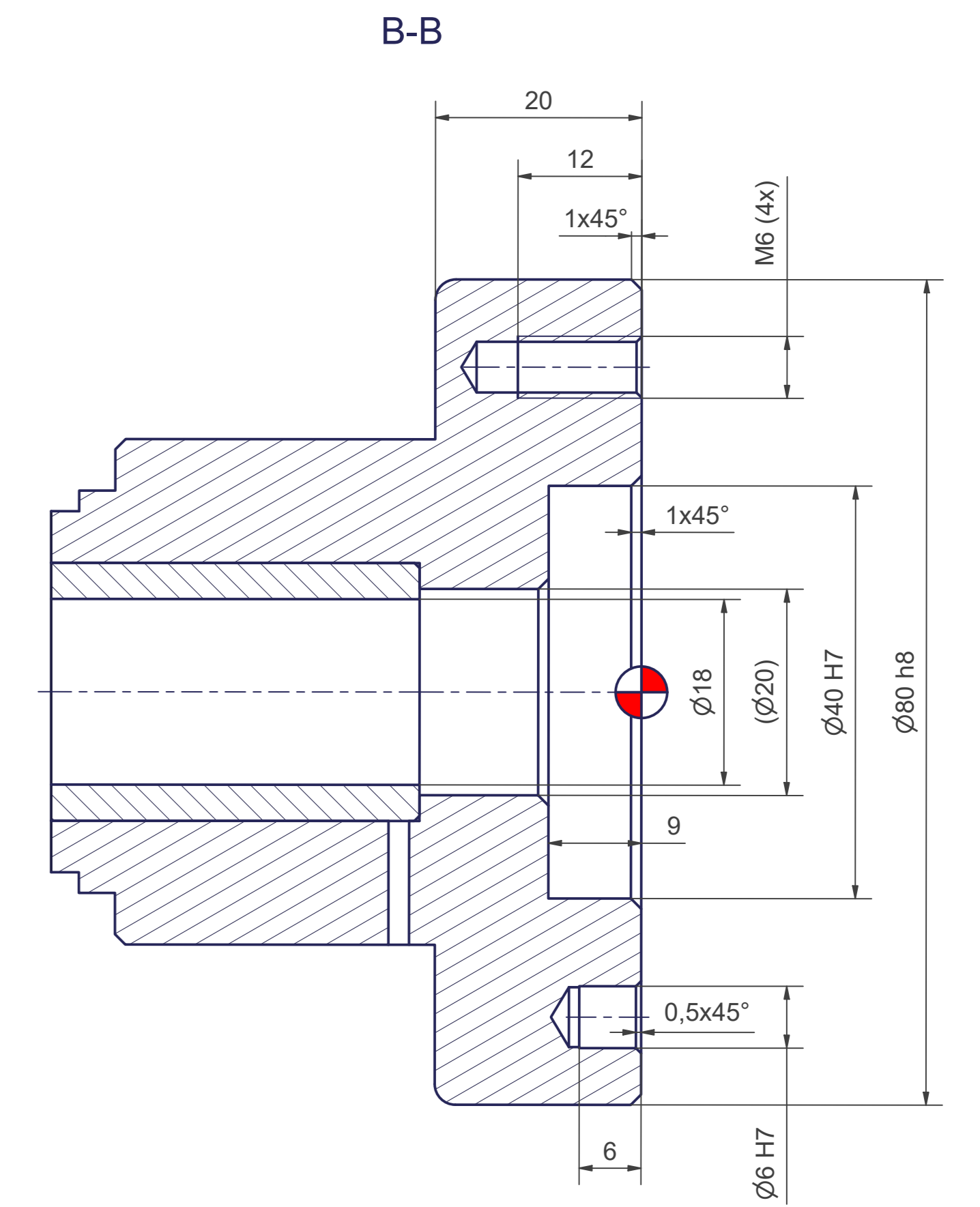
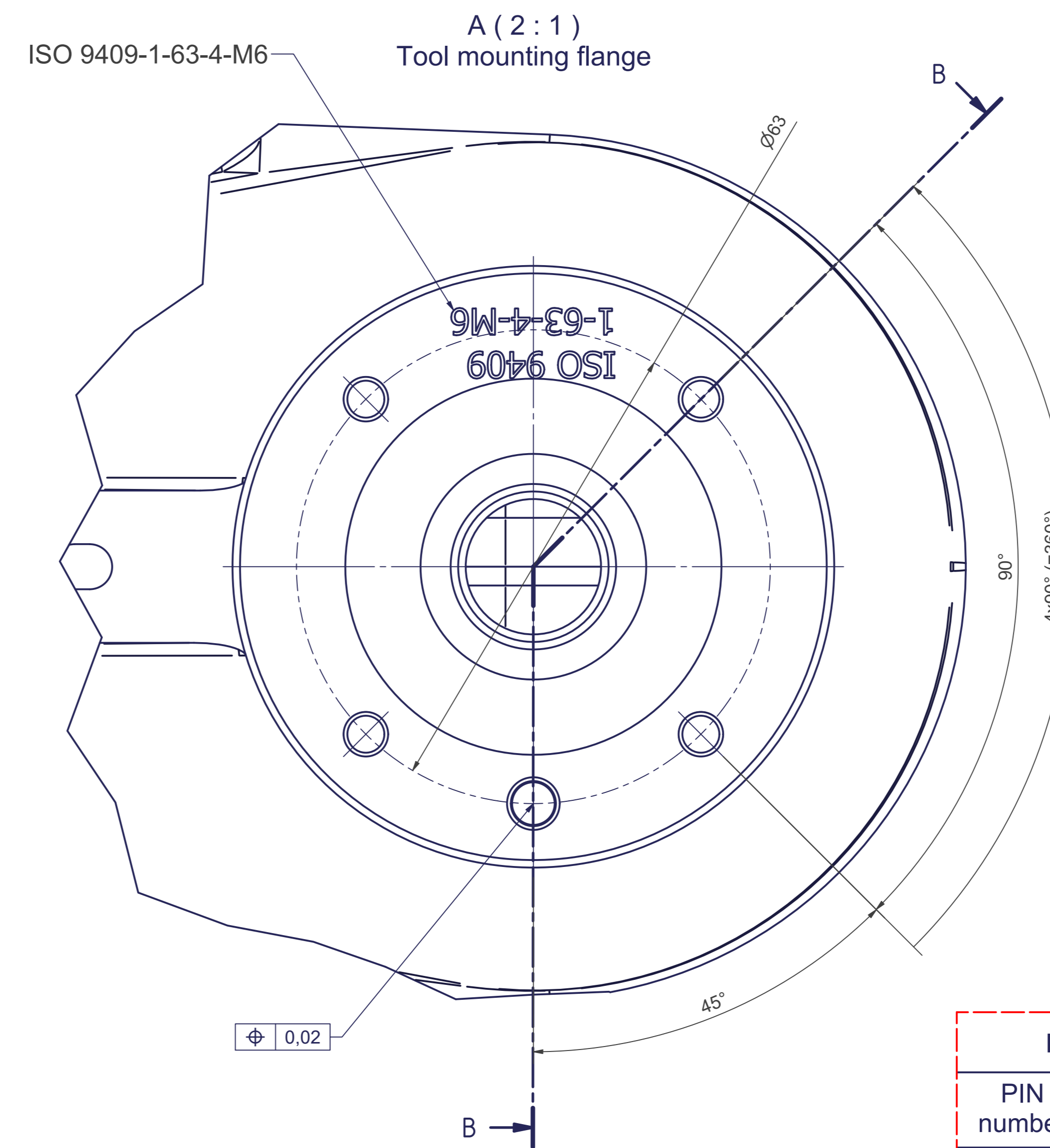
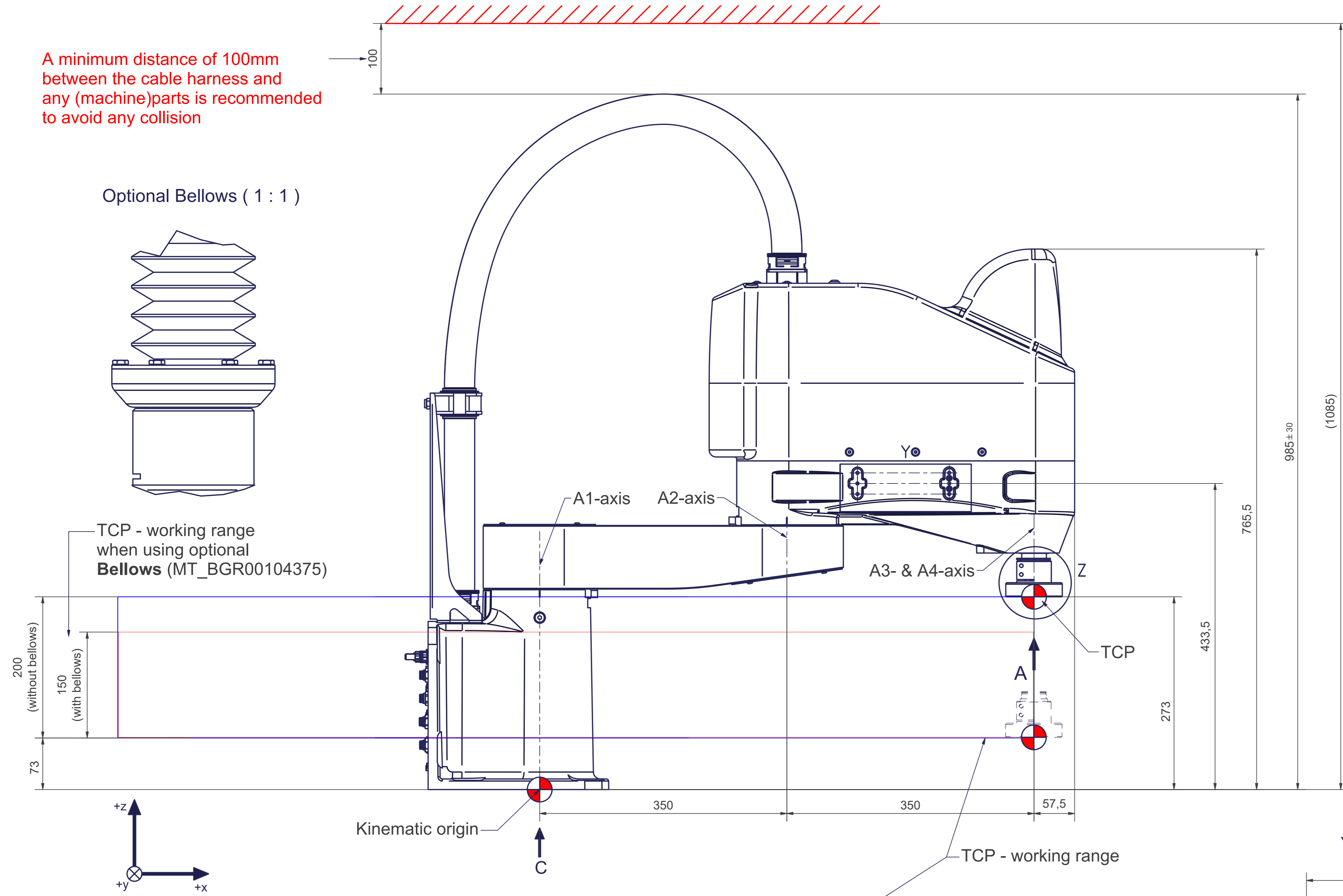
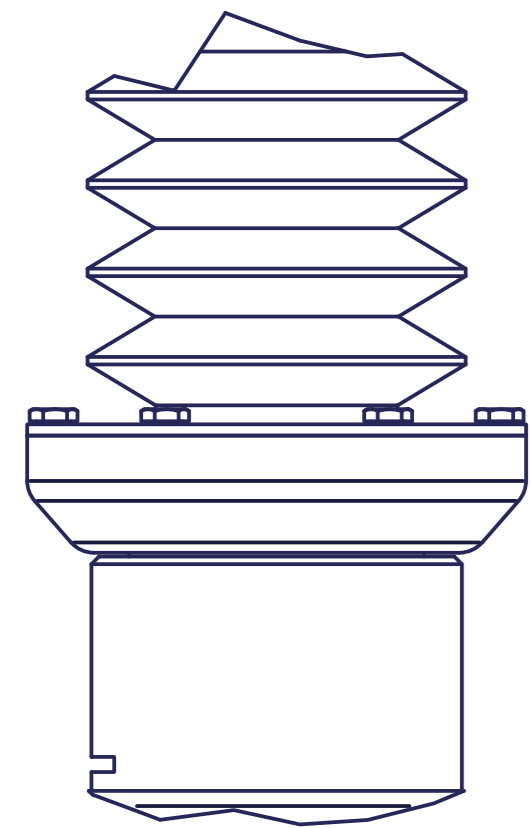


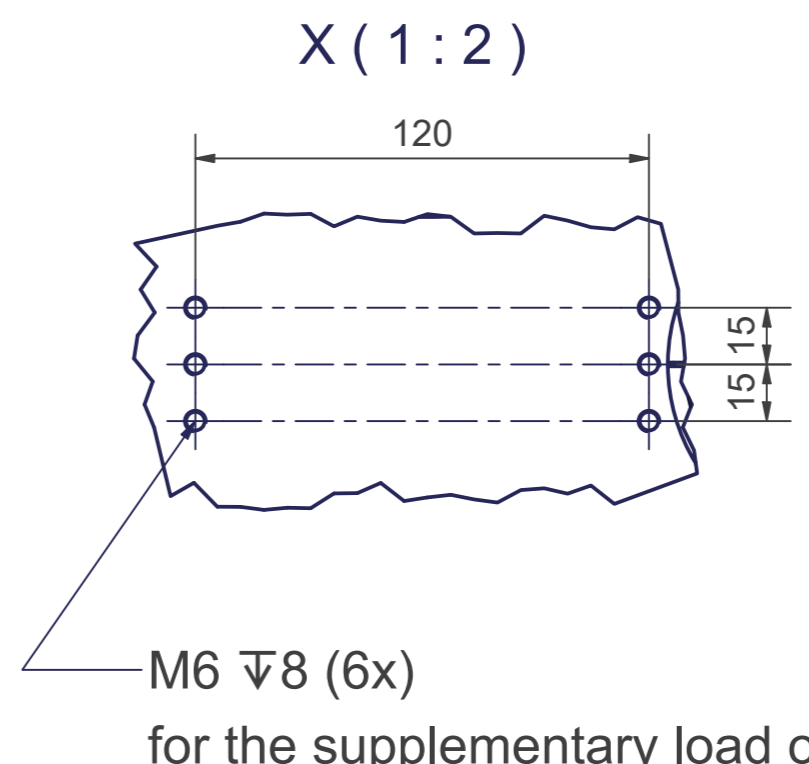
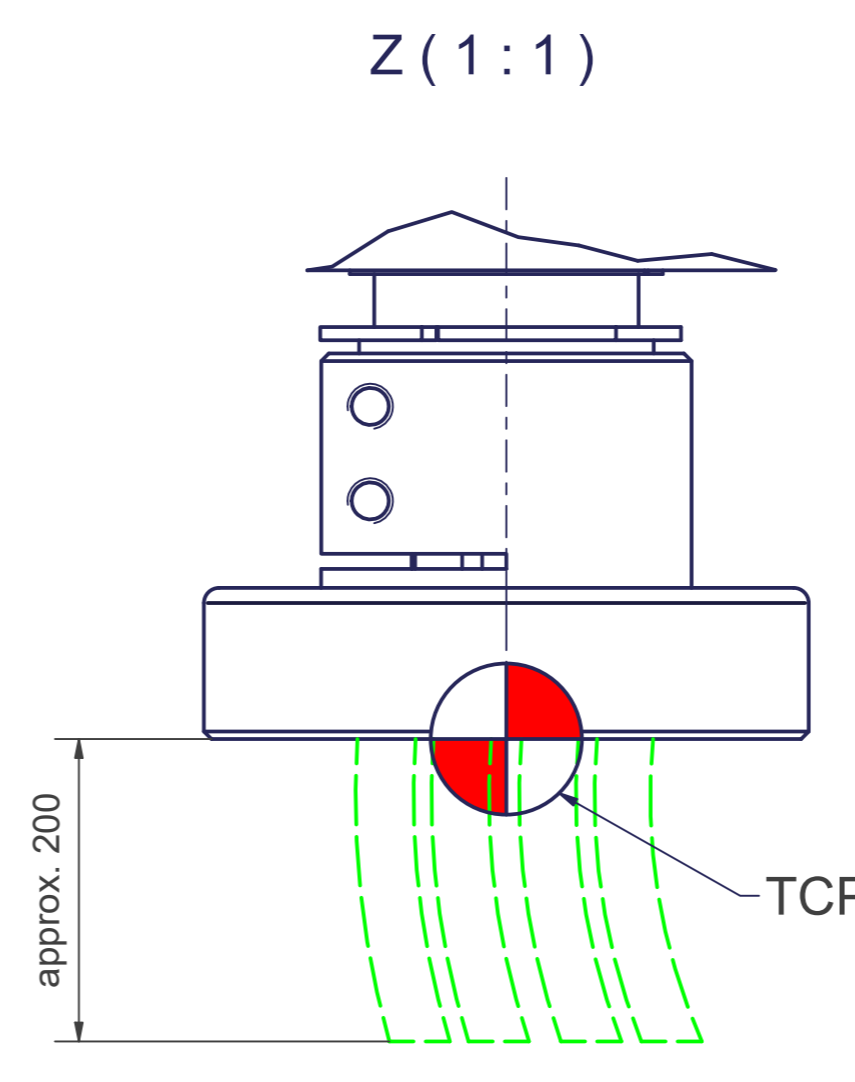
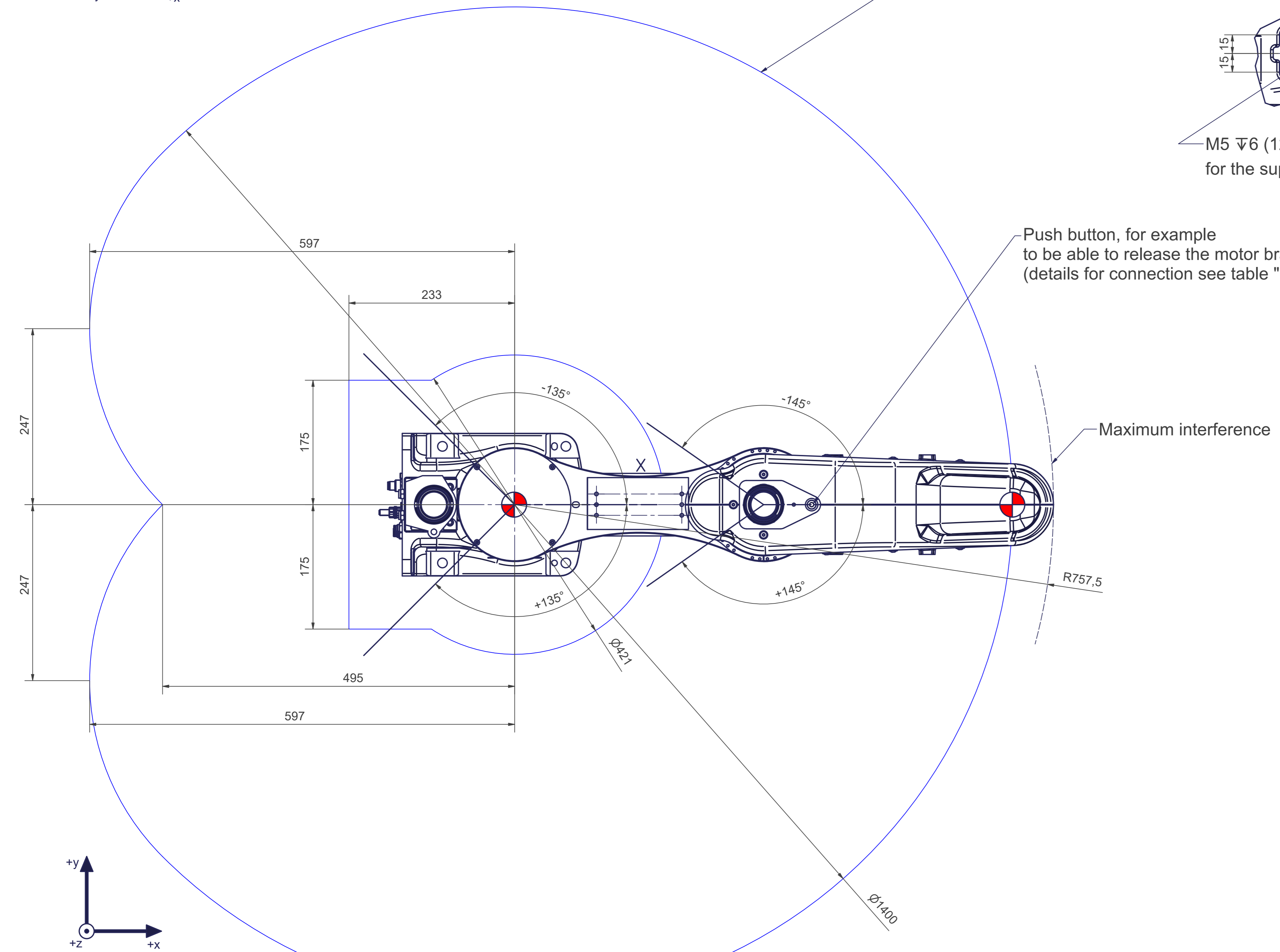
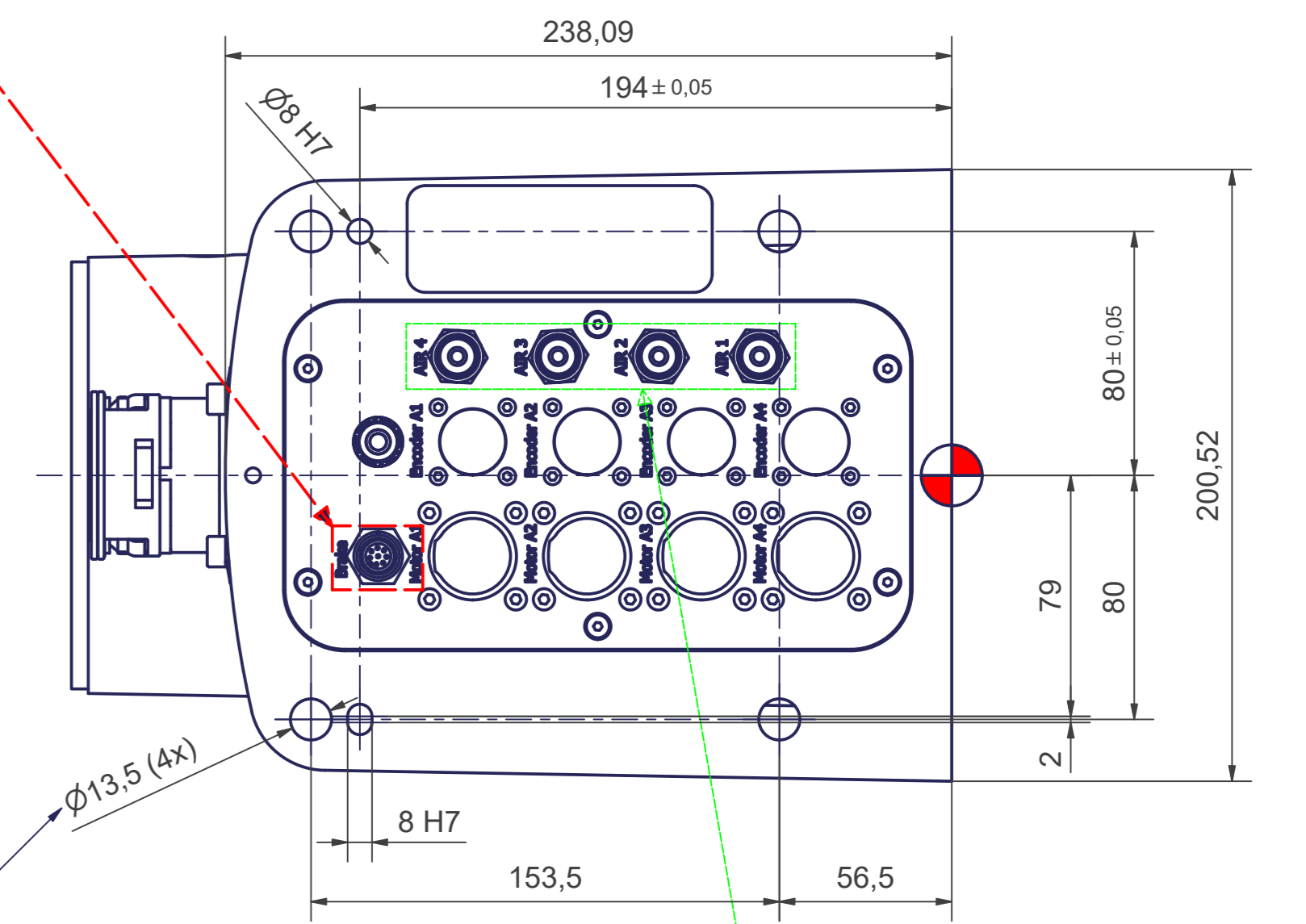
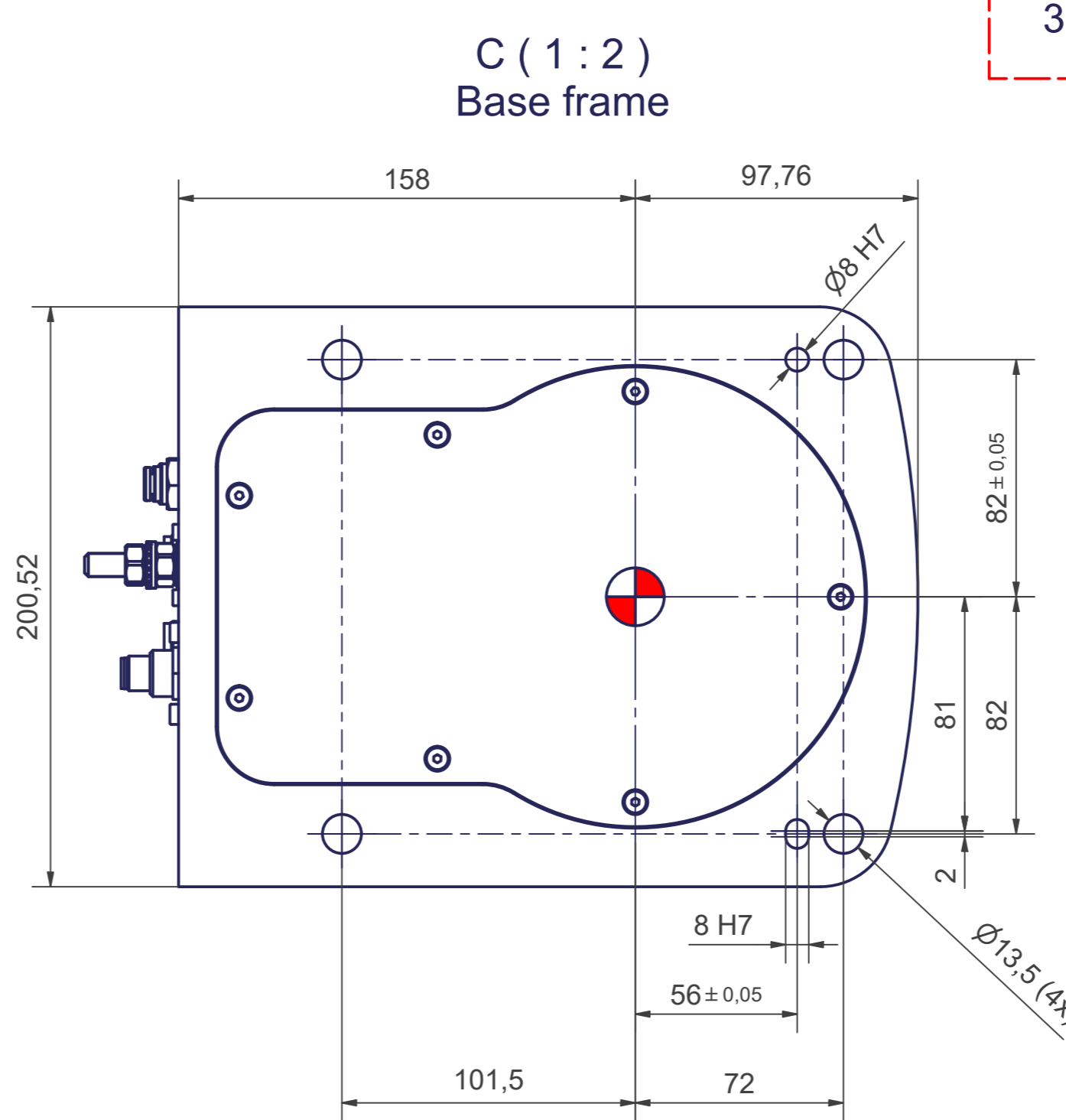
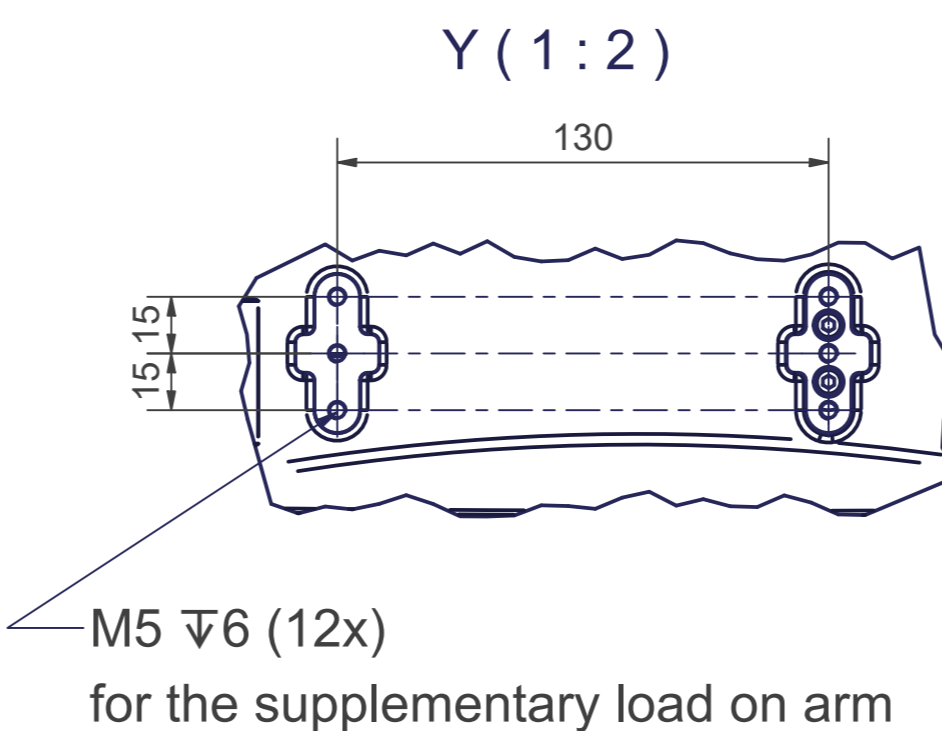
A minimum distance of 100mm between the cable harness and any (machine)parts is recommended to avoid any collision

Optional Bellows (1:1)



**PIN assignment by autonox Robotics**

PIN number	Connection to	M12 8-pin male
1	Push button	
2	Push button	
3 to 8	Not connected	



Push button, for example to be able to release the motor brakes (details for connection see table "PIN assignment")

for screws M12 (DIN ISO 4014/4017-8.8) the tightening torque for these screws is 83 Nm (in steel frame).

Incl. fourfold integrated media supply to the end effector (compressed air 8 bar / vacuum -1 bar / D = 6mm d = 4mm)

Incl. fourfold integrated media supply to the end effector (compressed air 8 bar / vacuum -1 bar / D = 6mm d = 4mm)

sCara4-700-6kg			Motion	
Axes	4		Axes	Range fully usable
Payload (on TCP)	6 kg		A1	± 135°
Reach	700 mm		A2	± 145°
Mounting position	Floor, ceiling, wall		A3	+ 73 mm / + 273 mm
			A4	± 360°

More information can be found in the document "calibration dimensions"

Connecting dimensions, valid for article number: AT\_00020

kg	kg	A	bar
m <sup>2</sup>	m <sup>2</sup>	mm	l/min
proj. storage surface =		kw	
		V / Hz / Ph	
		Imax=	

OPTIONAL:

Bellows MT\_BGR00104375

