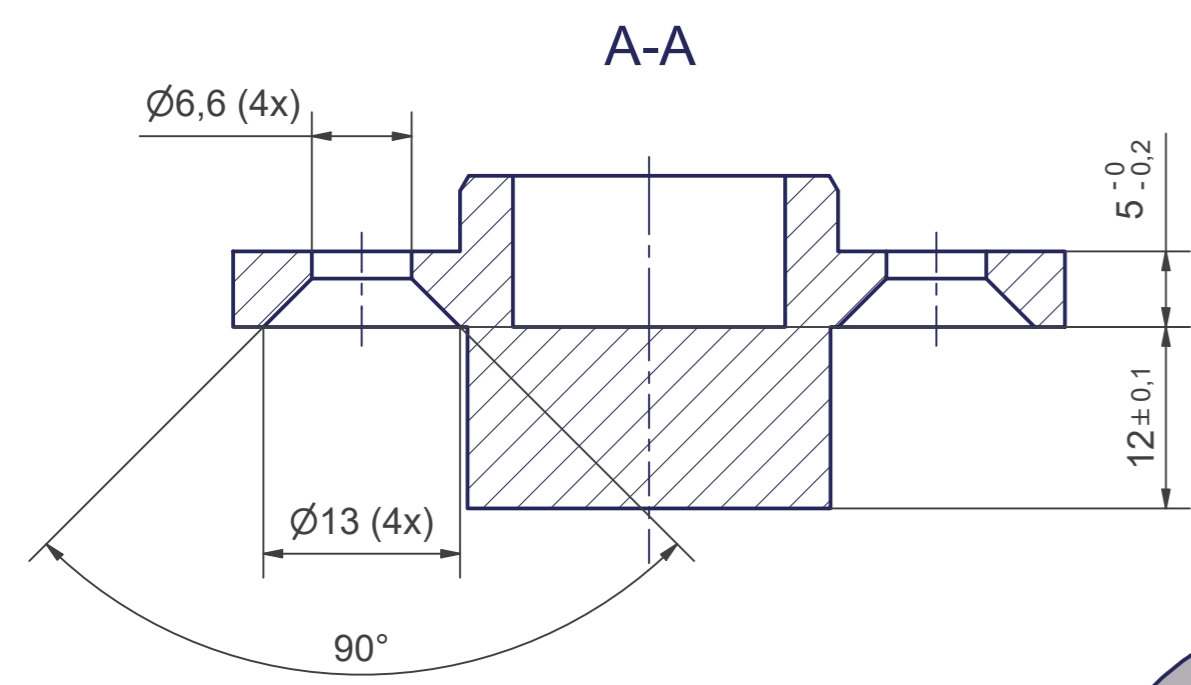
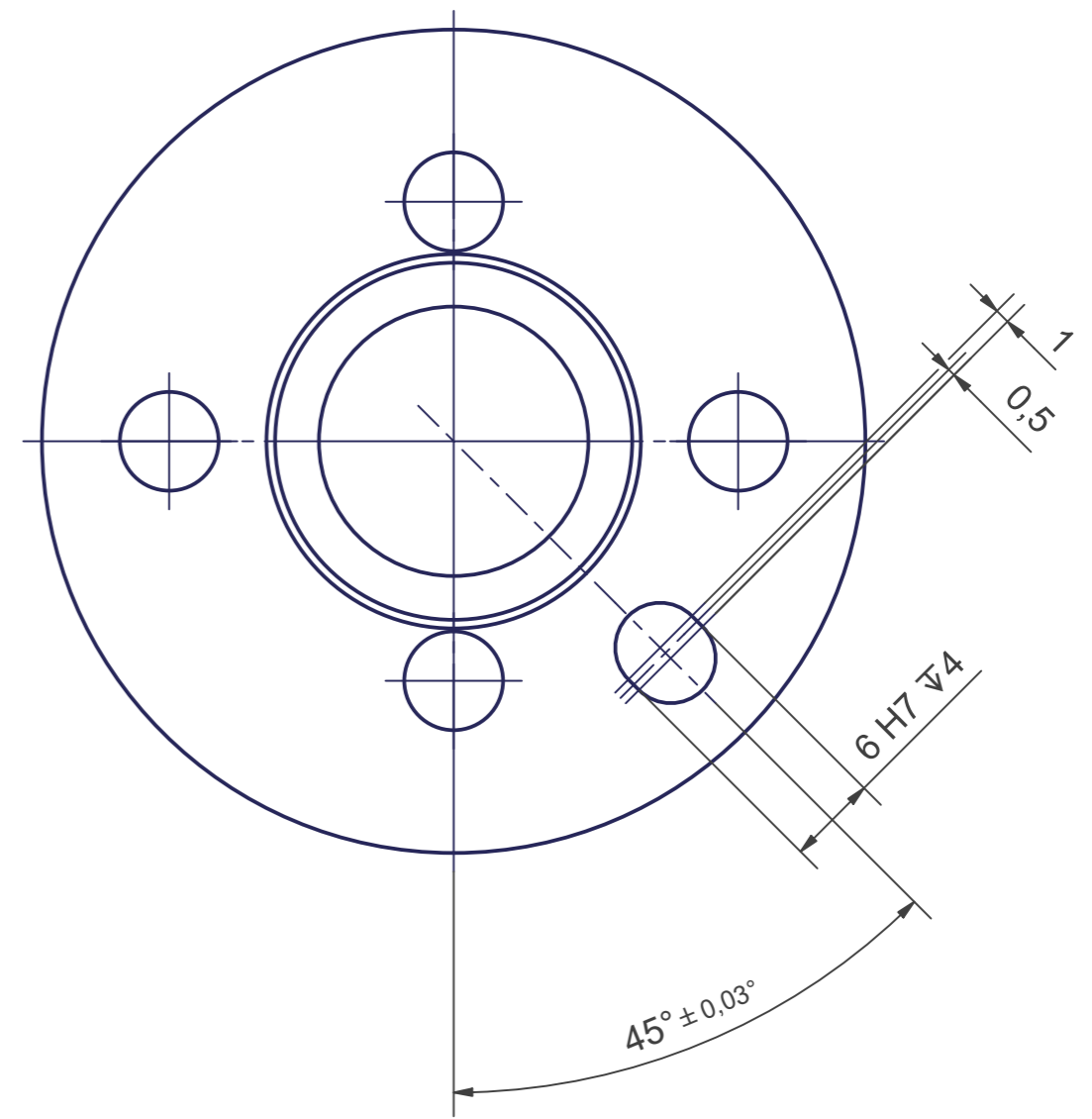
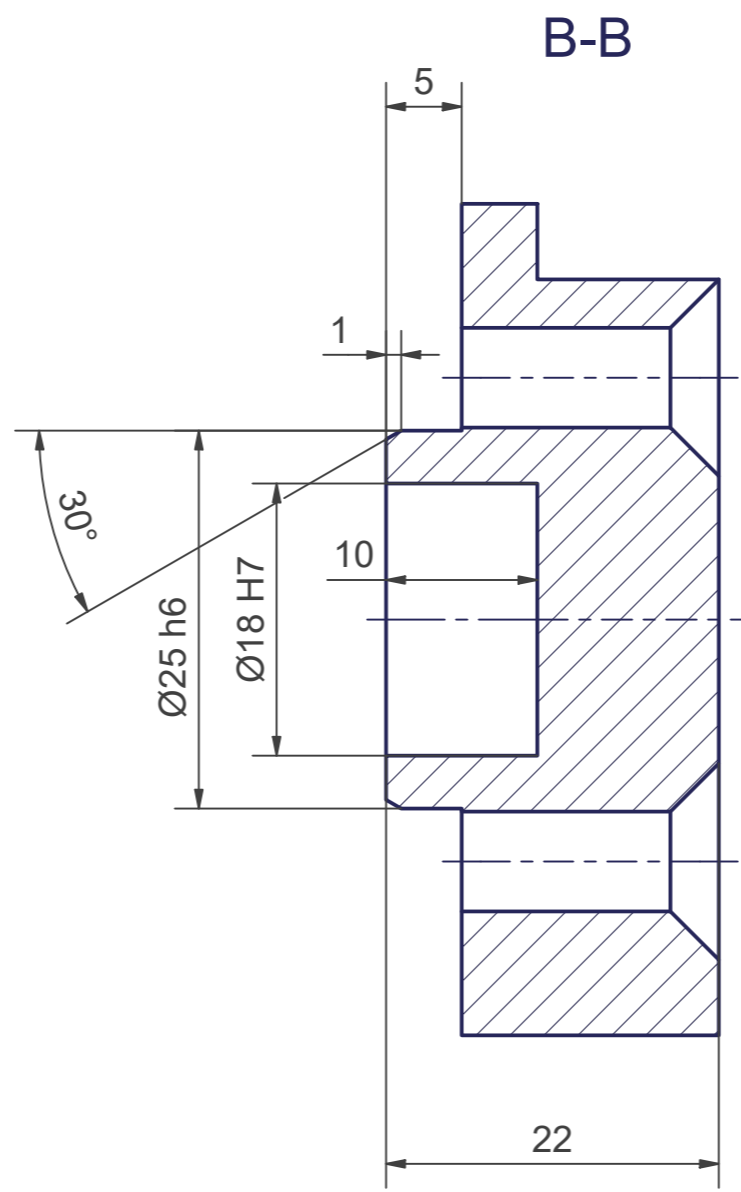
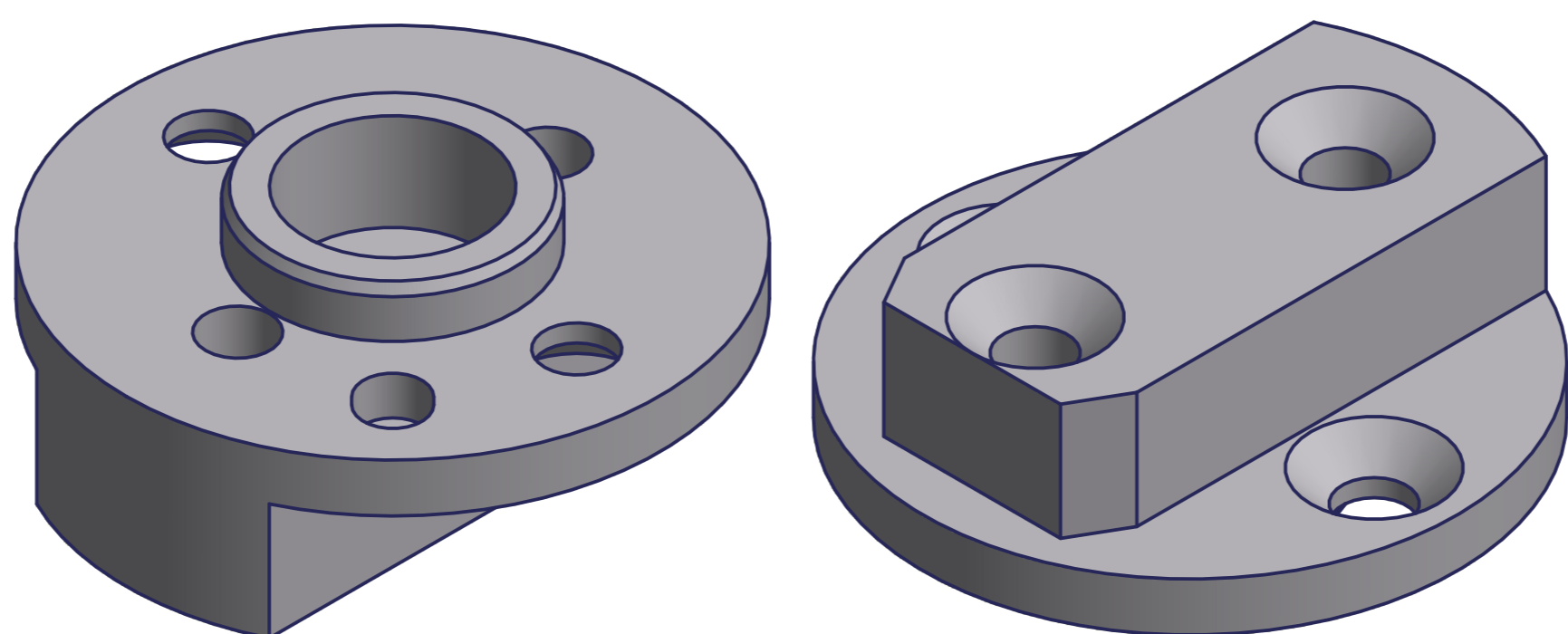


24 g6 $\begin{pmatrix} -0,007 \\ -0,02 \end{pmatrix}$



Connecting dimensions,
valid for article number MT_WST00112304



| | | |
|--|----------------------|-------------------|
| | | |
| m= kg | | |
| proj. storage surface = m ² | A | p= bar |
| First angle projection | | \dot{V} = l/min |
| | P= kW | |
| | U= V / Hz / Ph | |
| | I _{max} = A | |