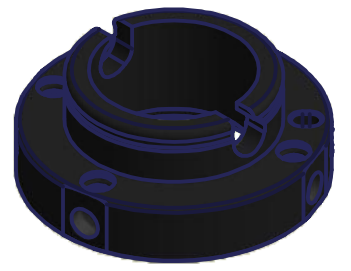
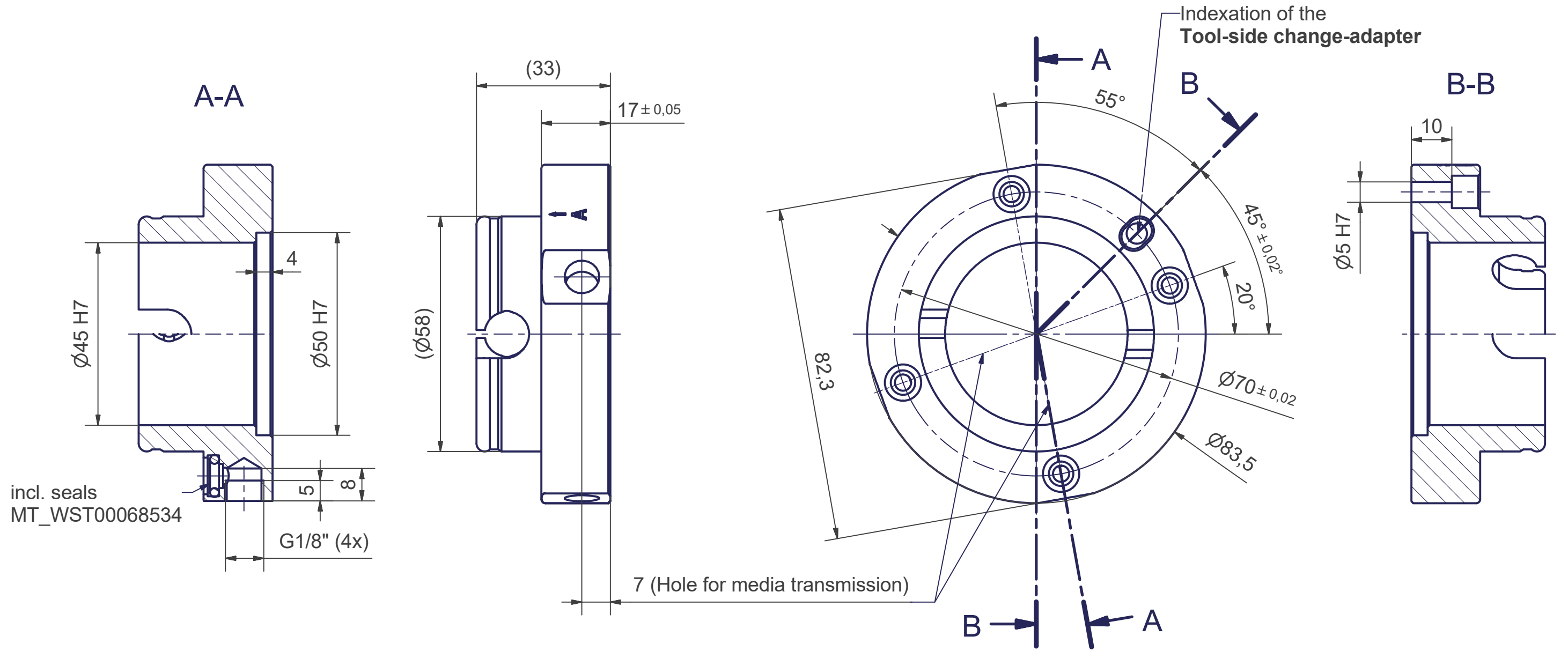


6 5 4 3 2 1

D
C
B
A

D
C
B
A



CAUTION for the mechanical finishing:
The surface is hard anodized.

m= kg	A	
proj. storage surface = m ²		p= bar
First angle projection	 P= kW U= V / Hz / Ph I _{max} = A	V= l/min

Valid for article number MT_BGR00021657

Rev_01

MT_BGR00021657

6 5 4 3 2 1