

Rev_01

Connecting dimensions, valid for article number A_00883

m= kg	A	p= bar
proj. storage surface = m²	P= kW	v= l/min
First angle projection	U= V / Hz / Ph	
	Imax= A	

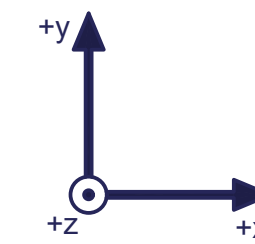
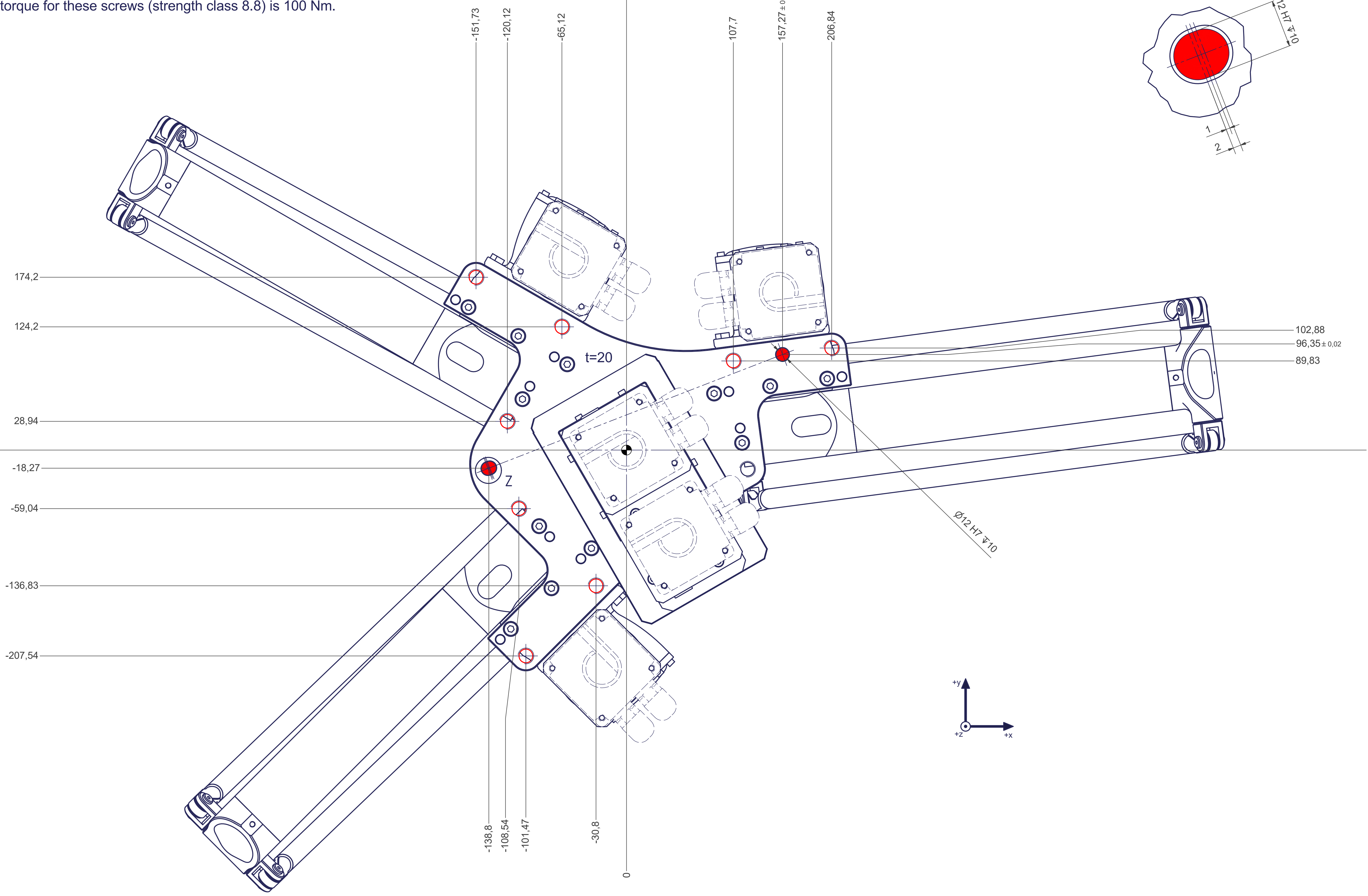
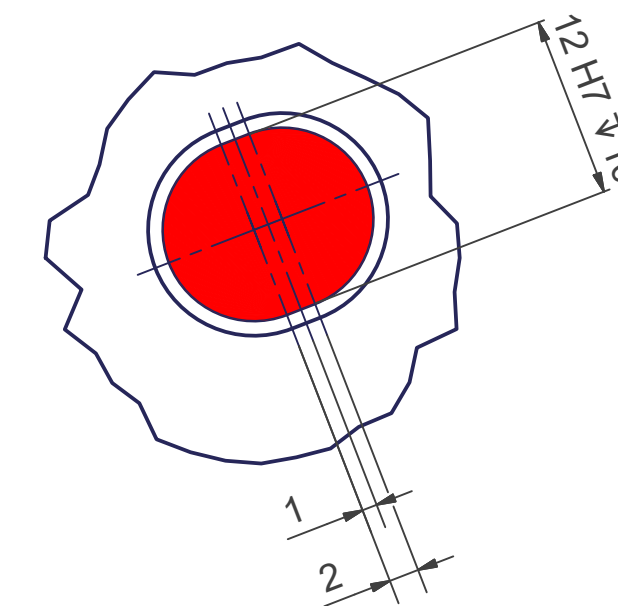
A_00883

12 11 10 9 8 7 6 5 4 3 2 1

● Drilling holes for locating pins are filled red.
Recommended dimensions of locating pins: $\varnothing 12$ h6

○ Thread holes for screws M16 are coloured green.
The tightening torque for these screws (strength class 8.8) is 100 Nm.

Z (2:1)



12 11 10 9 8 7 6 5 4 3 2 1