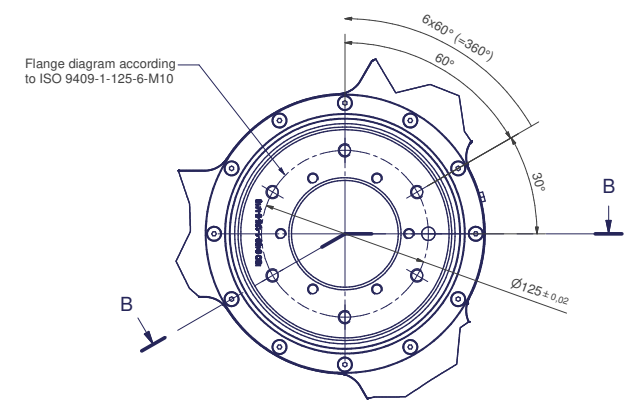
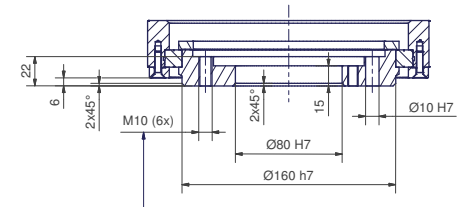


A (1:2)

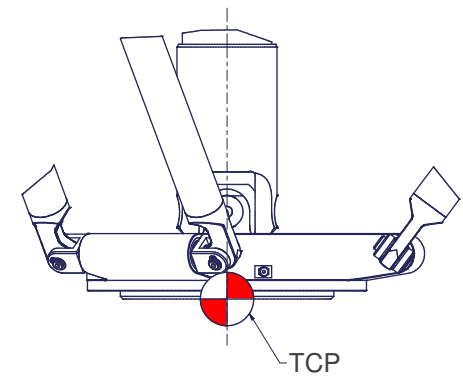


B-B



Screws strength class 8.8  
Fasten with max. 40 Nm  
Do not use bonding agent.

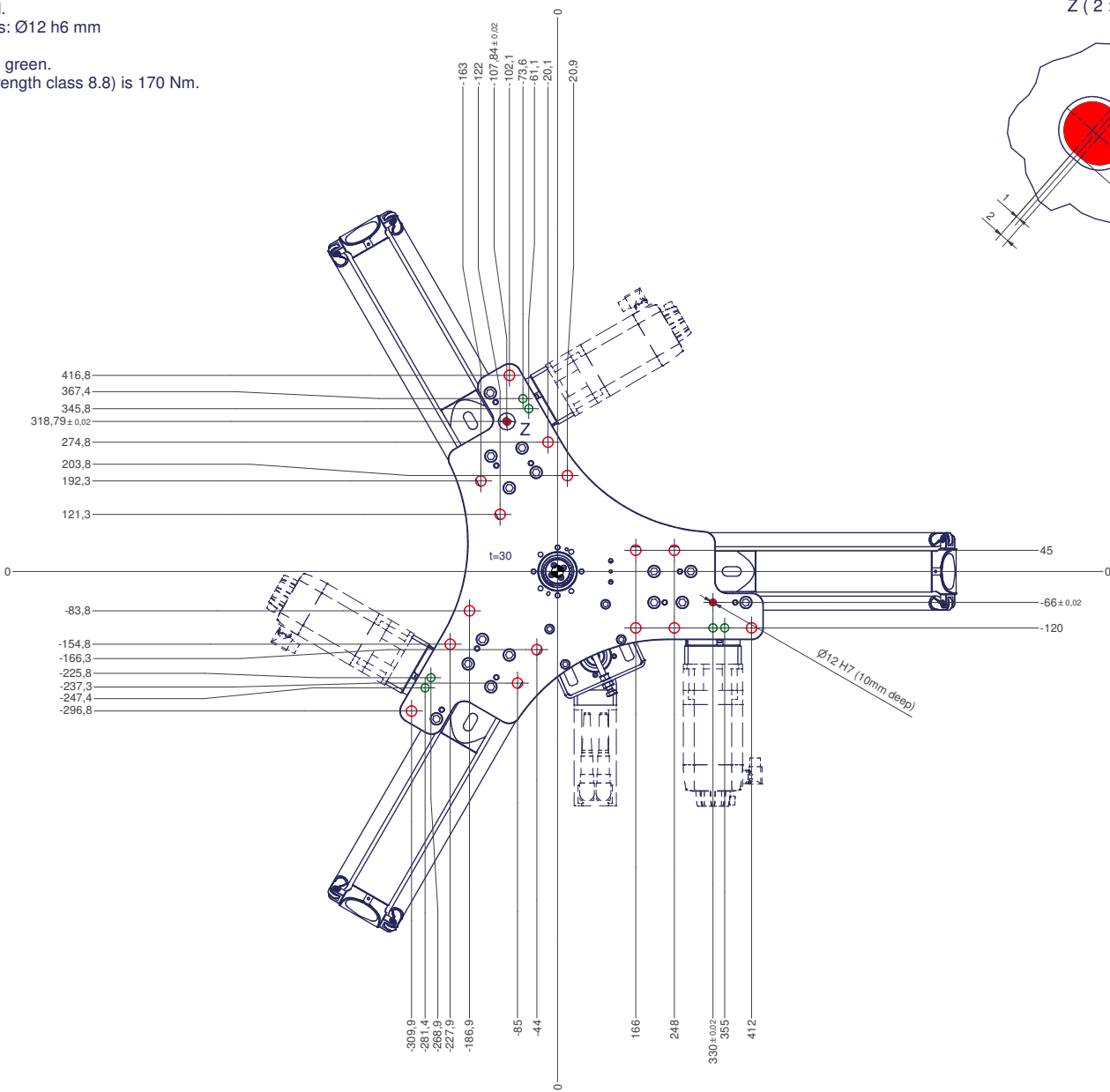
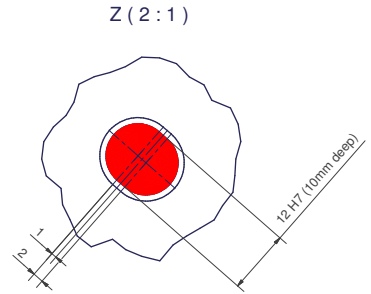
Z (1:2)



m= kg	A	bar
projected storage surface = m <sup>2</sup>	P= kW	ψ= l/min
U= V / Hz / Ph	I <sub>max</sub> = A	

12 11 10 9 8 7 6 5 4 3 2 1

- All fastening holes Ø22mm for screws M20 (DIN ISO 4014/4017 -8.8) without washer. Fastening holes are coloured red. The tightening torque for these screws (strength class 8.8) is 360 Nm. (in a steel frame)
- Drilling holes for locating pins are filled red. Recommended dimensions of locating pins: Ø12 h6 mm
- Thread holes for screws M20 are coloured green. The tightening torque for these screws (strength class 8.8) is 170 Nm.



12 11 10 9 8 7 6 5 4 3 2 1