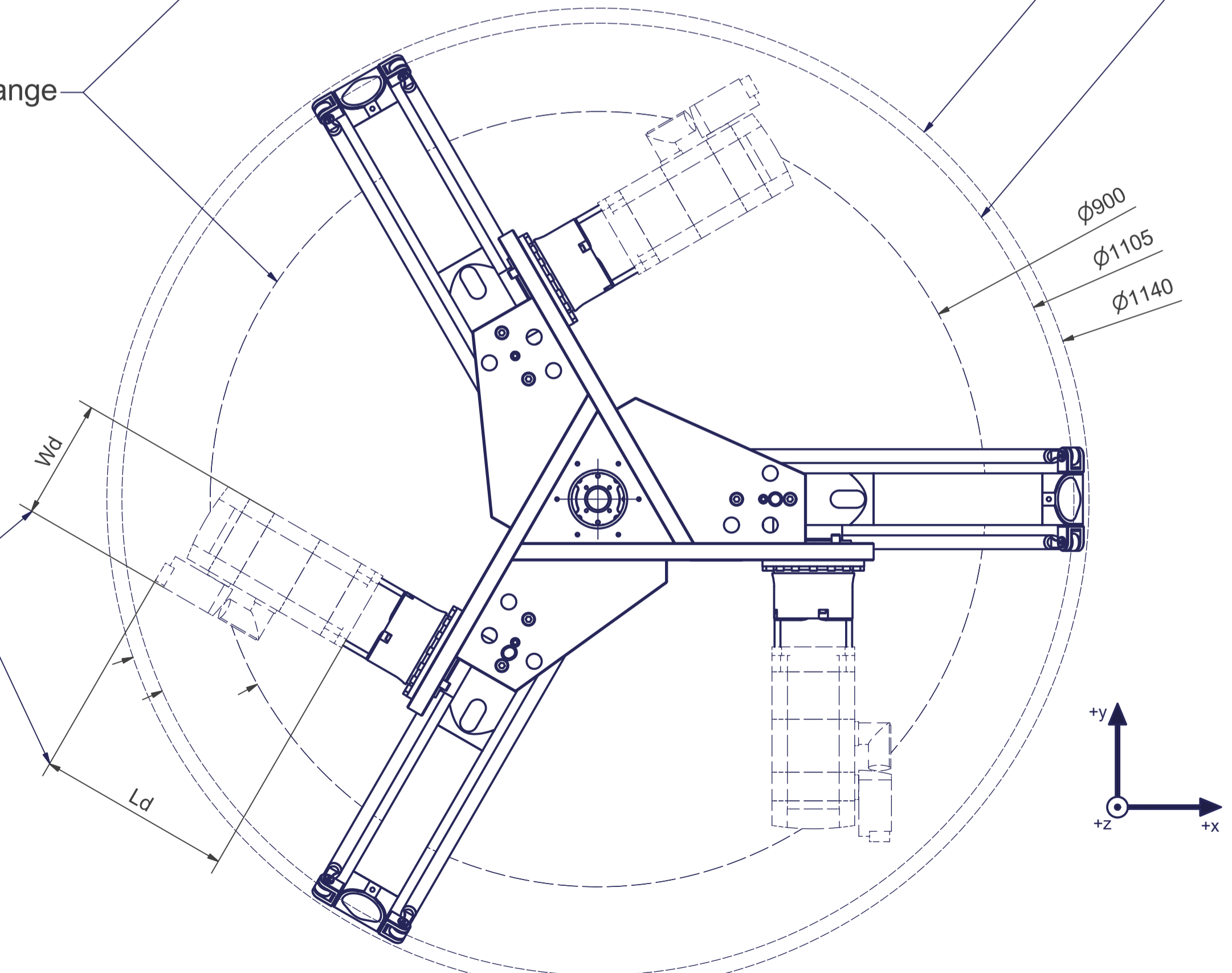


Tool Center Point
TCP (on the plane of the flange)

TCP - working range

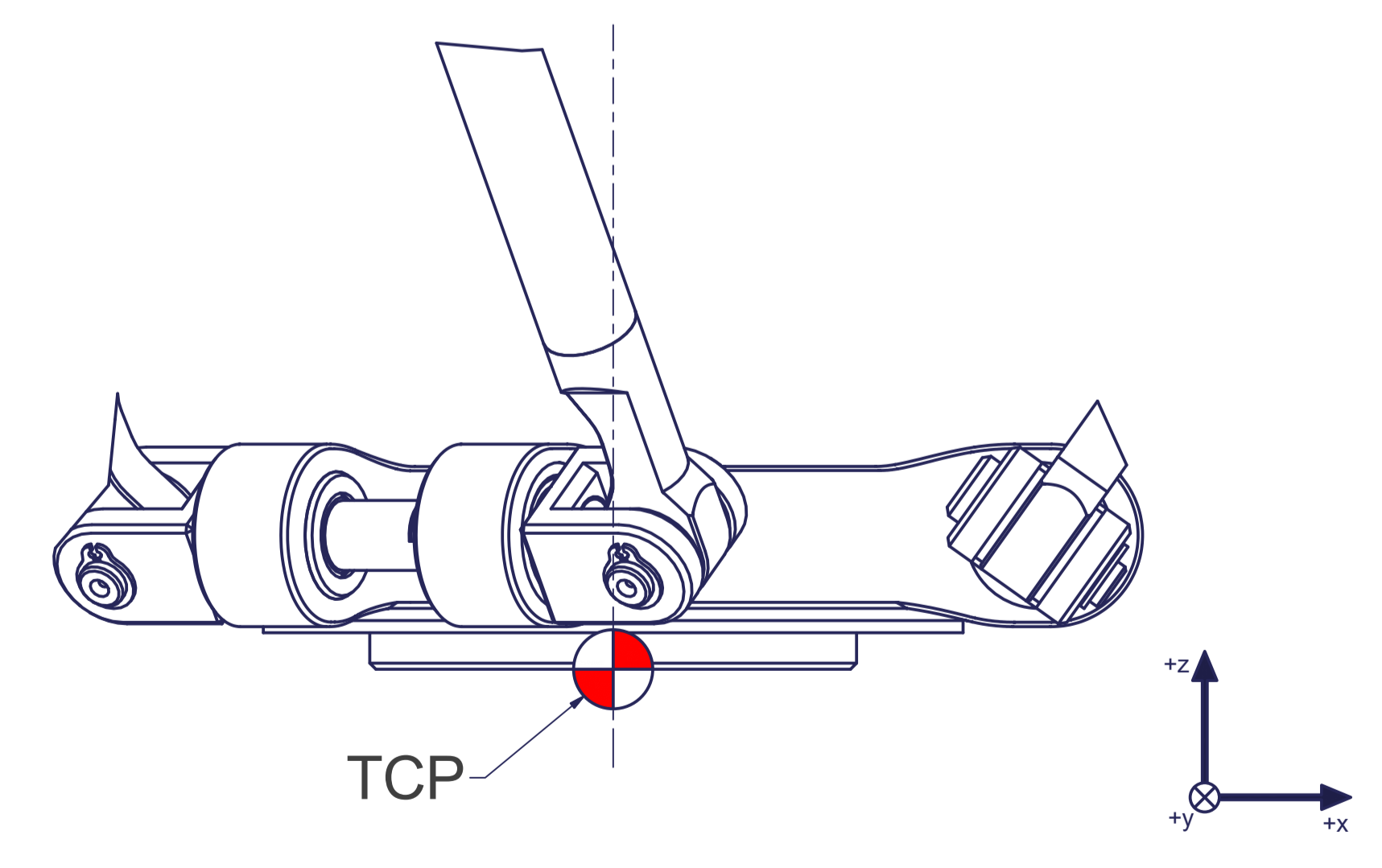
Interference contour from machine body

Maximum interference contour



Depending on the drive type




Z (1:1)



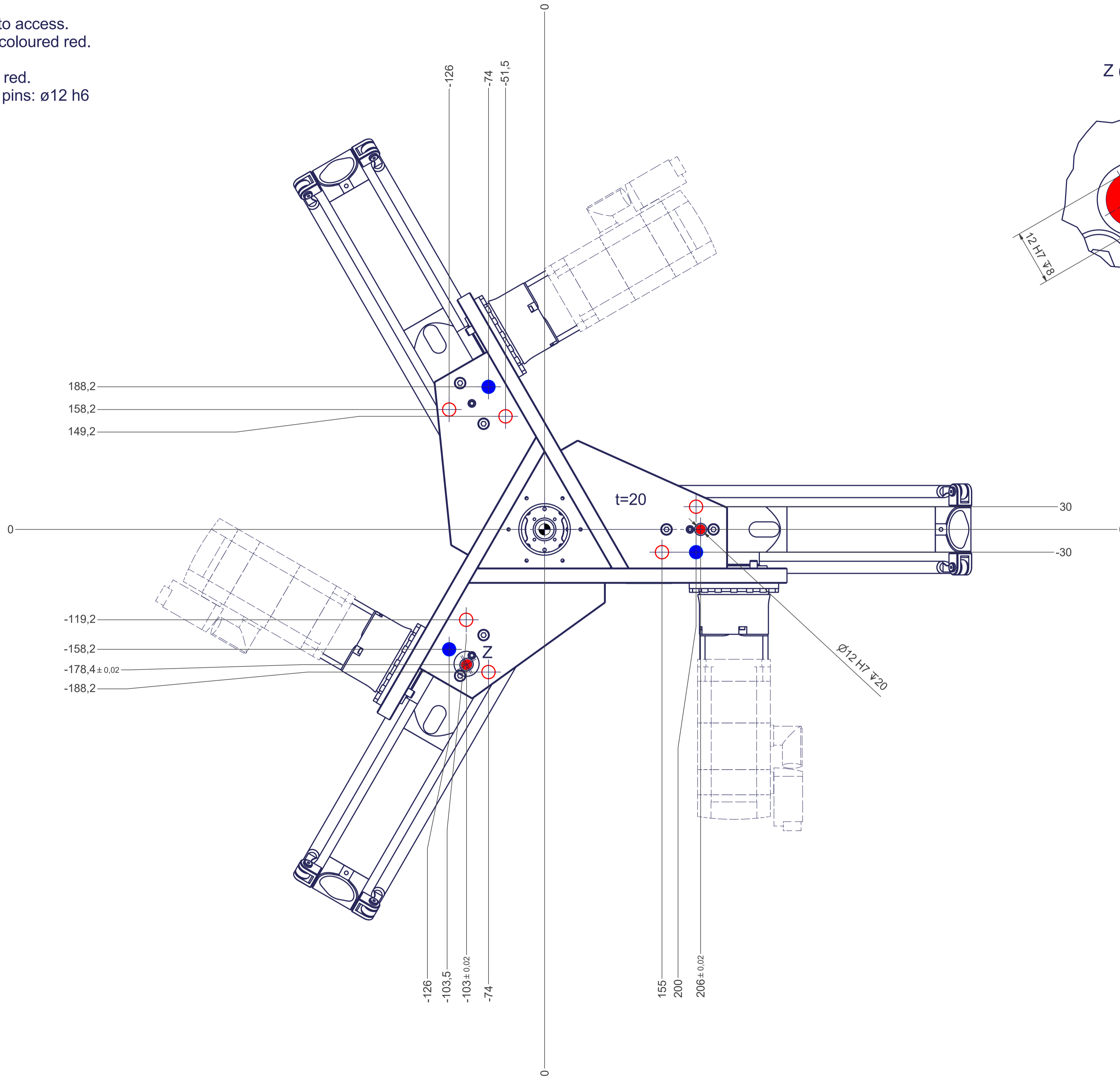
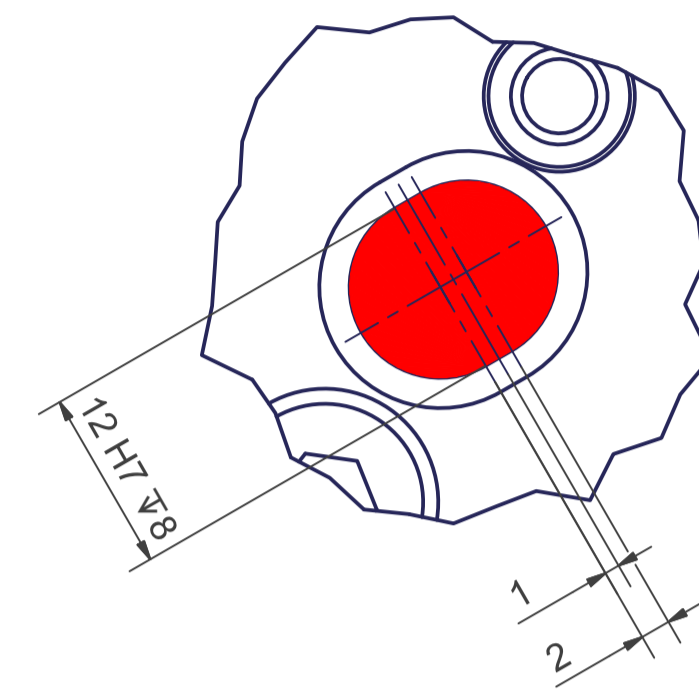
Connecting dimensions,
valid for article number A_00033-01

m= kg	A	p= bar
proj. storage surface = m²		v̇= l/min
First angle projection	P= kW	
	U= V / Hz / Ph	
	Imax= A	

12 11 10 9 8 7 6 5 4 3 2 1

-  All fastening holes $\varnothing 17,5\text{mm}$ for screws M16 (DIN ISO 4014/4017 -8.8) without washer. Fastening holes are coloured red.
-  Fastening holes filled blue are difficult to access. We recommend using fastening holes coloured red.
-  Drilling holes for locating pins are filled red. Recommended dimensions of locating pins: $\varnothing 12\text{ h6}$

Z (2:1)



12 11 10 9 8 7 6 5 4 3 2 1