

12

11

10

9

8

7

6

5

4

3

2

1

H

G

F

E

D

C

B

A

H

G

F

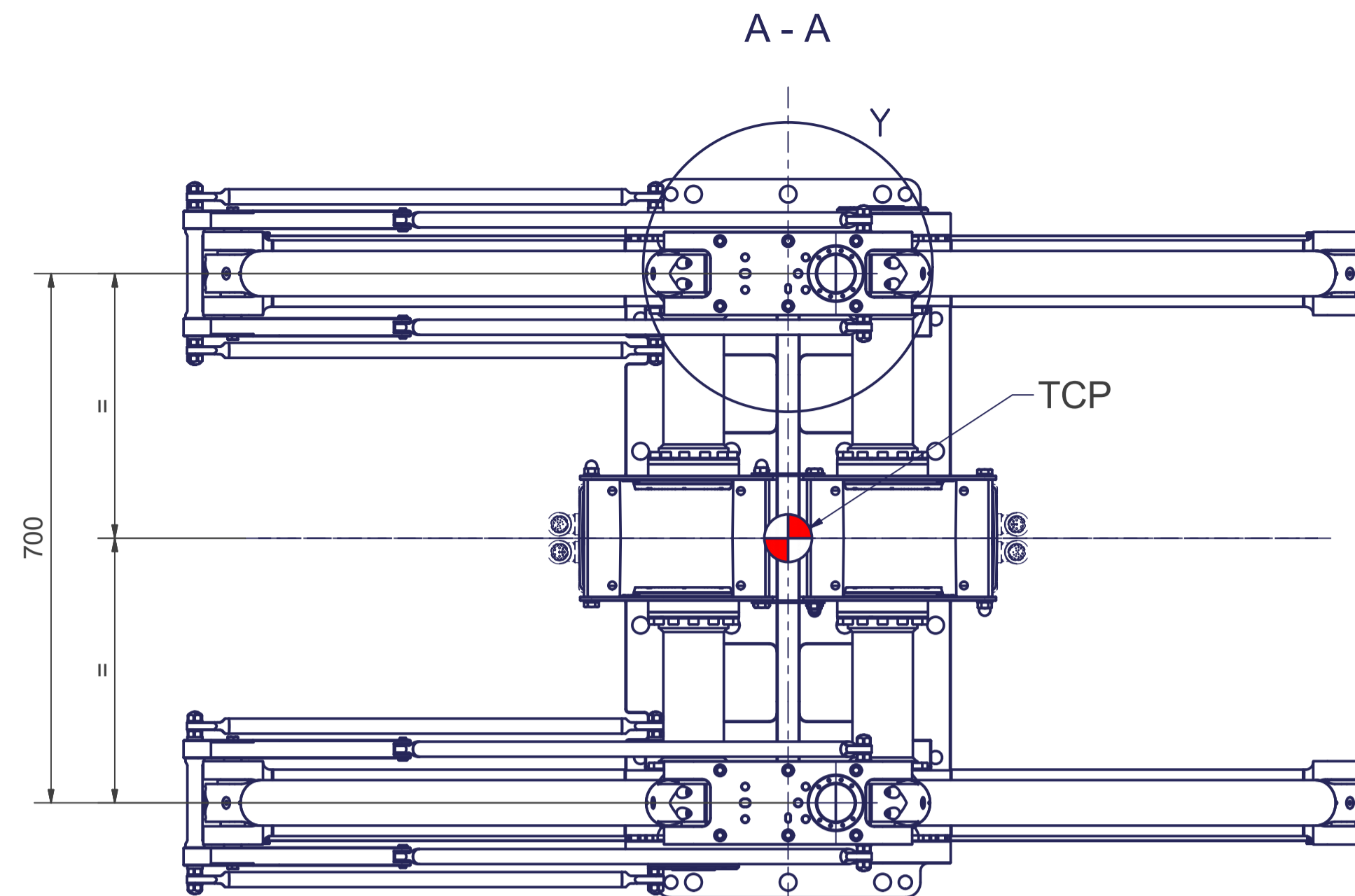
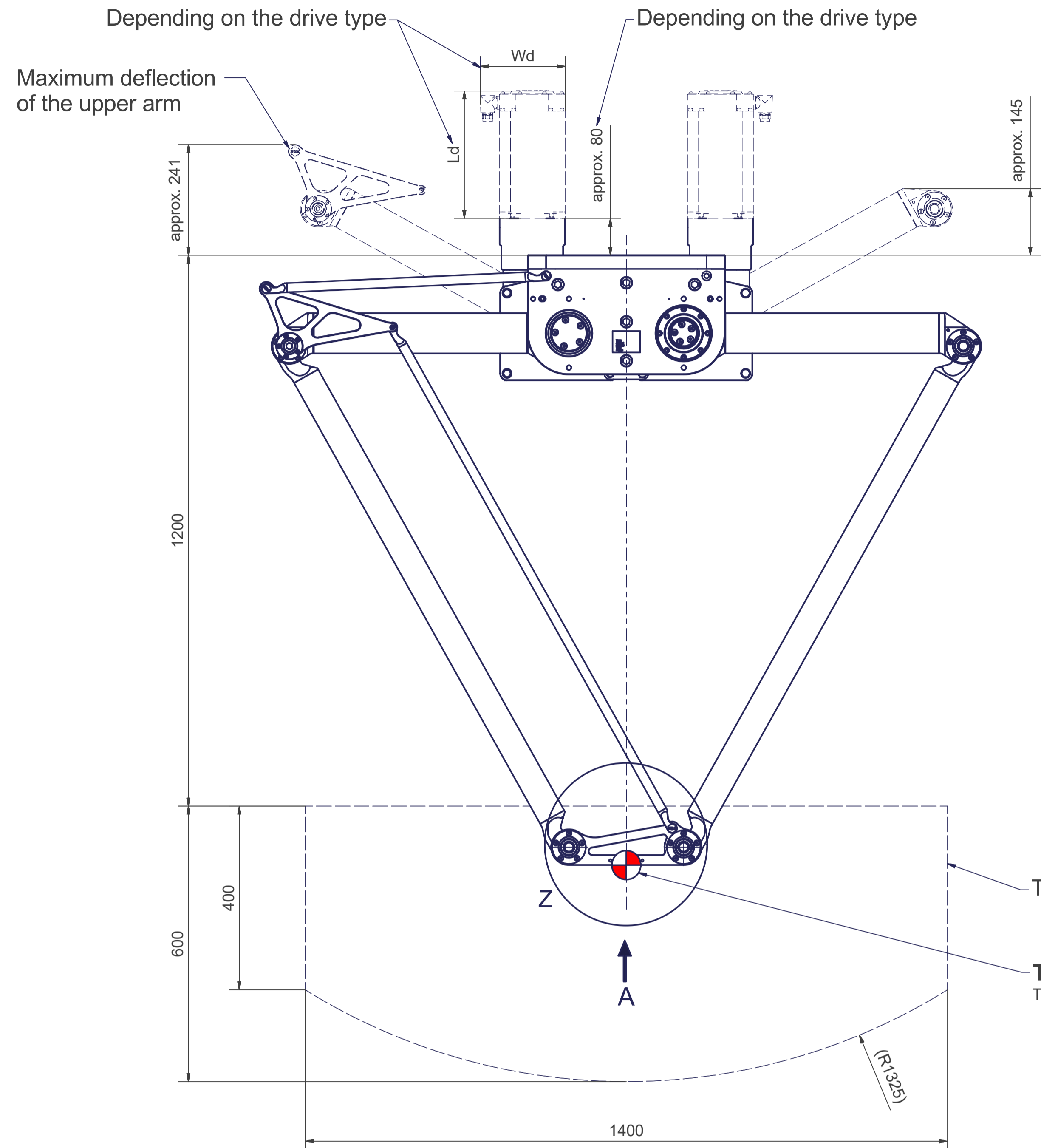
E

D

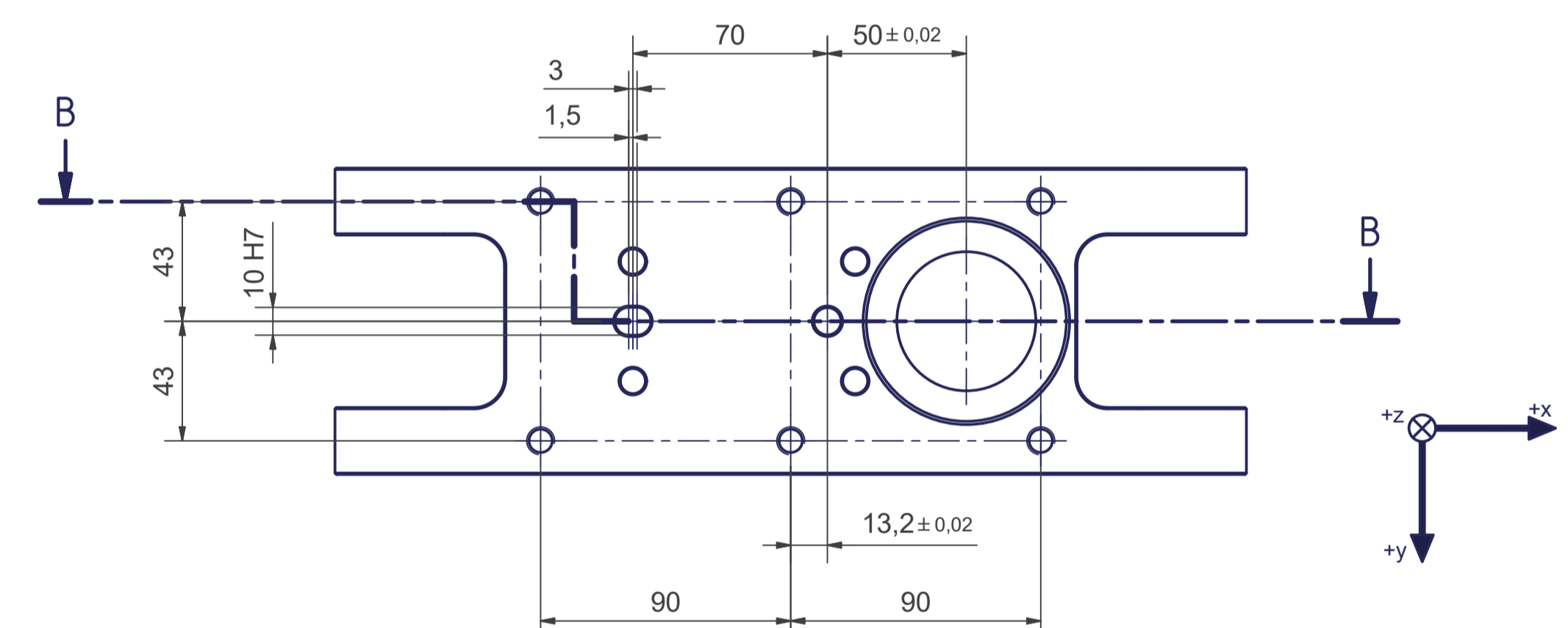
C

B

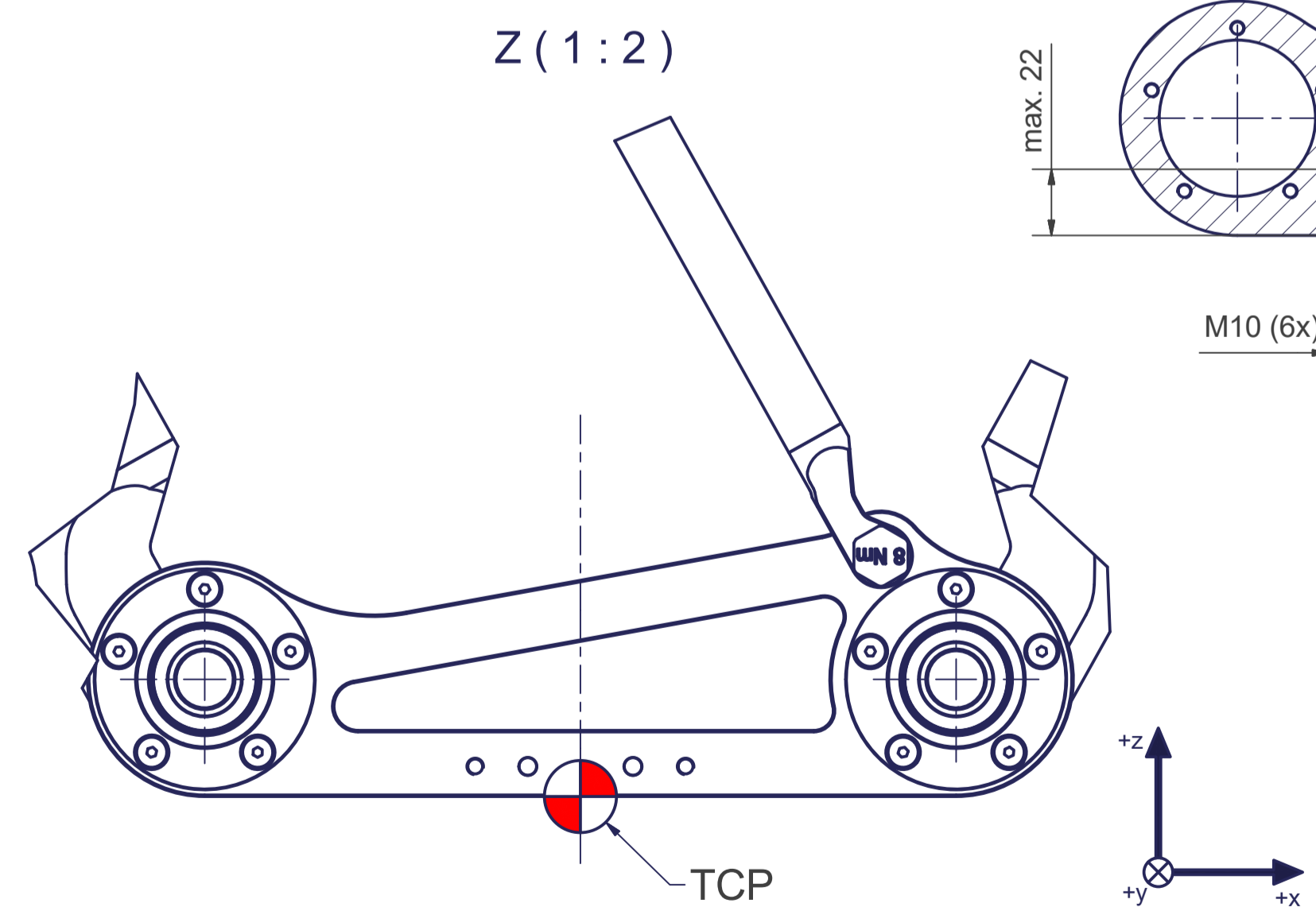
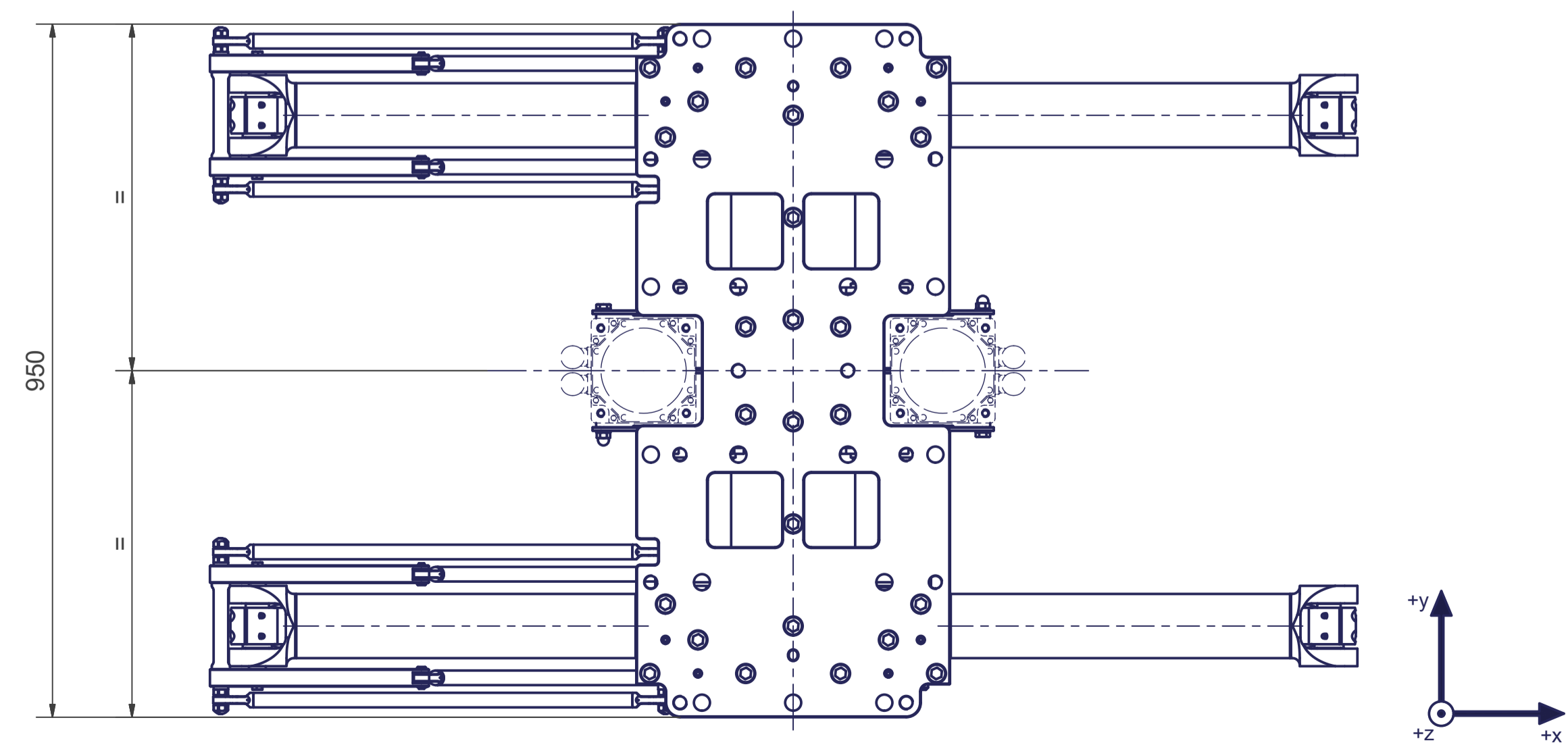
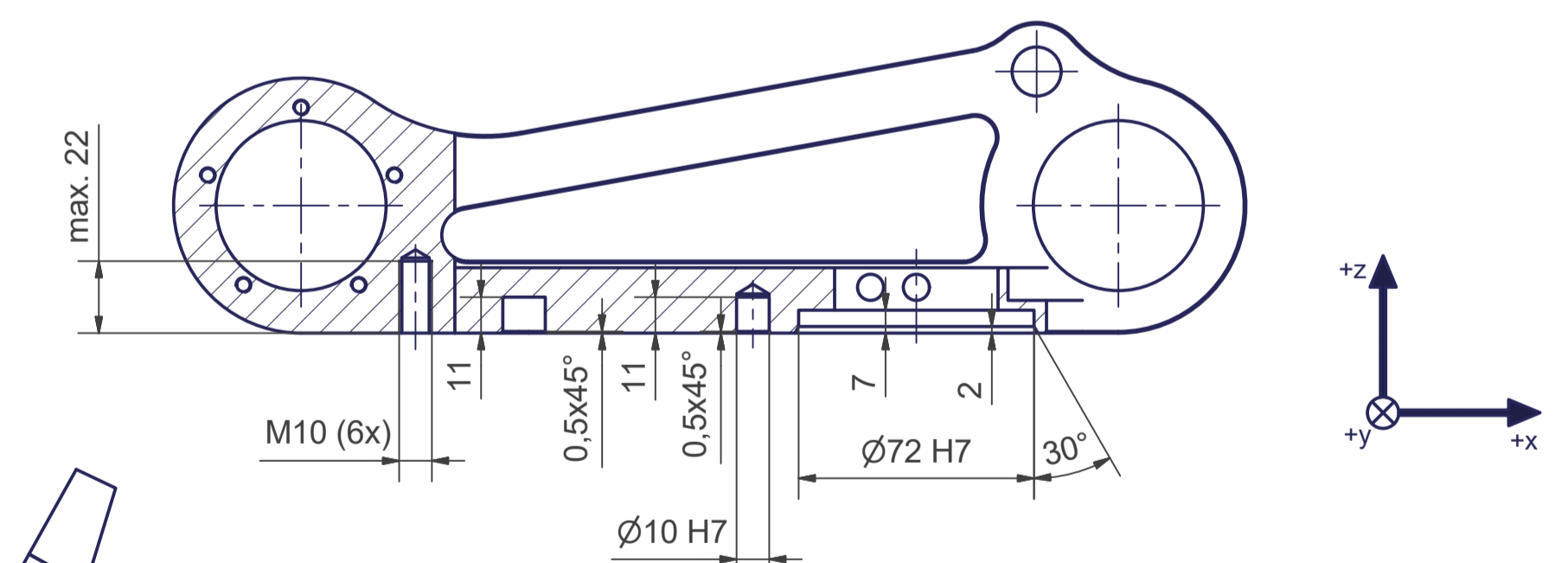
A



Y (1:2)
Both tool holders are identical



B-B



Connecting dimensions,
valid for article number A_00867

| | | |
|----------------------------|----------------|-----------|
| | | |
| m= kg | A | p= bar |
| proj. storage surface = m² | | v̇= l/min |
| First angle projection | P= kW | |
| | U= V / Hz / Ph | |
| | Imax= A | |



A_00867

12 11 10 9 8 7 6 5 4 3 2 1

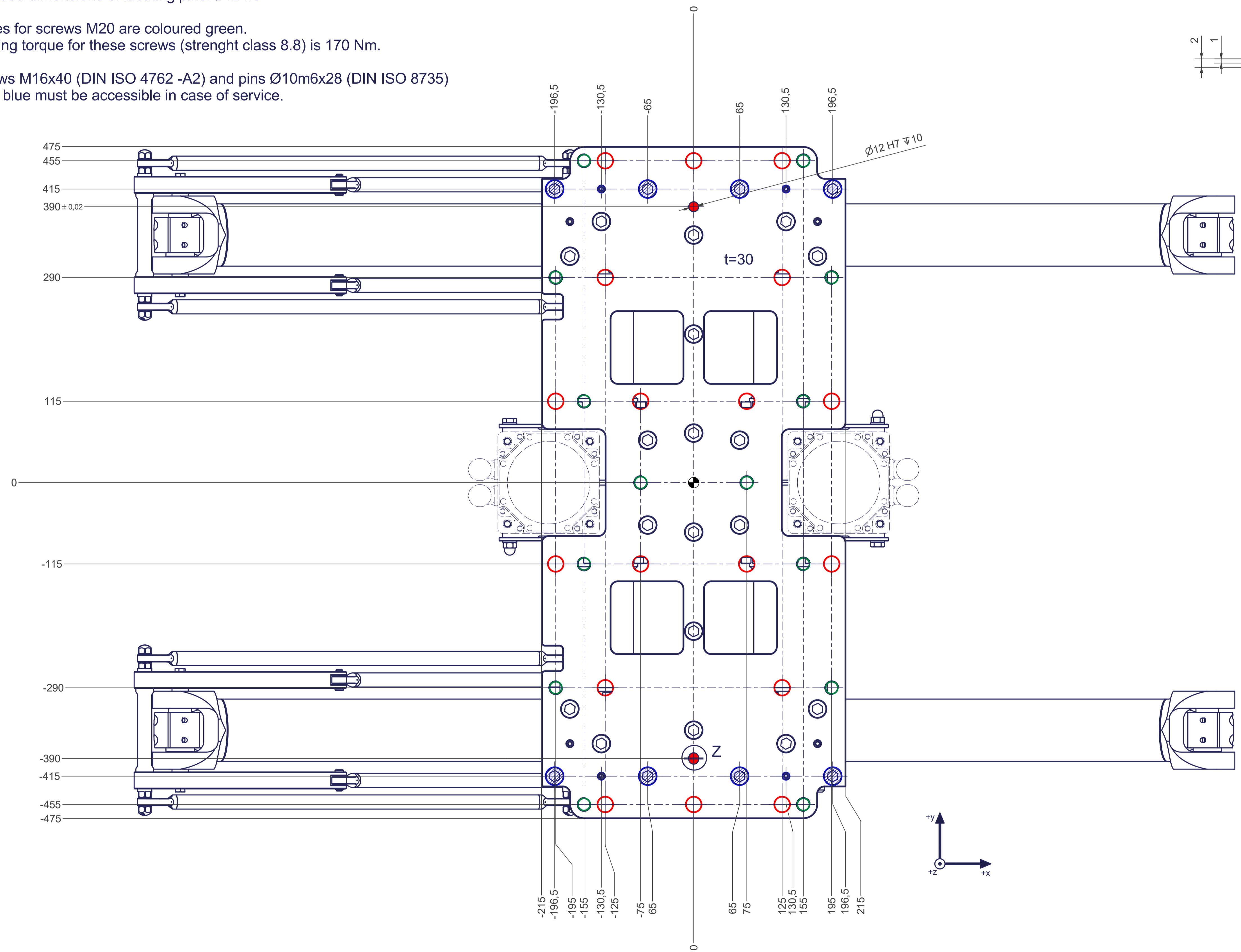
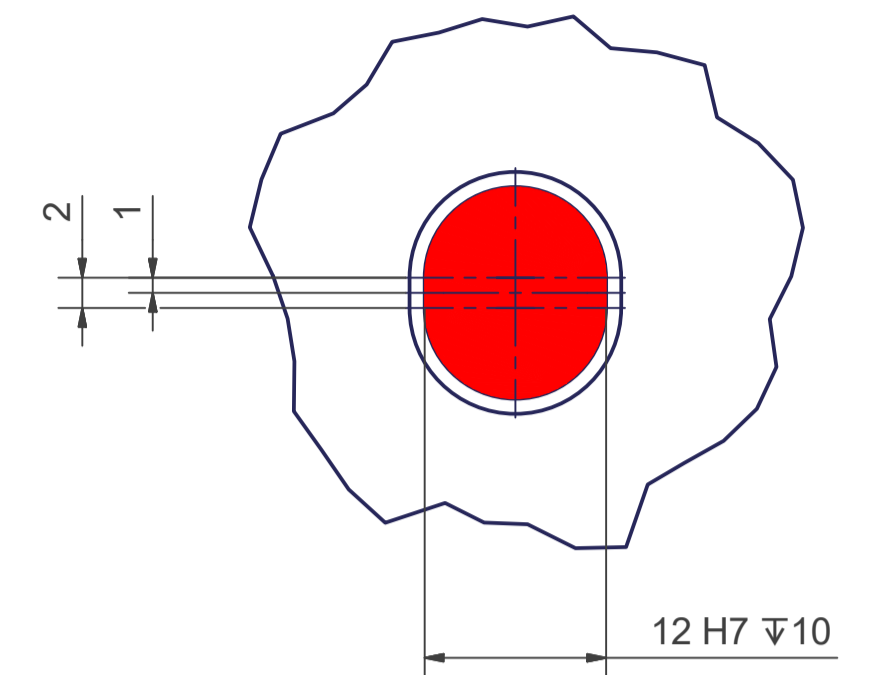
○ All fastening holes $\varnothing 22$ for screws M20 (DIN ISO 4014/4017 -8.8) without washer. Fastening holes are coloured red.

● Drilling holes for locating pins are filled red. Recommended dimensions of locating pins: $\varnothing 12$ h6

○ Thread holes for screws M20 are coloured green. The tightening torque for these screws (strength class 8.8) is 170 Nm.

○ All the screws M16x40 (DIN ISO 4762 -A2) and pins $\varnothing 10$ m6x28 (DIN ISO 8735) are marked blue must be accessible in case of service.

Z (2:1)



12 11 10 9 8 7 6 5 4 3 2 1