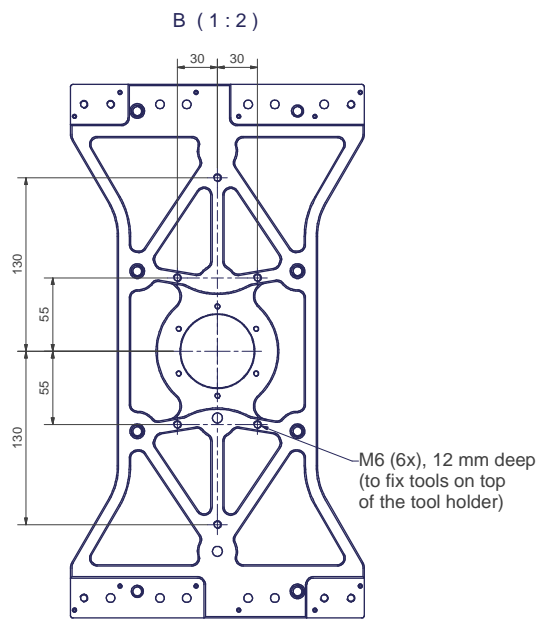
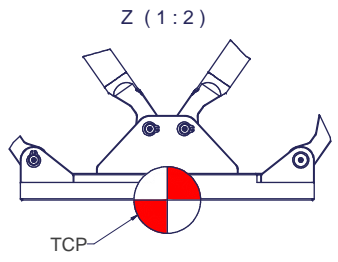




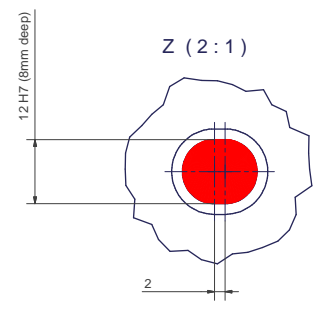
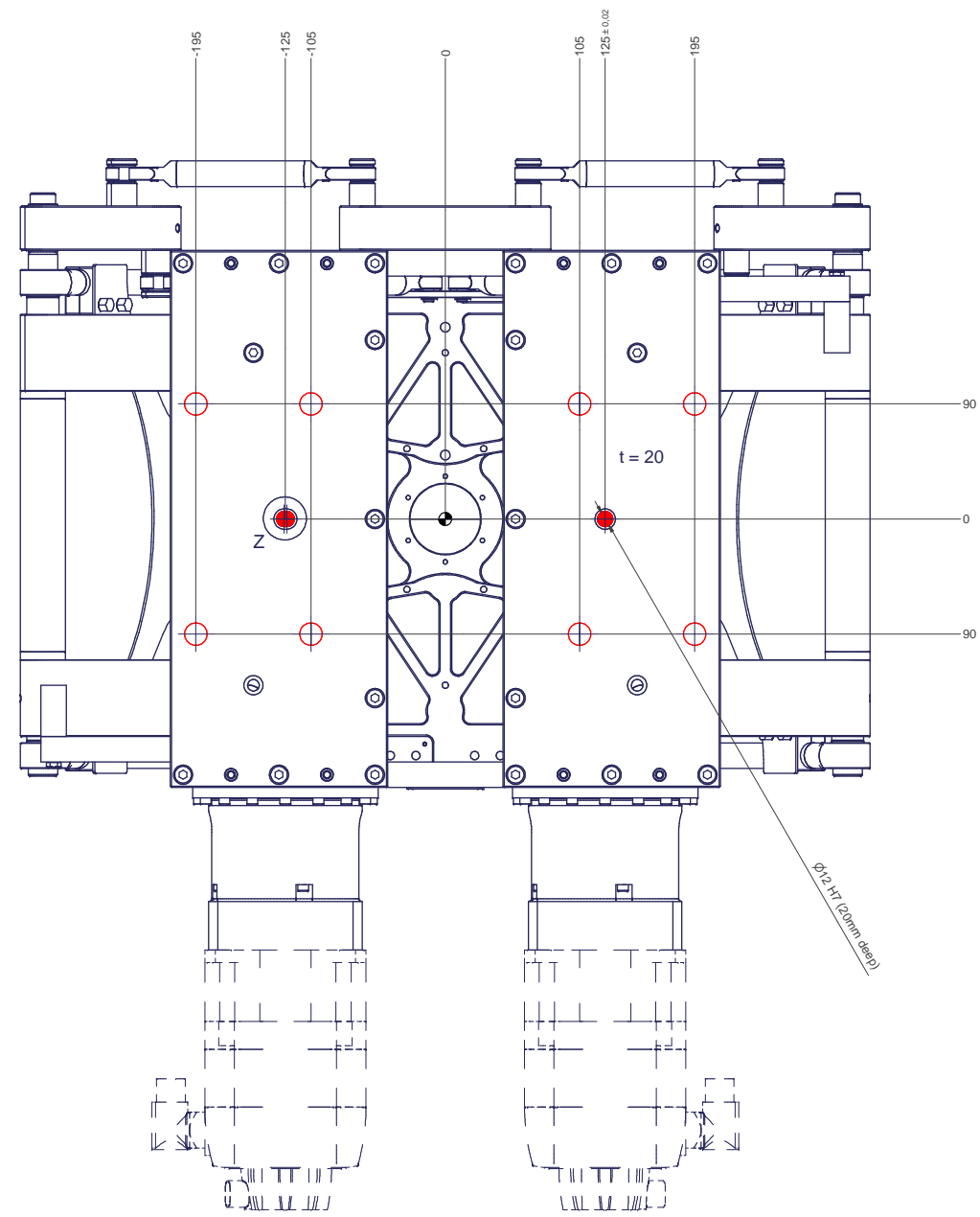
Depending on the drive type



m= kg	A	p= bar
projected storage surface = m ²	P= kW	v= l/min
U= V / Hz / Ph	I _{max} A	

12 11 10 9 8 7 6 5 4 3 2 1

-  All fastening holes $\varnothing 17,5$ mm for screws M16 (DIN ISO 4014/4017 -8.8) without washers. Fastening holes are coloured red
-  Drilling holes for locating pins are filled red.



$\varnothing 12$ H7 (20mm deep)

12 11 10 9 8 7 6 5 4 3 2 1