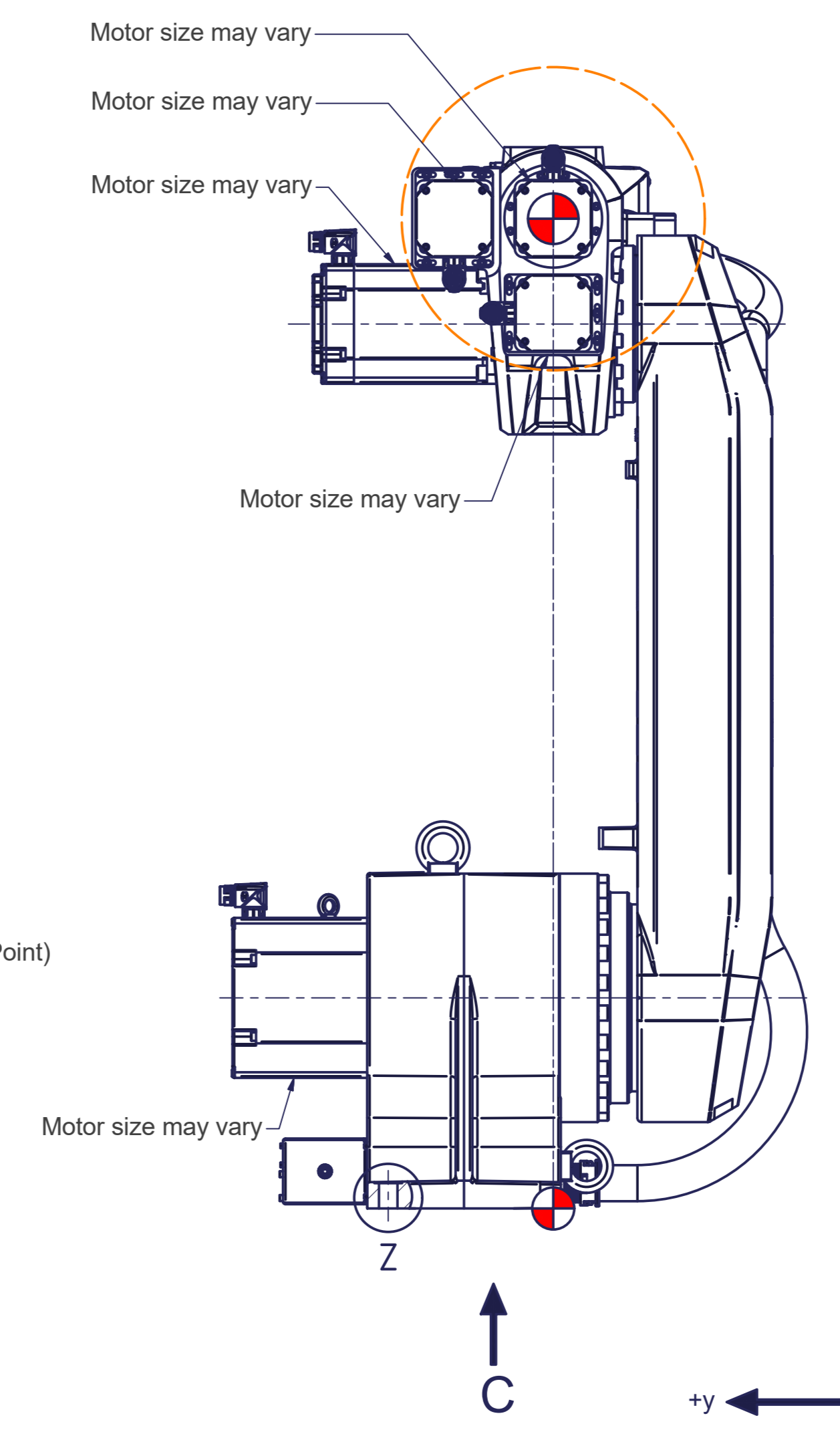
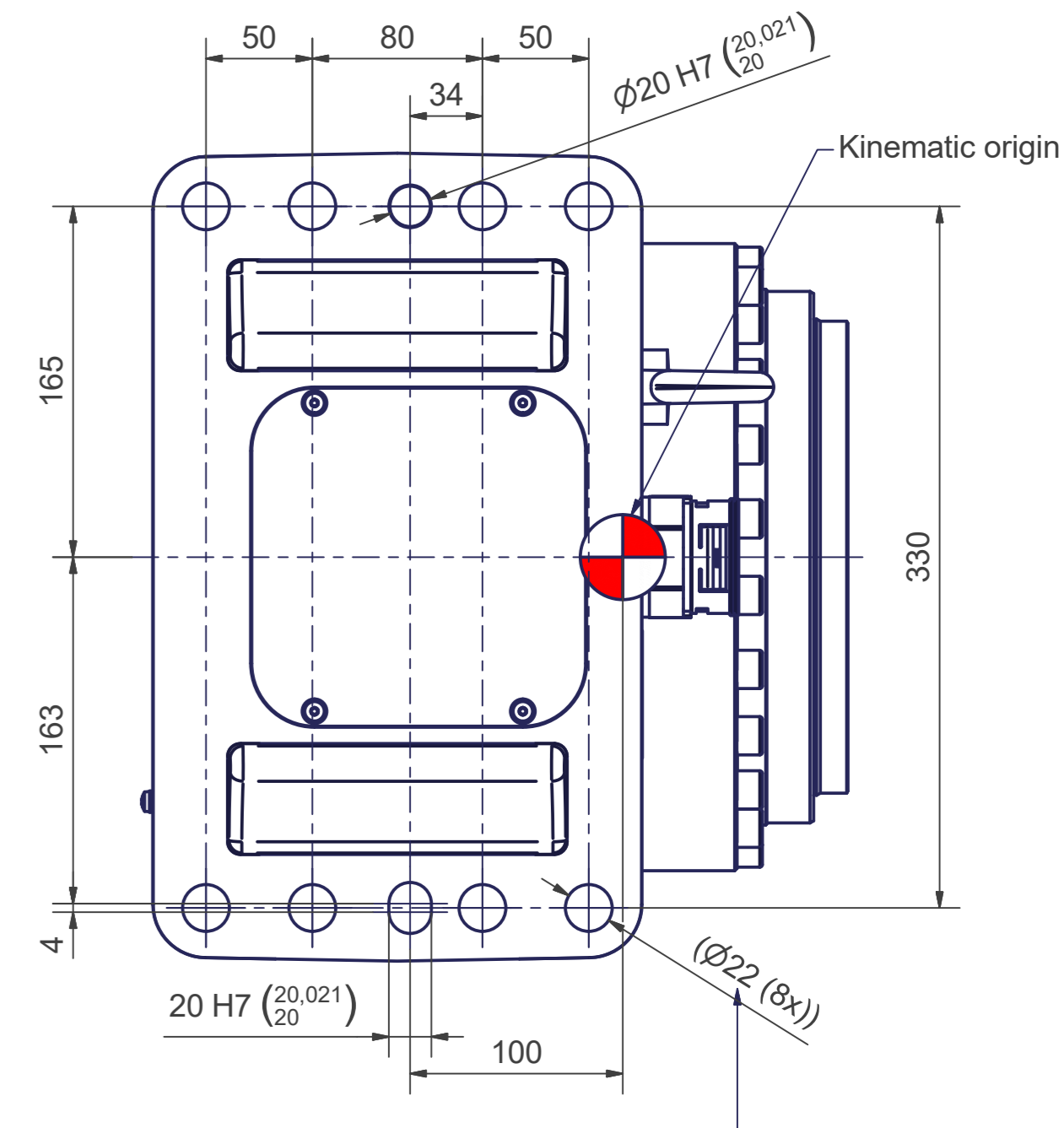
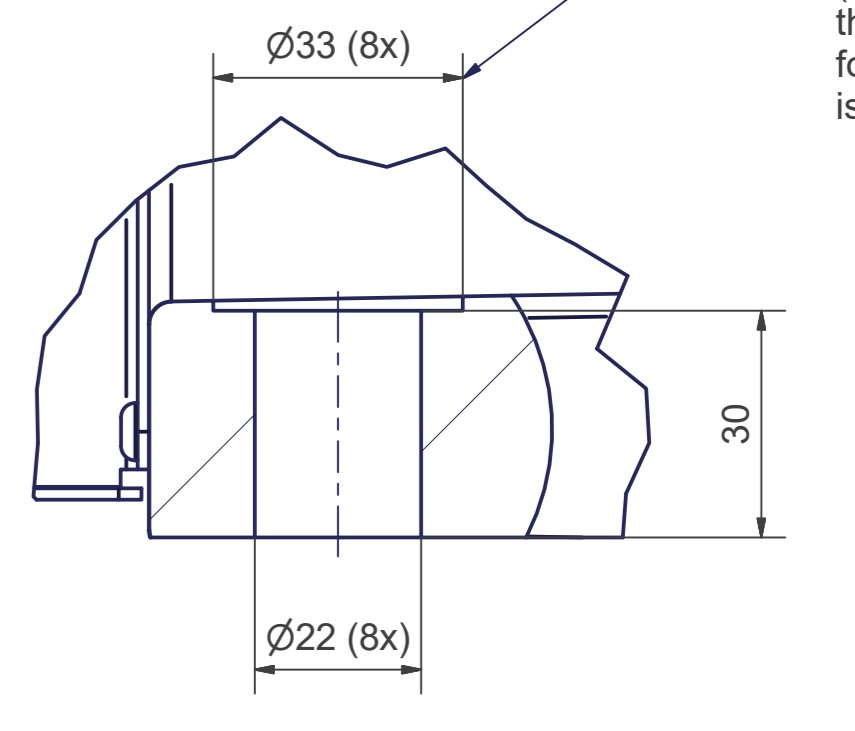


C (1:3)
Base frame



Z (1:1)



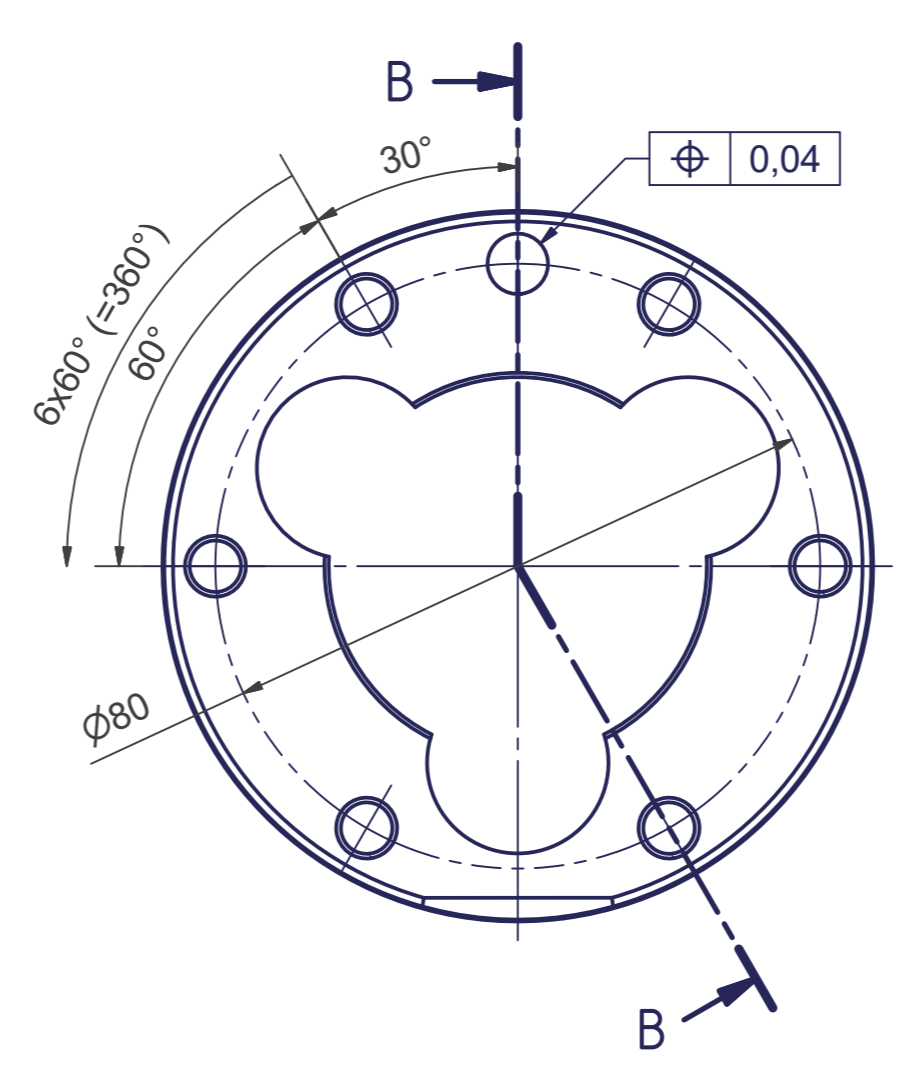
| artic5-2057-30kg | |
|---------------------------|-----------------------------|
| Axes | 5 |
| Payload (on TCP) | 30 kg |
| Supplementary load on arm | 40 kg |
| Reach | 2057 mm |
| Mounting position | Angle, Ceiling, Floor, Wall |

| Motion | |
|--------|--------------------|
| Axes | Range fully usable |
| A1 | ± 120° |
| A2 | - 184° / + 67° |
| A3 | ± 360° |
| A4 | ± 120° |
| A5 | ± 360° |

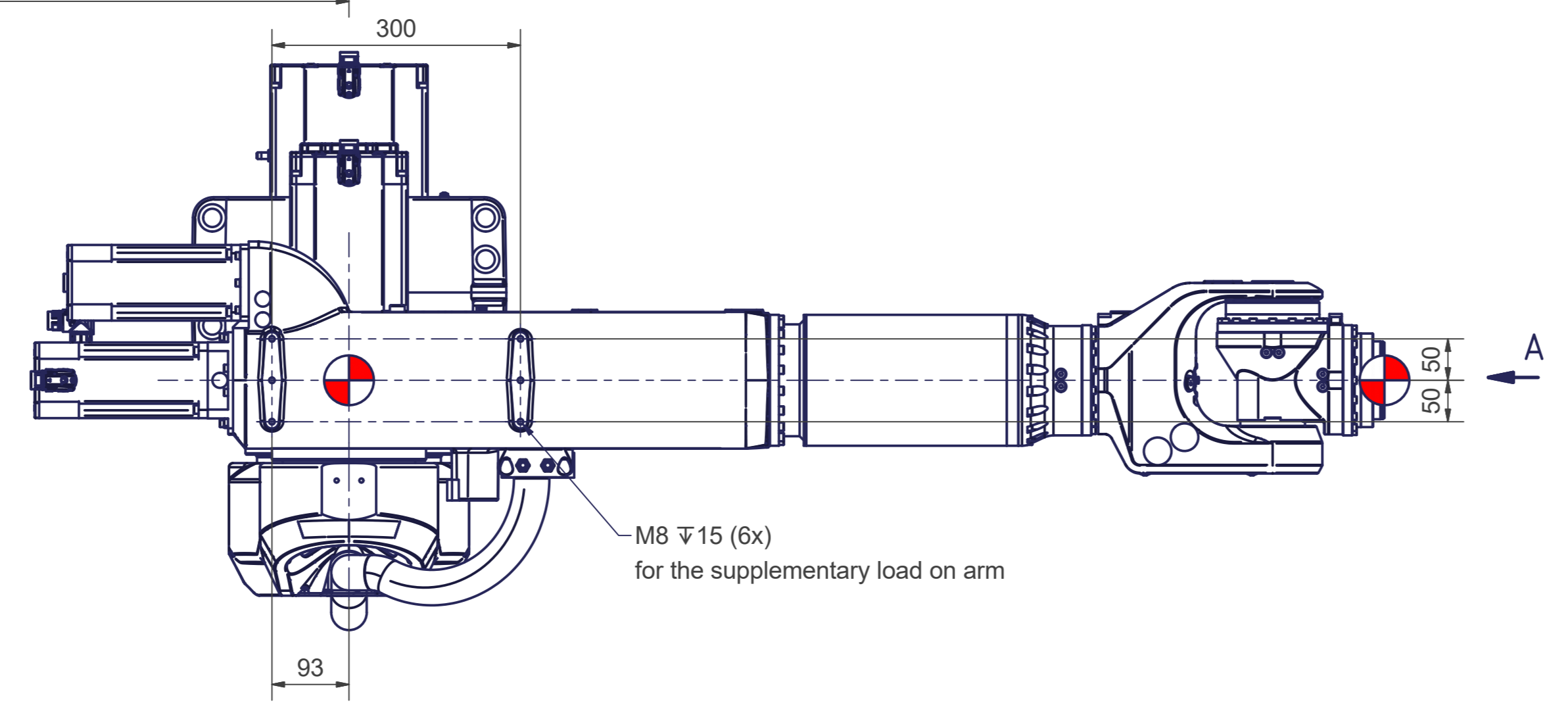
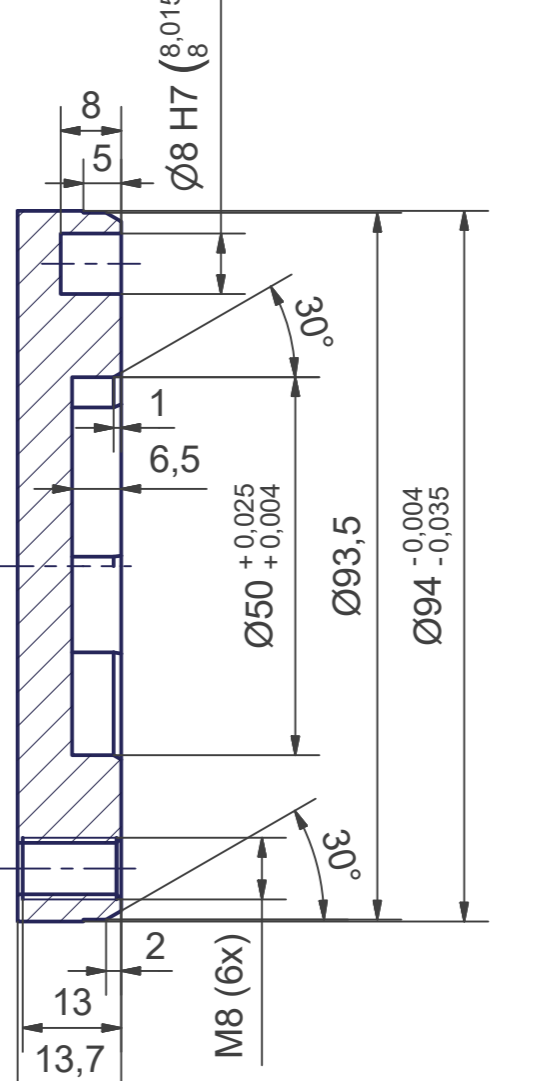
More information can be found in the document "calibration dimensions"

Rev_02

A (1:1)
Tool mounting flange A5



B-B



Connecting dimensions, valid for article number: AT_10006

| | | |
|----------------------------|----------------|------------|
| kg | ⚡ | ⦿ |
| m= kg | A | ⦿ p= bar |
| proj. storage surface = m² | kw | ⦿ q= l/min |
| First angle projection | U= V / Hz / Ph | A |
| Imax= | A | |



AT_10006