

12

11

10

9

8

7

6

5

4

3

2

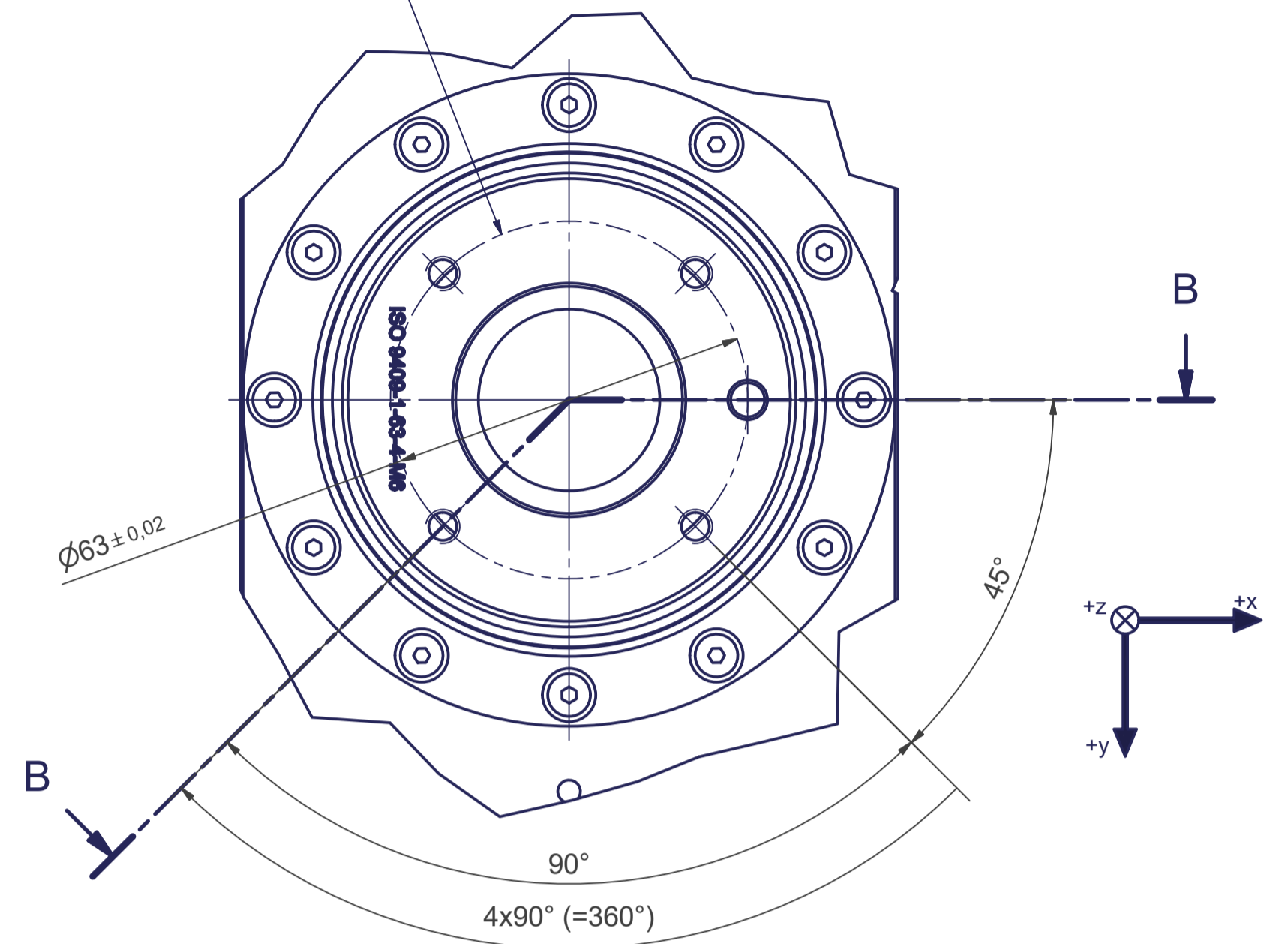
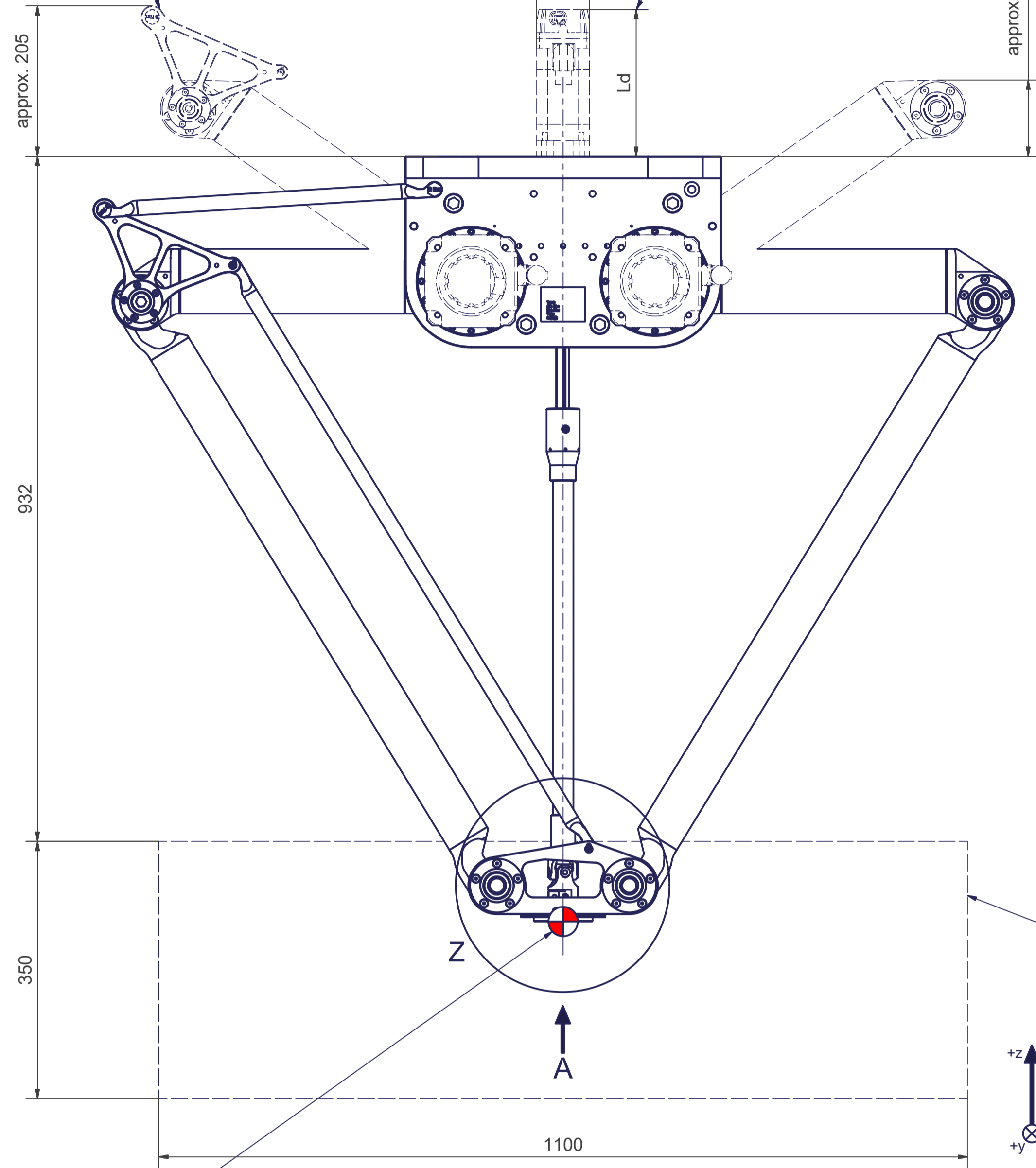
1

Maximum deflection of the upper arm

Depending on the drive type

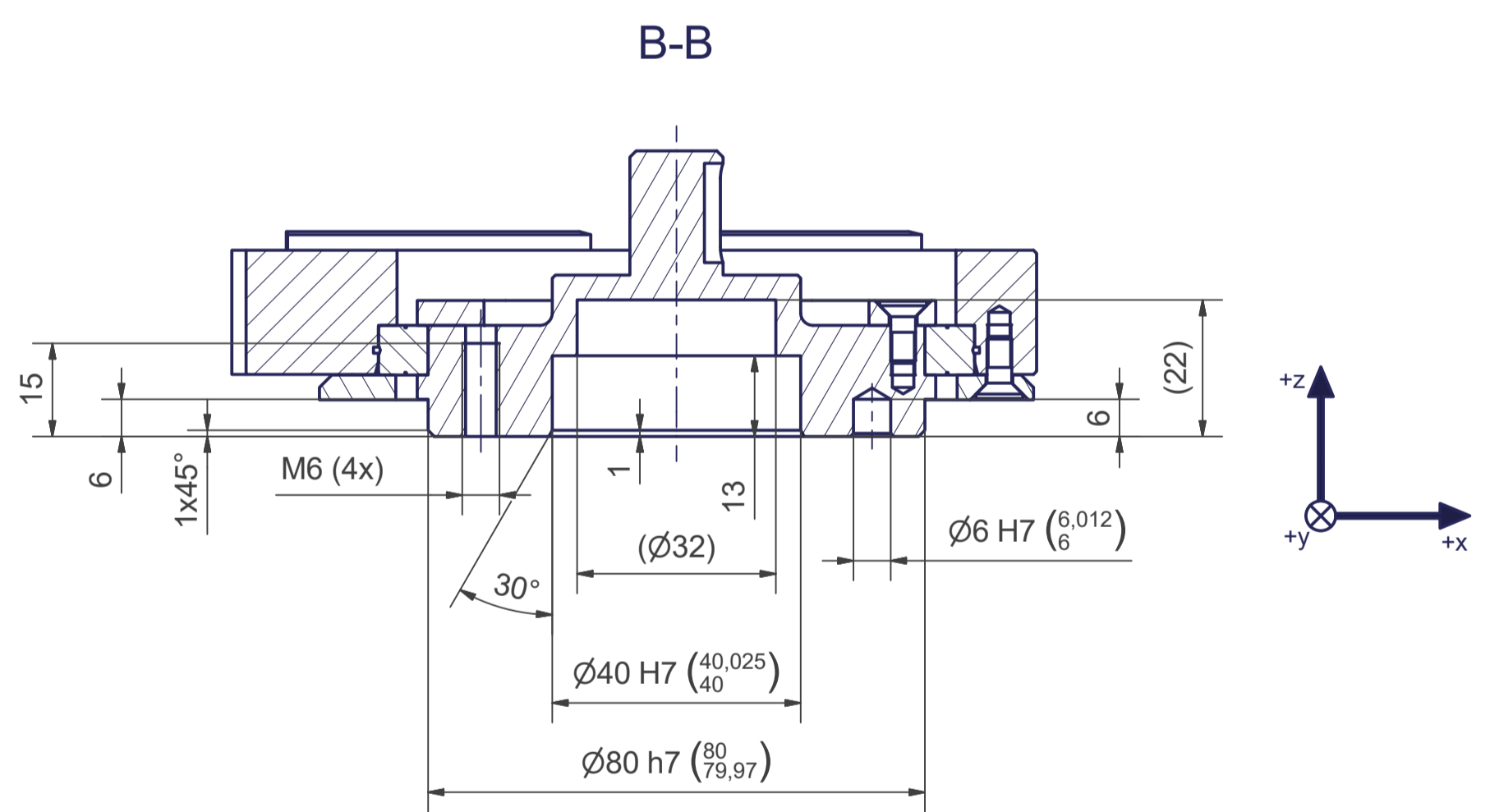
A (1:1)

Flange diagram according to ISO 9409-1-63-4-M6

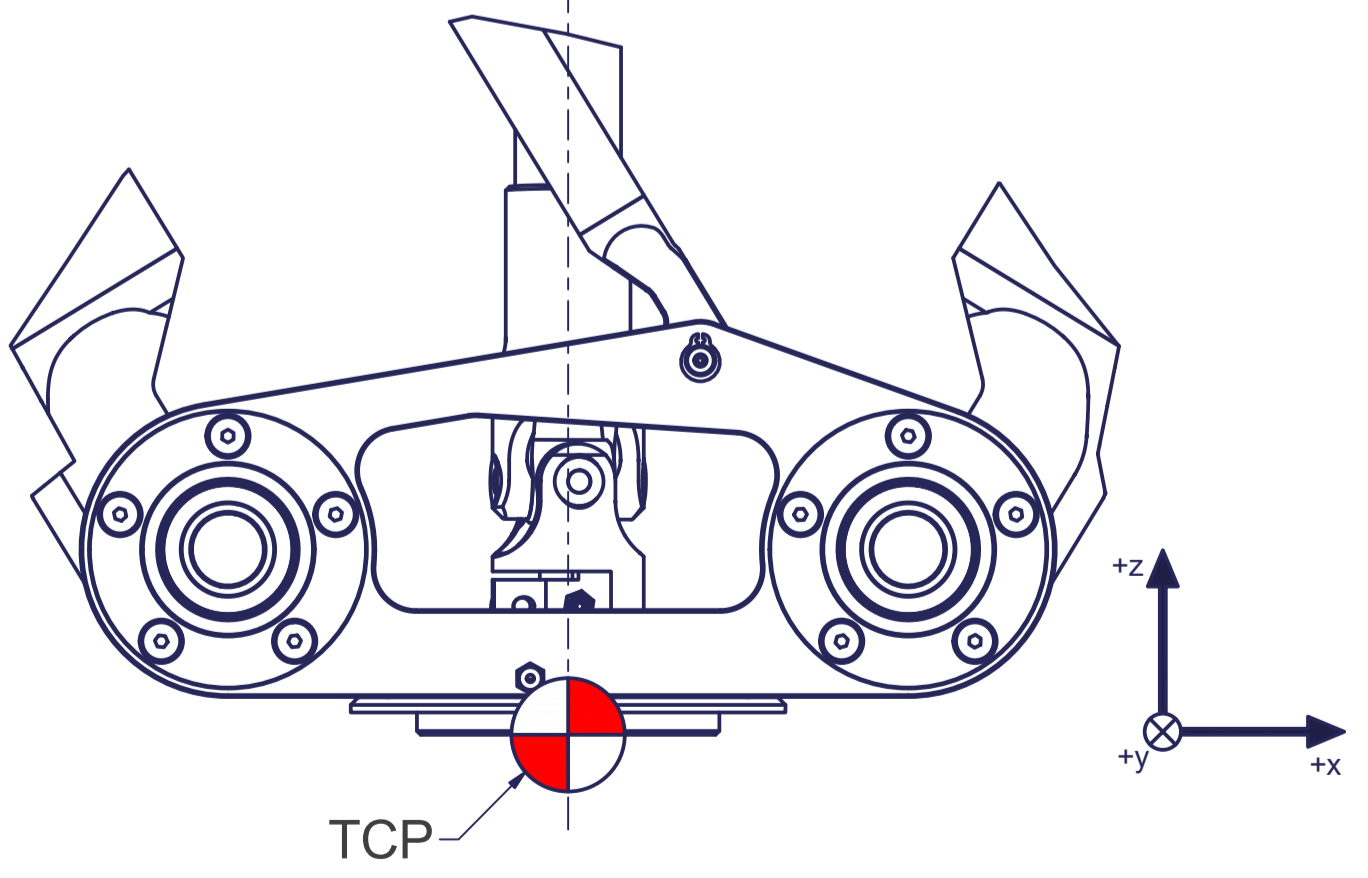
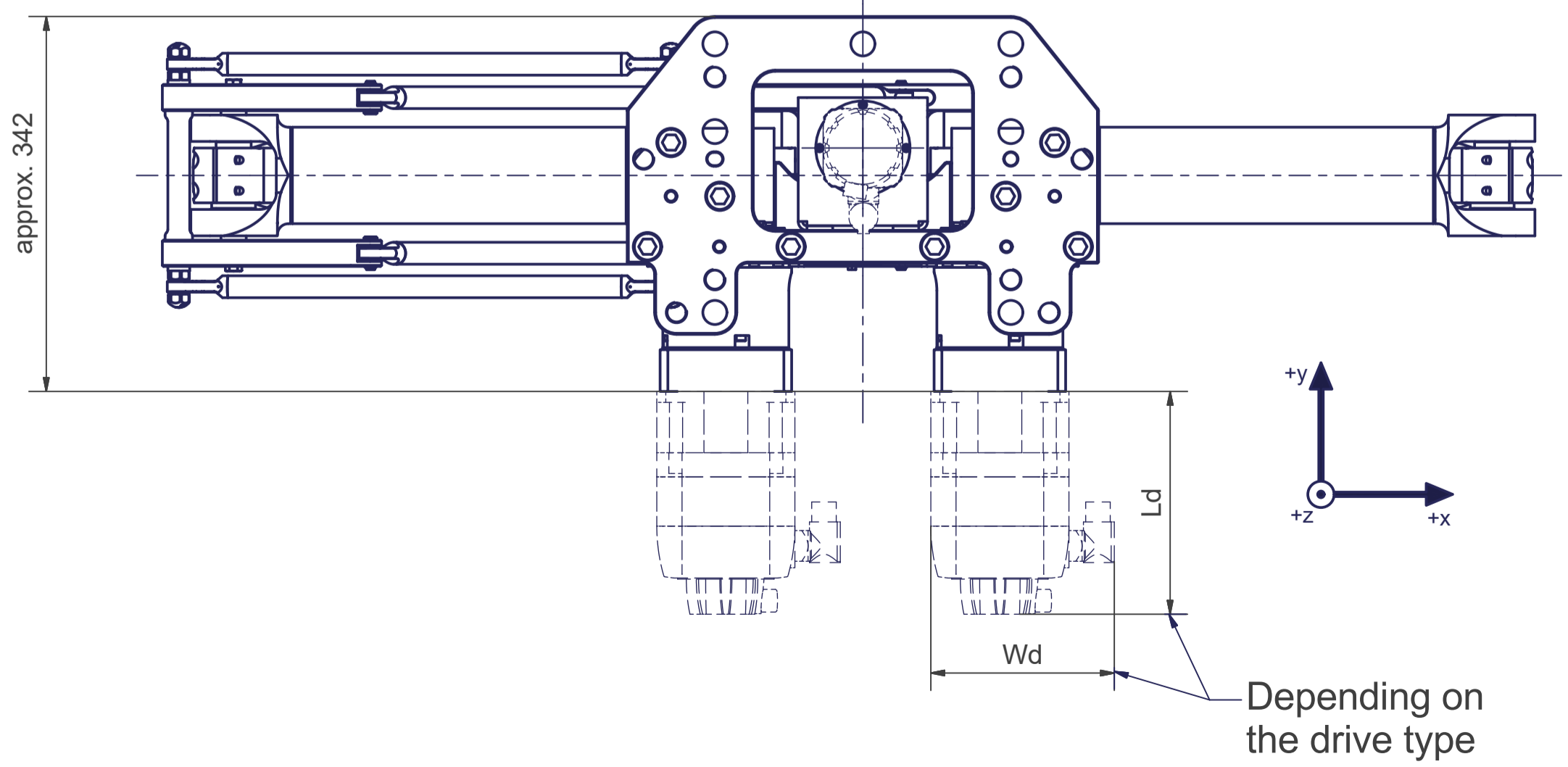


TCP - working range

Tool Center Point  
TCP (on the plane of the flange)






Z (1:2)

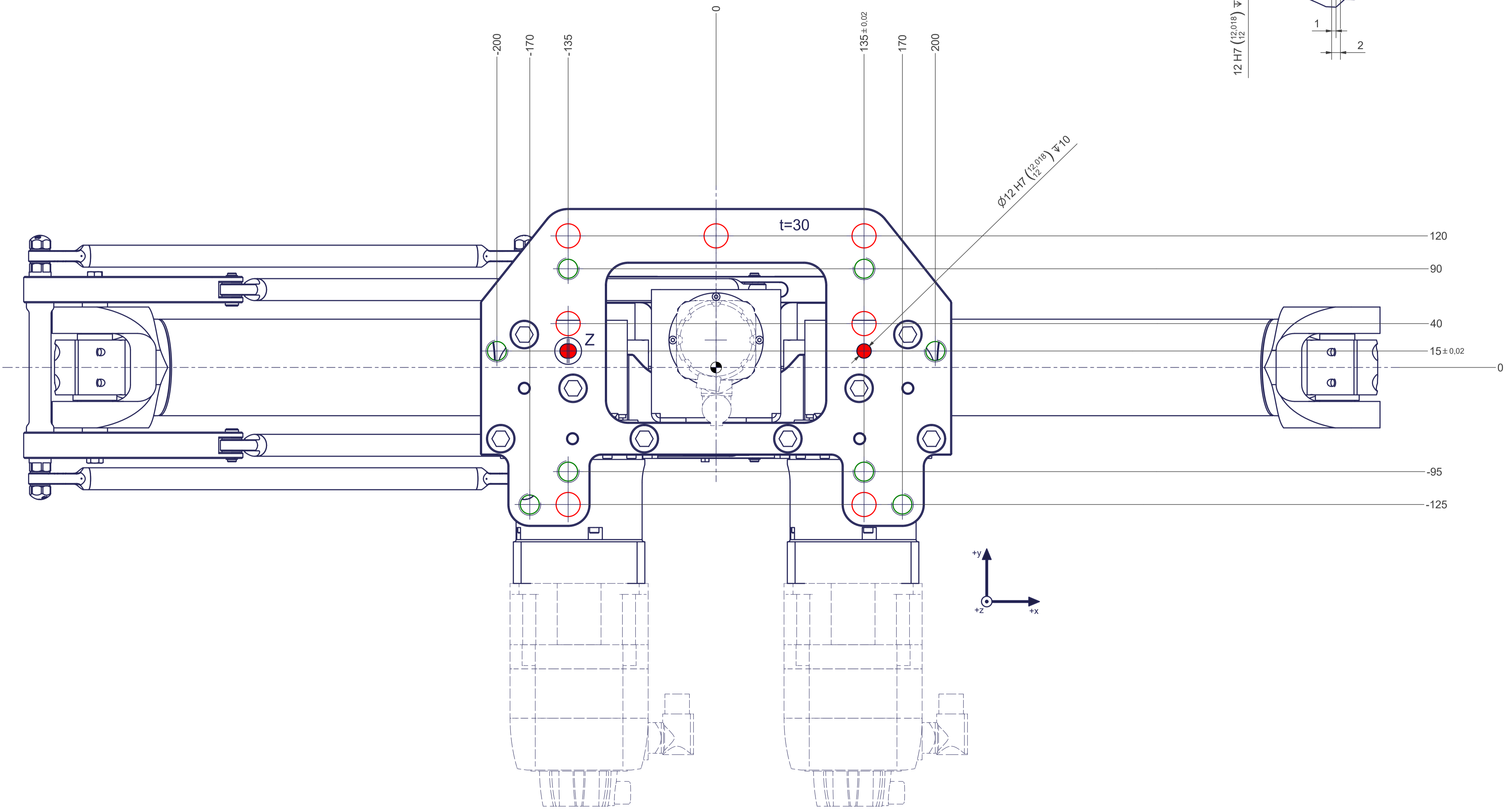
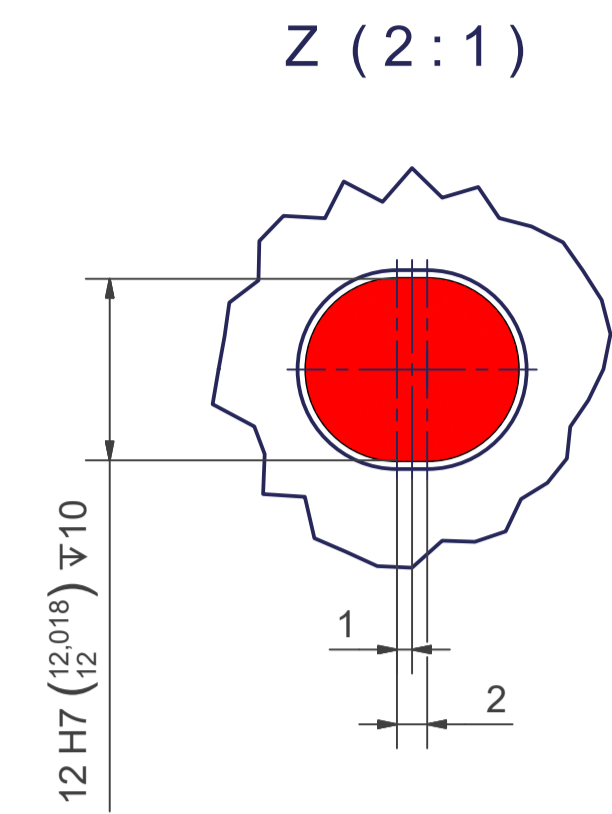


Connecting dimensions, valid for article number A\_00907 and A\_00909

m= kg	A	p= bar
proj. storage surface = m²		v̇= l/min
First angle projection	P= kW	
	U= V / Hz / Ph	
	Imax= A	

12 11 10 9 8 7 6 5 4 3 2 1

-  All fastening holes  $\text{Ø}22$  for screws M20 (DIN ISO 4014/4017 -8.8) without washer. Fastening holes are coloured red.
  -  Drilling holes for locating pins are filled red. Recommended dimensions of locating pins:  $\text{Ø}12 \text{ h}6 \left( \begin{smallmatrix} 12 \\ 11.9889 \end{smallmatrix} \right)$ .
  -  Thread holes for screws M20 are coloured green.
- The tightening torque for these screws (strength class 8.8) is 170 Nm.



12 11 10 9 8 7 6 5 4 3 2 1