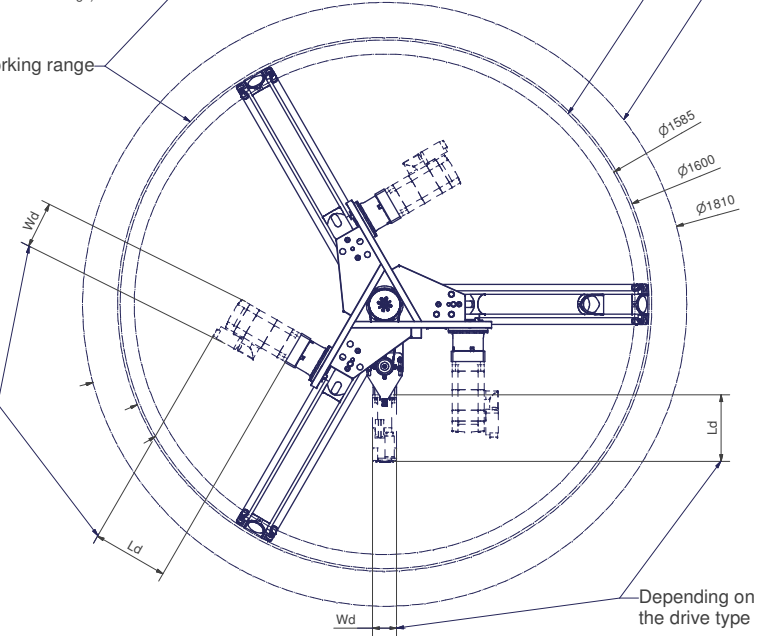


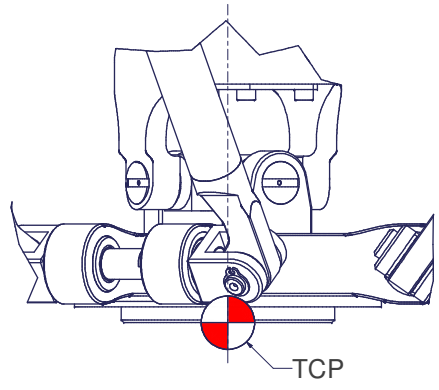
Tool Center Point
TCP (on the plane of the flange)

TCP - working range

Depending on the drive type



Z (1:1)



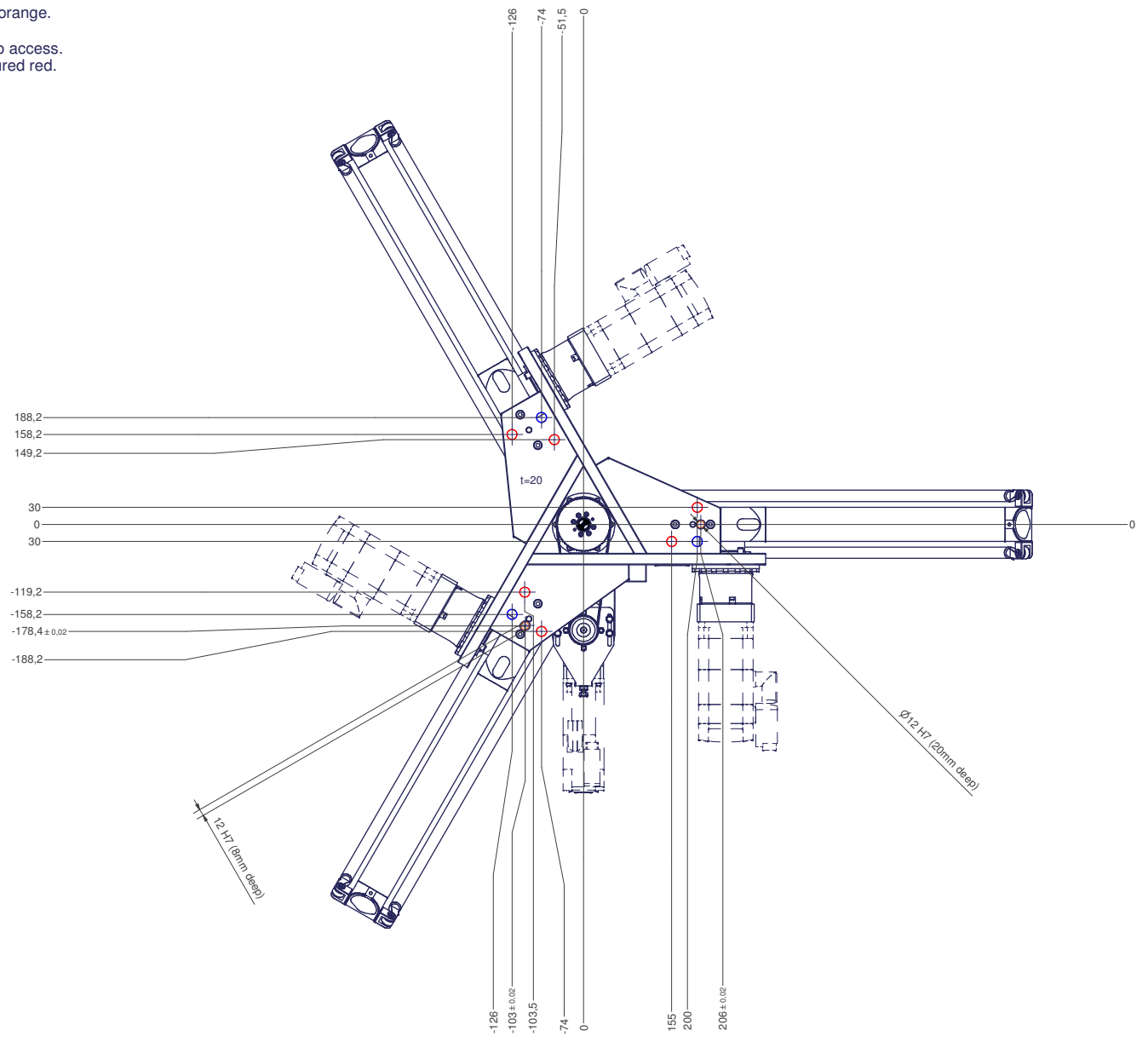
m= kg	A	p= bar
projected storage surface= m²	P= kW	v= l/min
	U= V / Hz / Ph	
	I _{max} = A	

12 11 10 9 8 7 6 5 4 3 2 1

All fastening holes $\varnothing 17,5\text{mm}$ for screws M16 (DIN ISO 4014/4017 -8.8) without washer. Fastening holes are coloured red.

Drilling holes for locating pins are coloured orange.

Fastening holes coloured blue are difficult to access. We recommend using fastening holes coloured red.



12 11 10 9 8 7 6 5 4 3 2 1