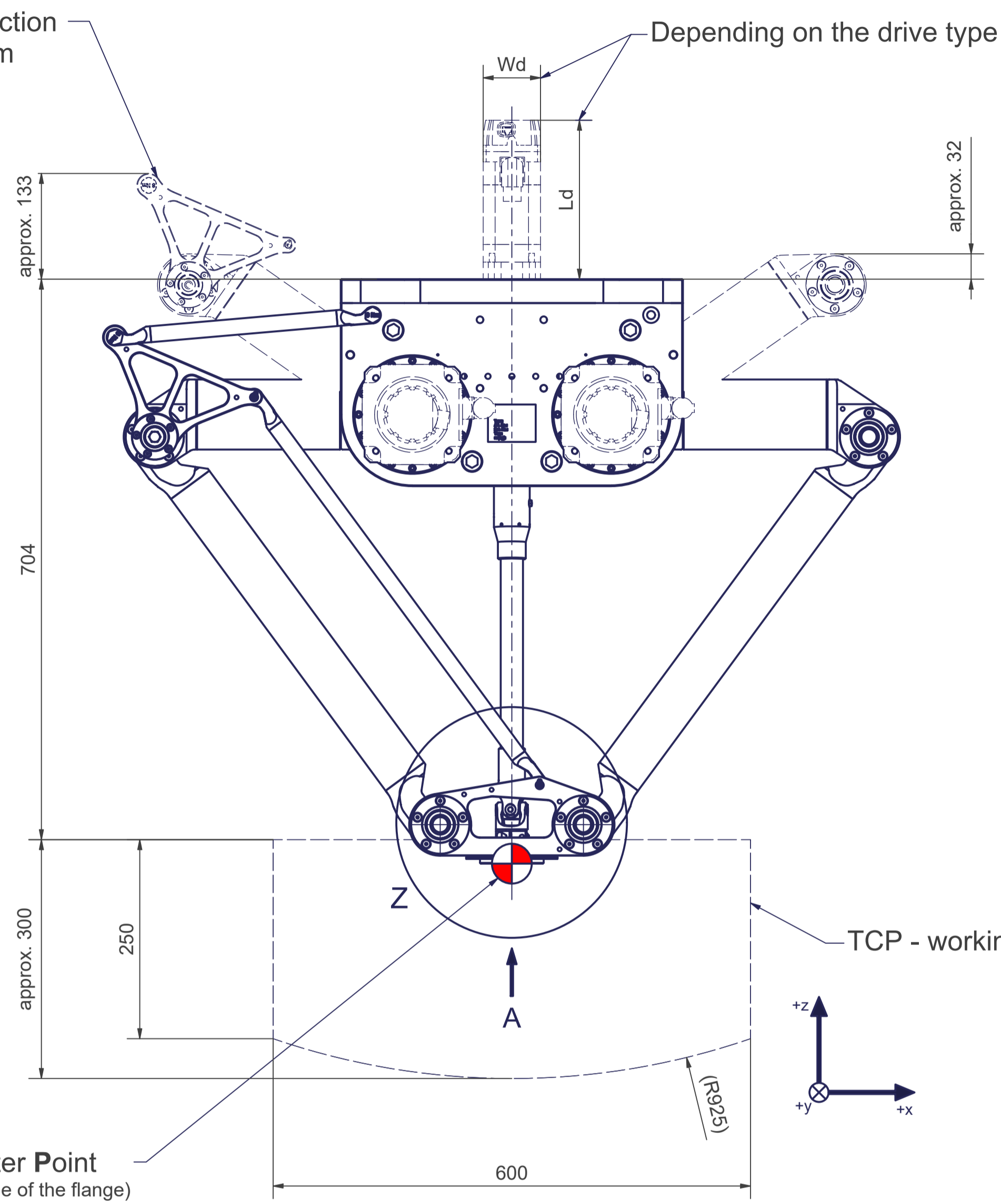
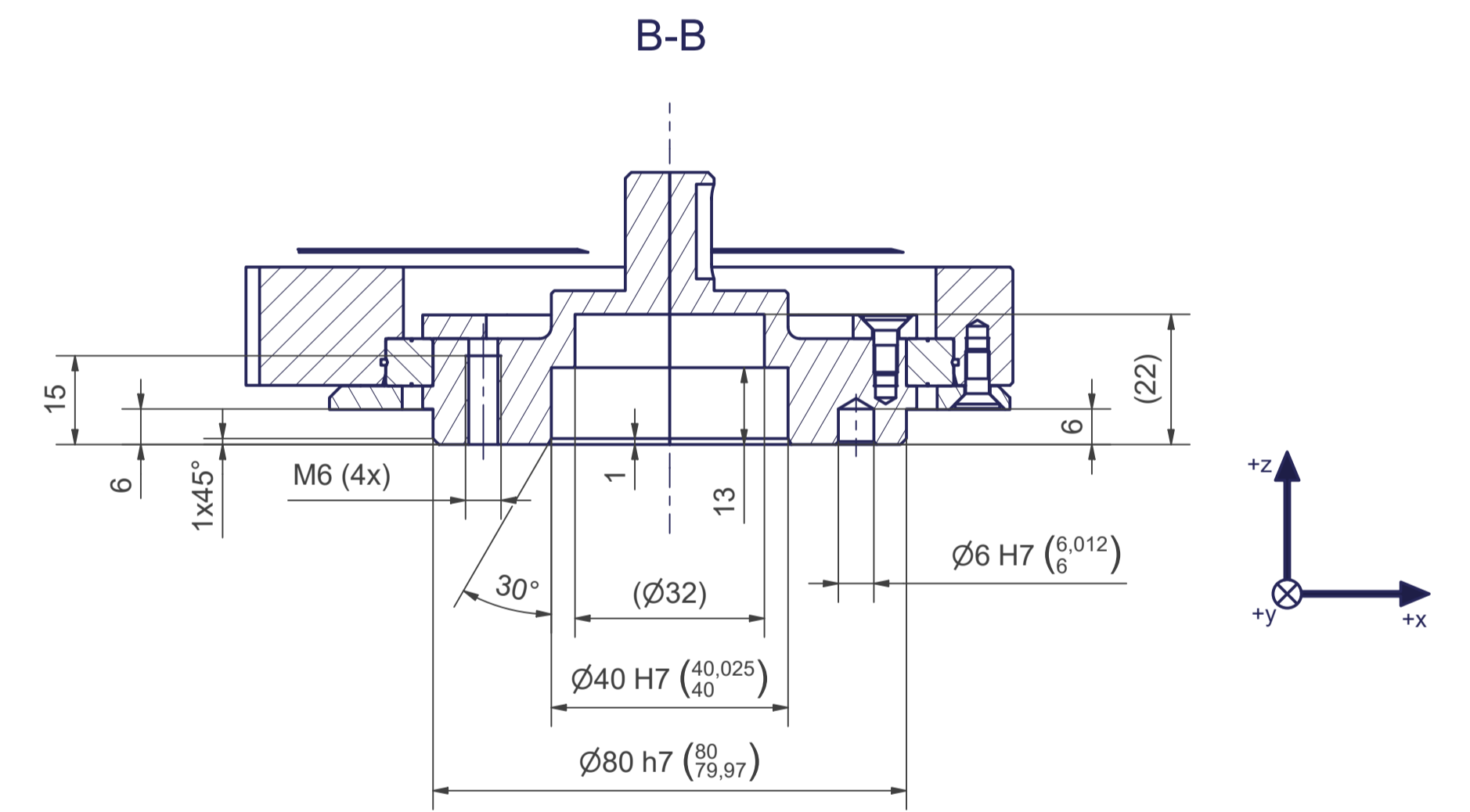
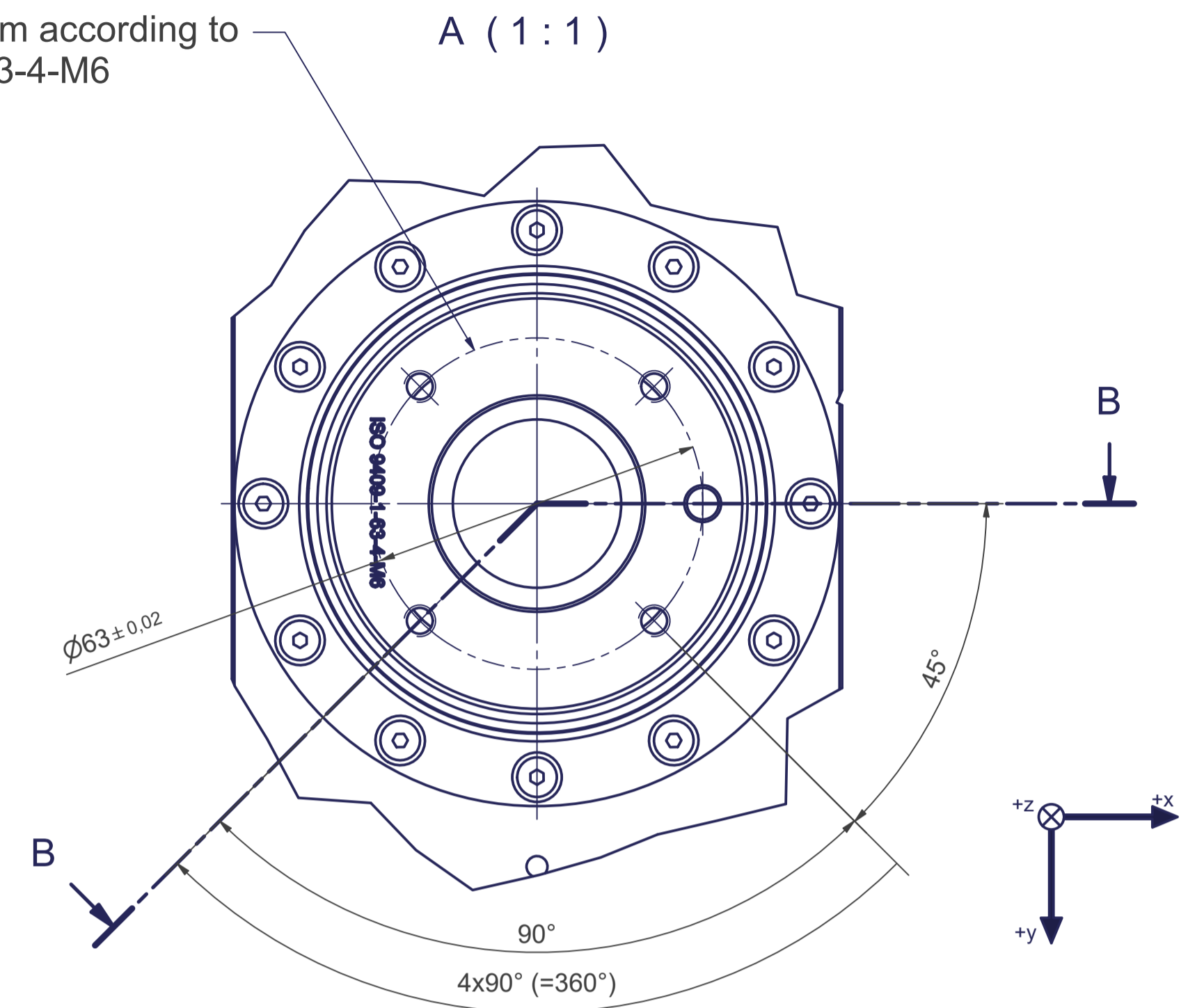


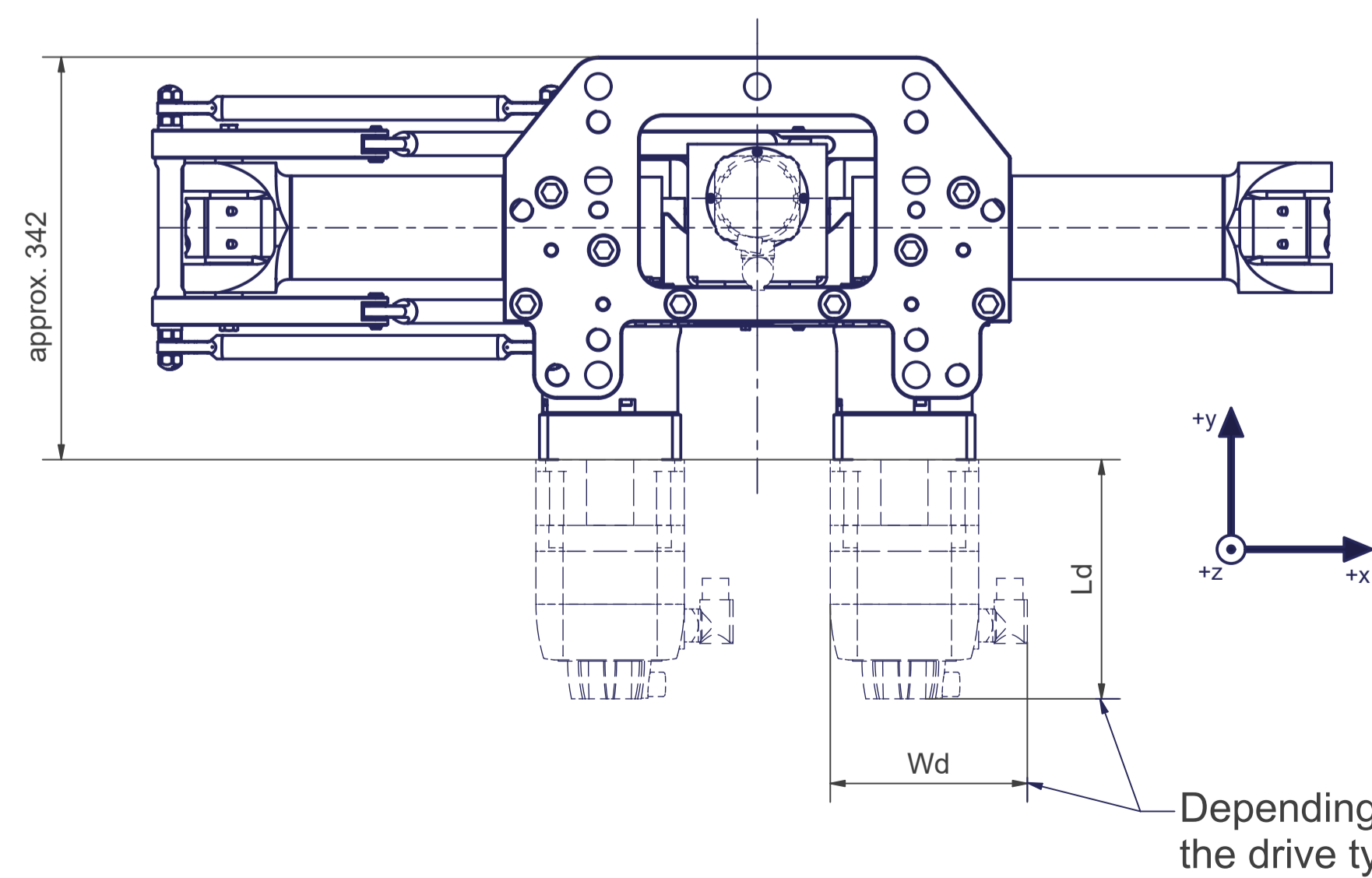
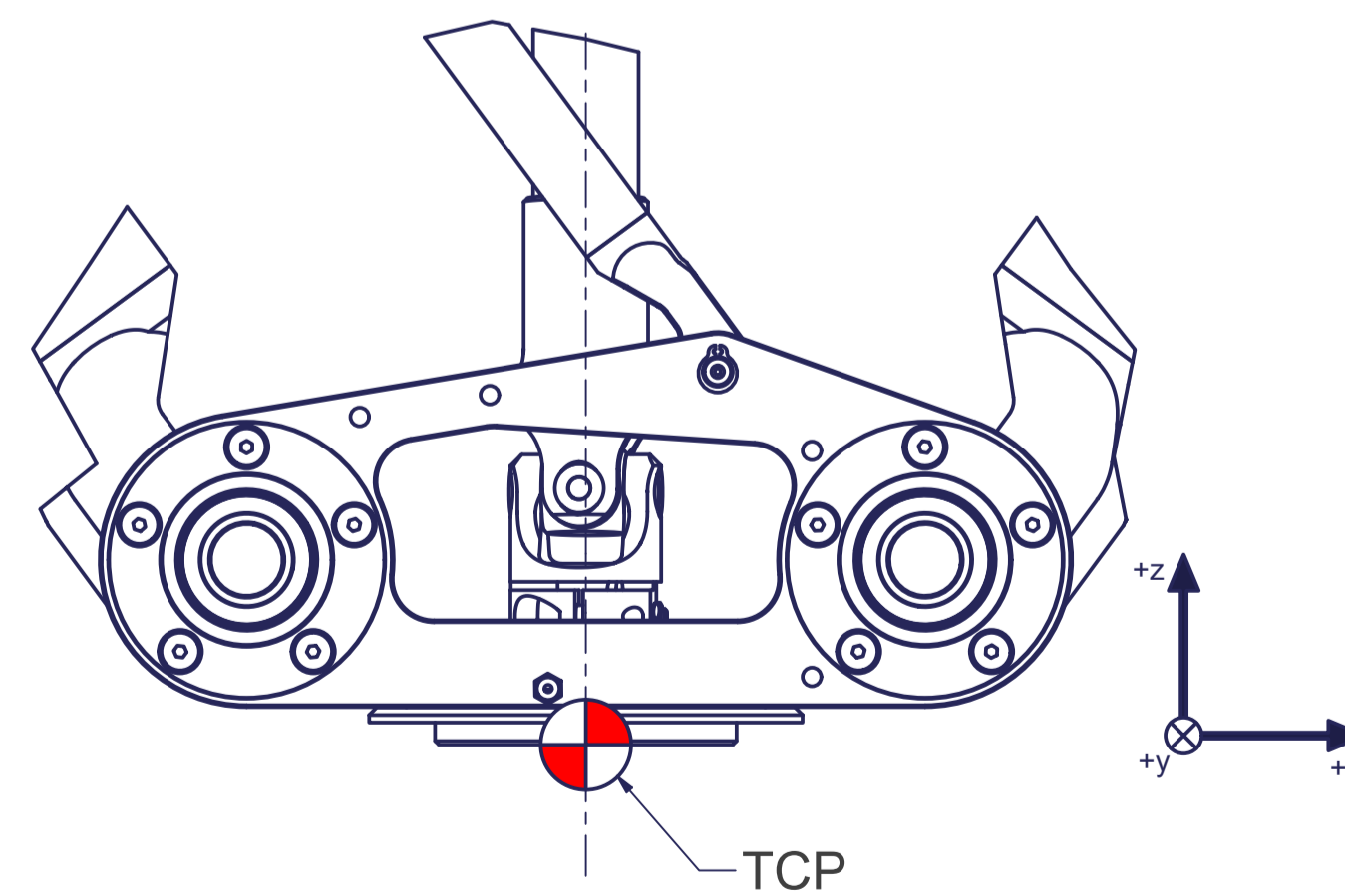
Maximum deflection of the upper arm



Flange diagram according to ISO 9409-1-63-4-M6



Z (1:2)

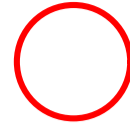
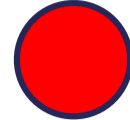
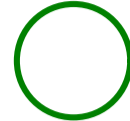


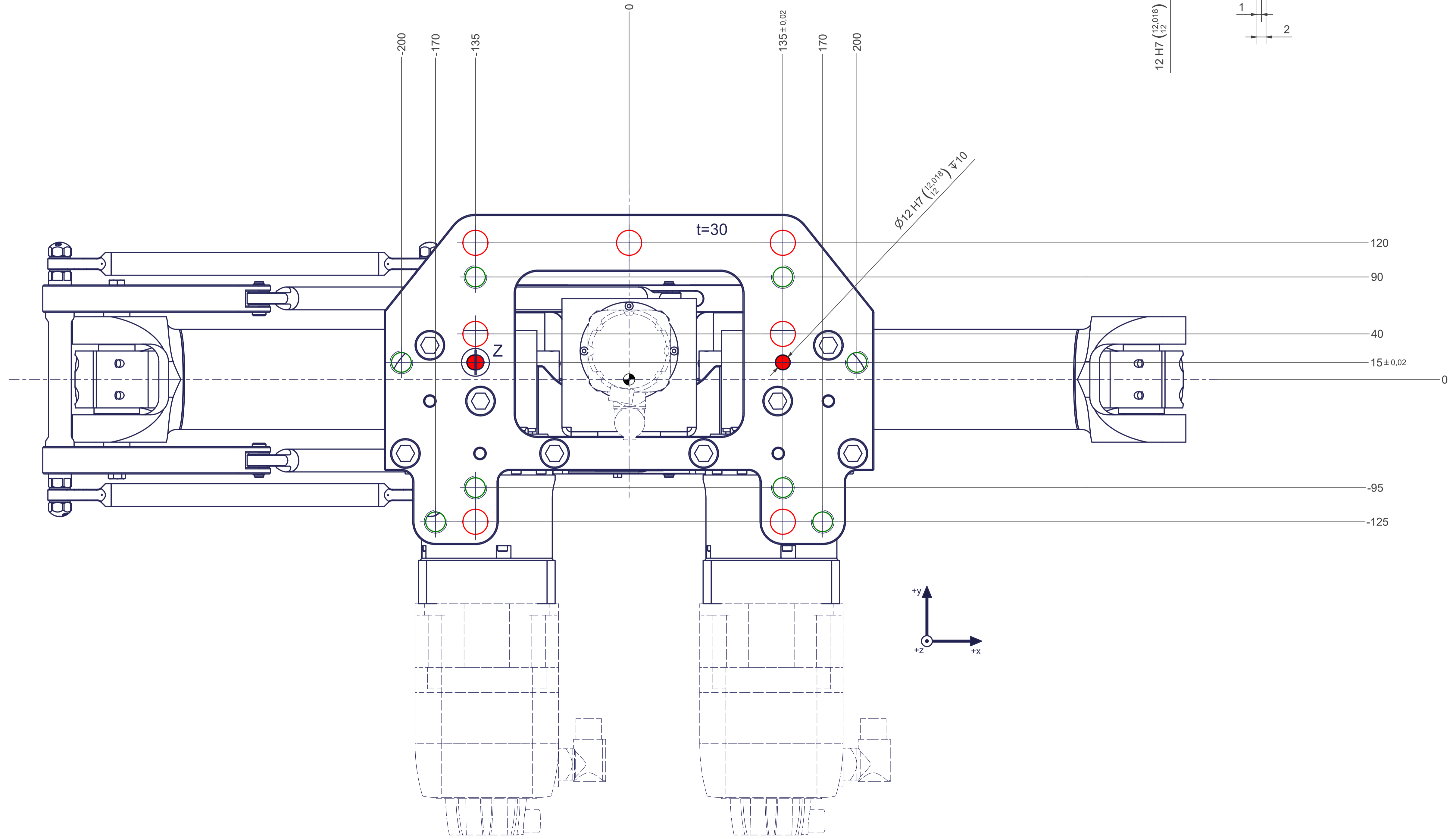
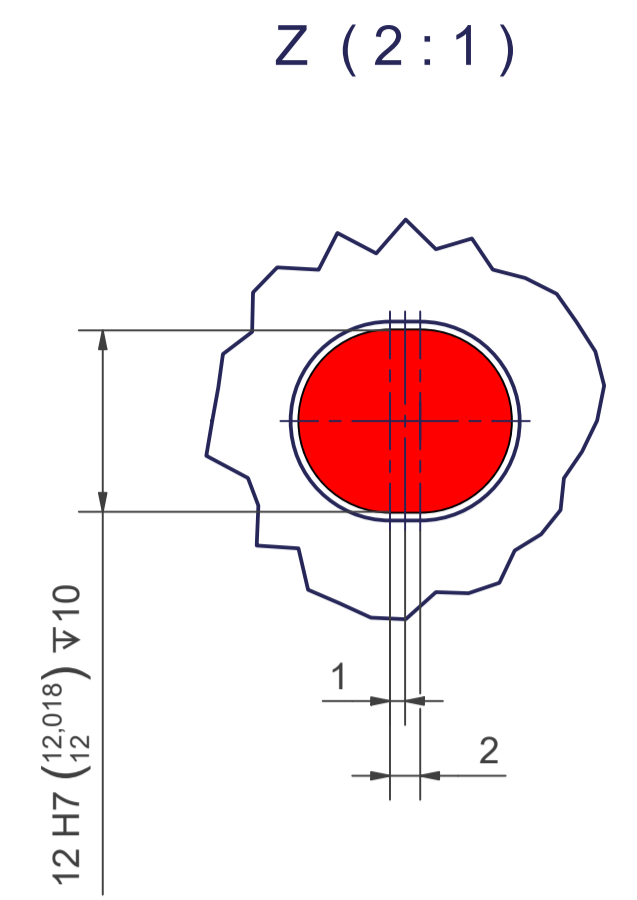
Rev\_01

Connecting dimensions,  
valid for article number A\_00912

m= kg	A	p= bar
proj. storage surface = m²		v̇= l/min
First angle projection	P= kW	
	U= V / Hz / Ph	
	Imax= A	

12 11 10 9 8 7 6 5 4 3 2 1

-  All fastening holes  $\varnothing 22$  for screws M20 (DIN ISO 4014/4017 -8.8) without washers. Fastening holes are coloured red.
-  Drilling holes for locating pins are filled red. Recommended dimensions of locating pins:  $\varnothing 12 \text{ h6 } \left( \begin{smallmatrix} 12 \\ 11,989 \end{smallmatrix} \right)$
-  Thread holes for screws M20 are coloured green. The tightening torque for these screws (strength class 8.8) is 170 Nm.



12 11 10 9 8 7 6 5 4 3 2 1