

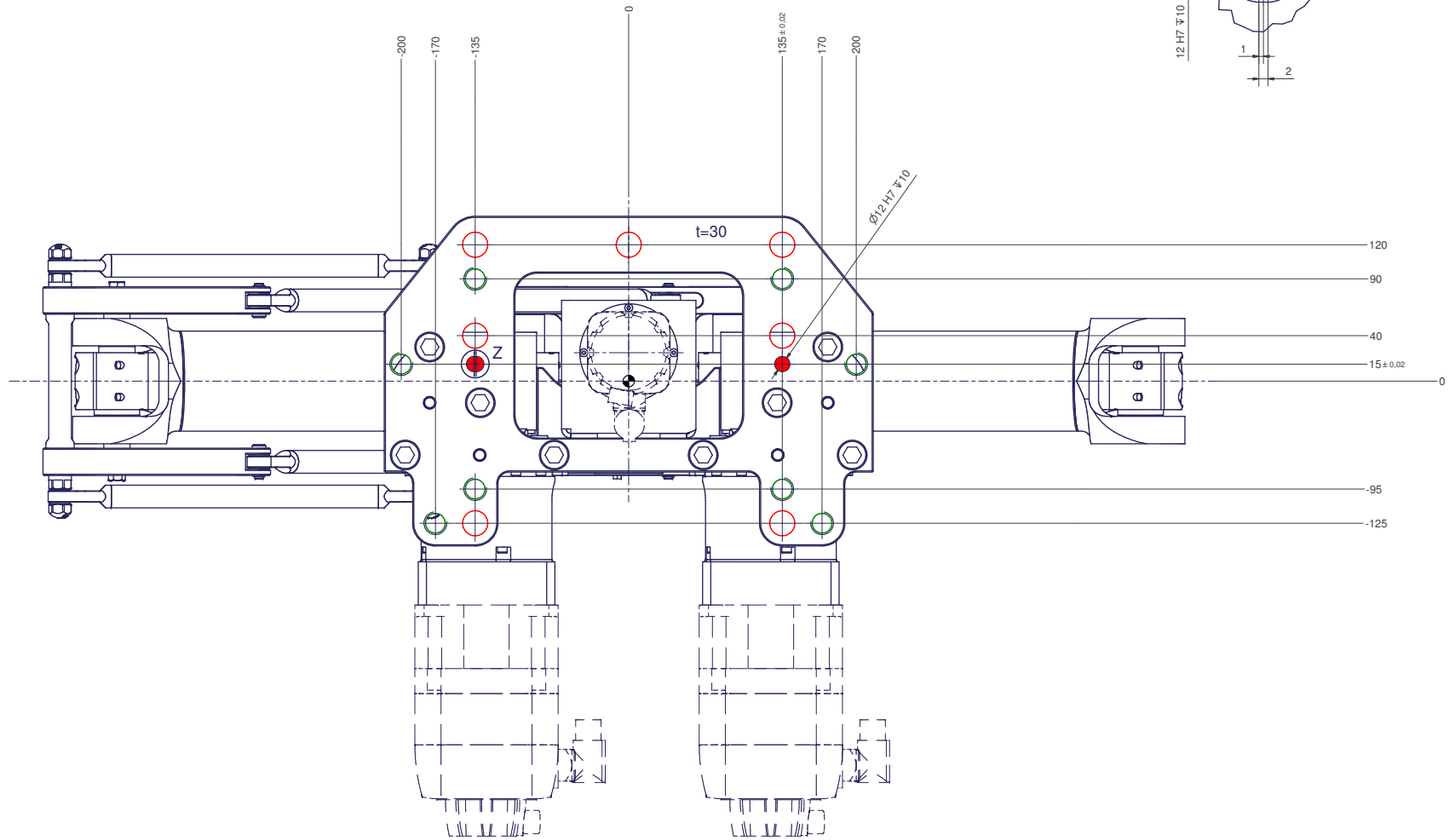
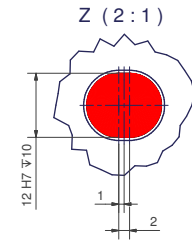
m= kg	A	p= bar
projected storage surface = m ²	P= kW	v= l/min
U= V / Hz / Ph	I _{max} = A	

12 11 10 9 8 7 6 5 4 3 2 1

○ All fastening holes $\varnothing 22$ for screws M20 (DIN ISO 4014/4017 -8.8) without washer.
Fastening holes are coloured red.
The tightening torque for these screws (strength class 8.8) is 360 Nm (in a steel frame).

● Drilling holes for locating pins are filled red.
Recommended dimensions of locating pins: $\varnothing 12$ h6

○ Thread holes for screws M20 are coloured green.
The tightening torque for these screws (strength class 8.8) is 170 Nm.



12 11 10 9 8 7 6 5 4 3 2 1