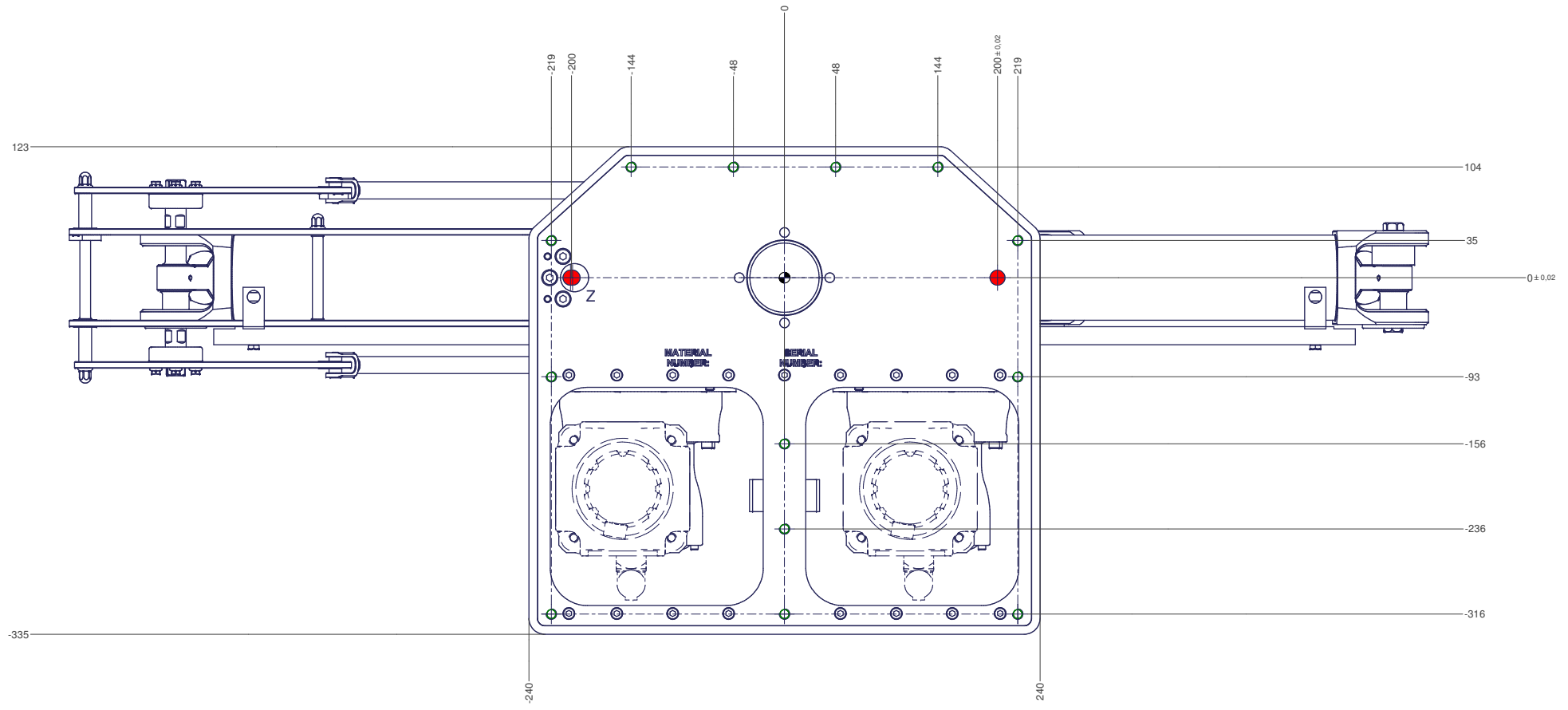
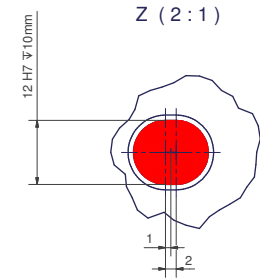


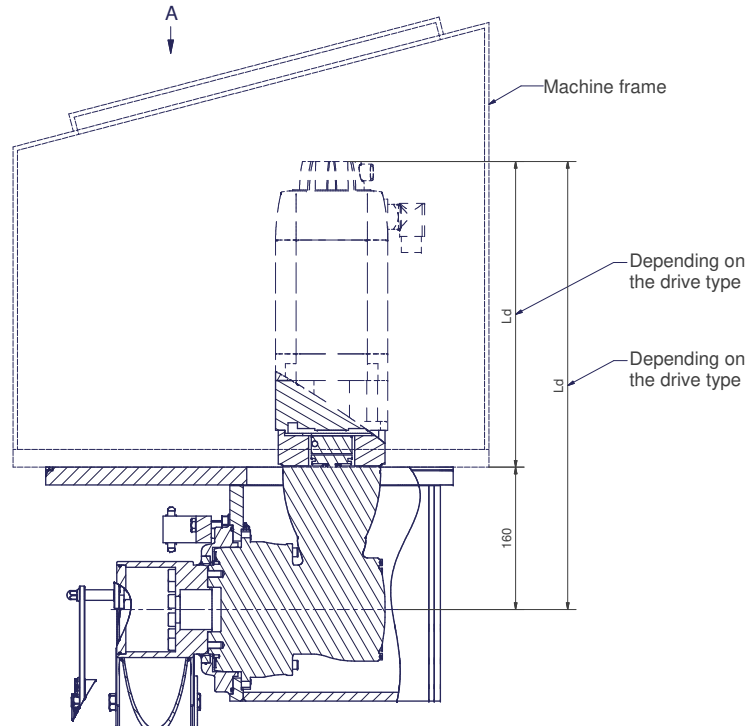
m= kg	A	p= bar
projected storage surface = m ²	P= kW	ψ= l/min
	U= V / Hz / Ph	
	I _{max} = A	

Valid for article number A_00838 & A_00840

● Drilling holes for locating pins are filled red:
Recommended dimensions of locating pins: $\varnothing 12$ h6

○ Thread holes for screws M10 (15 mm deep) are coloured green.
The tightening torque for these screws (strenght class 8.8) is 58 Nm.





Dimensions of the gearbox unit:

