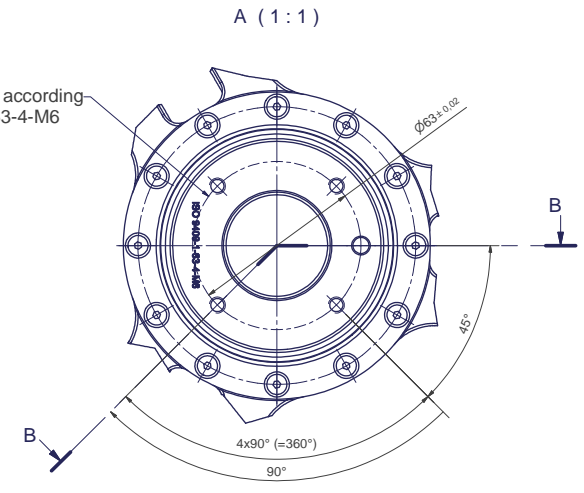
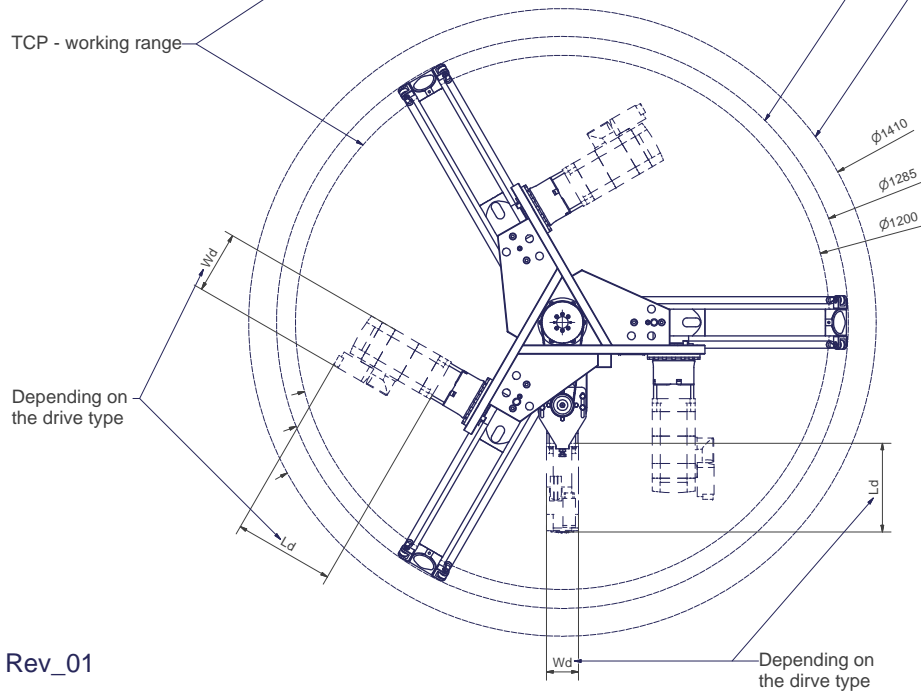


Flange diagram according to ISO 9409-1-63-4-M6



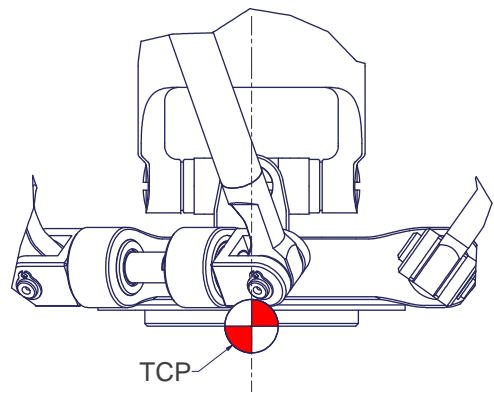
Tool Center Point
TCP (on the plane of the flange)

TCP - working range

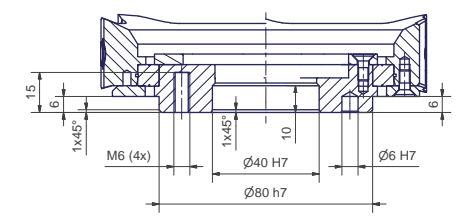


Maximum interference contour

Z (1:1)



B-B

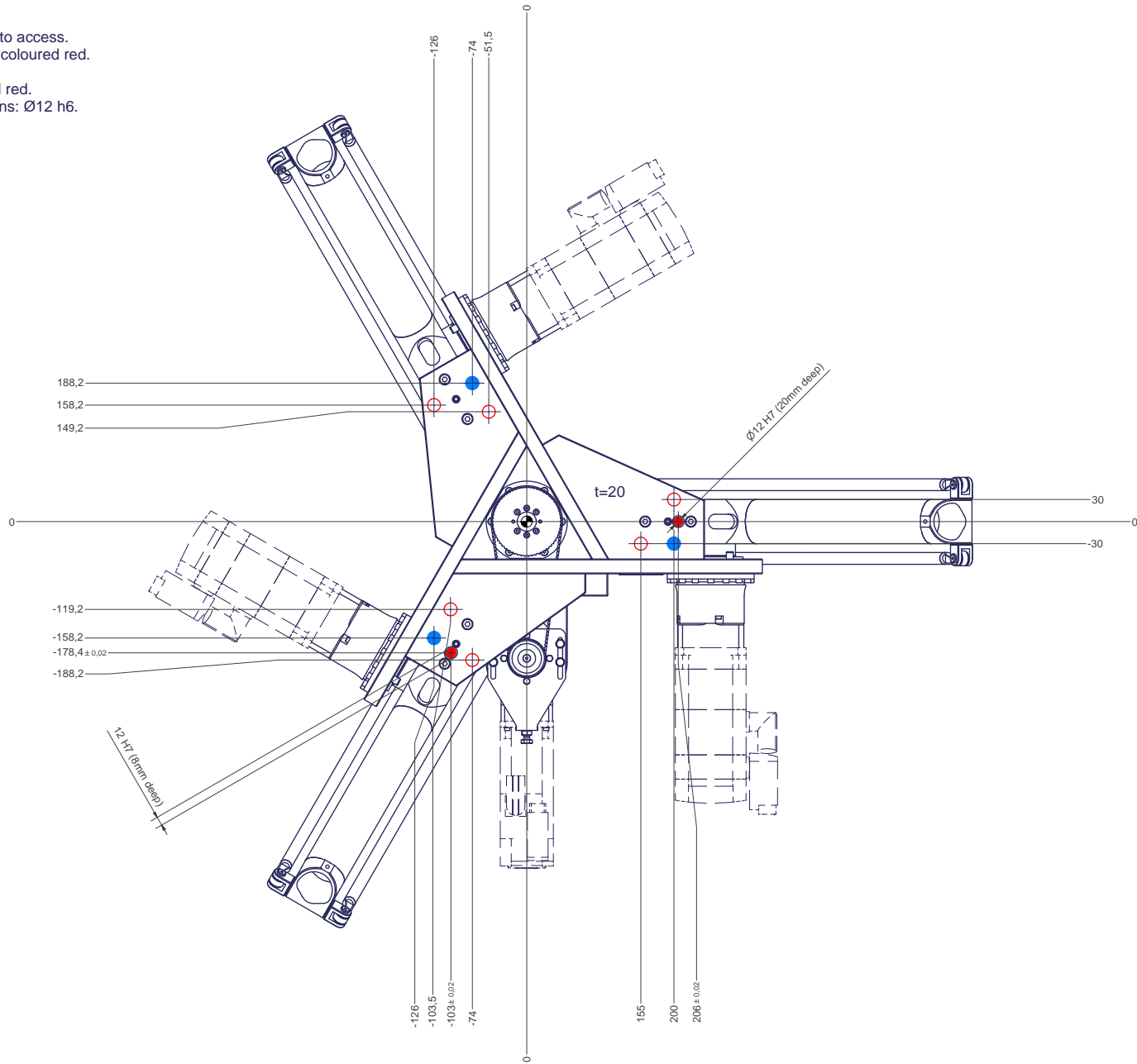


Rev_01

m= kg	A	p= bar
projected storage surface = m ²	P= kW	v= l/min
U= V / Hz / Ph	I _{max} = A	

12 11 10 9 8 7 6 5 4 3 2 1

- All fastening holes $\varnothing 17,5$ mm for screws M16 (DIN ISO 4014/4017 -8.8) without washers. Fastening holes are coloured red.
- Fastening holes filled blue are difficult to access. We recommend using fastening holes coloured red.
- Drilling holes for locating pins are filled red. Recommend dimensions of locating pins: $\varnothing 12$ h6.



12 11 10 9 8 7 6 5 4 3 2 1