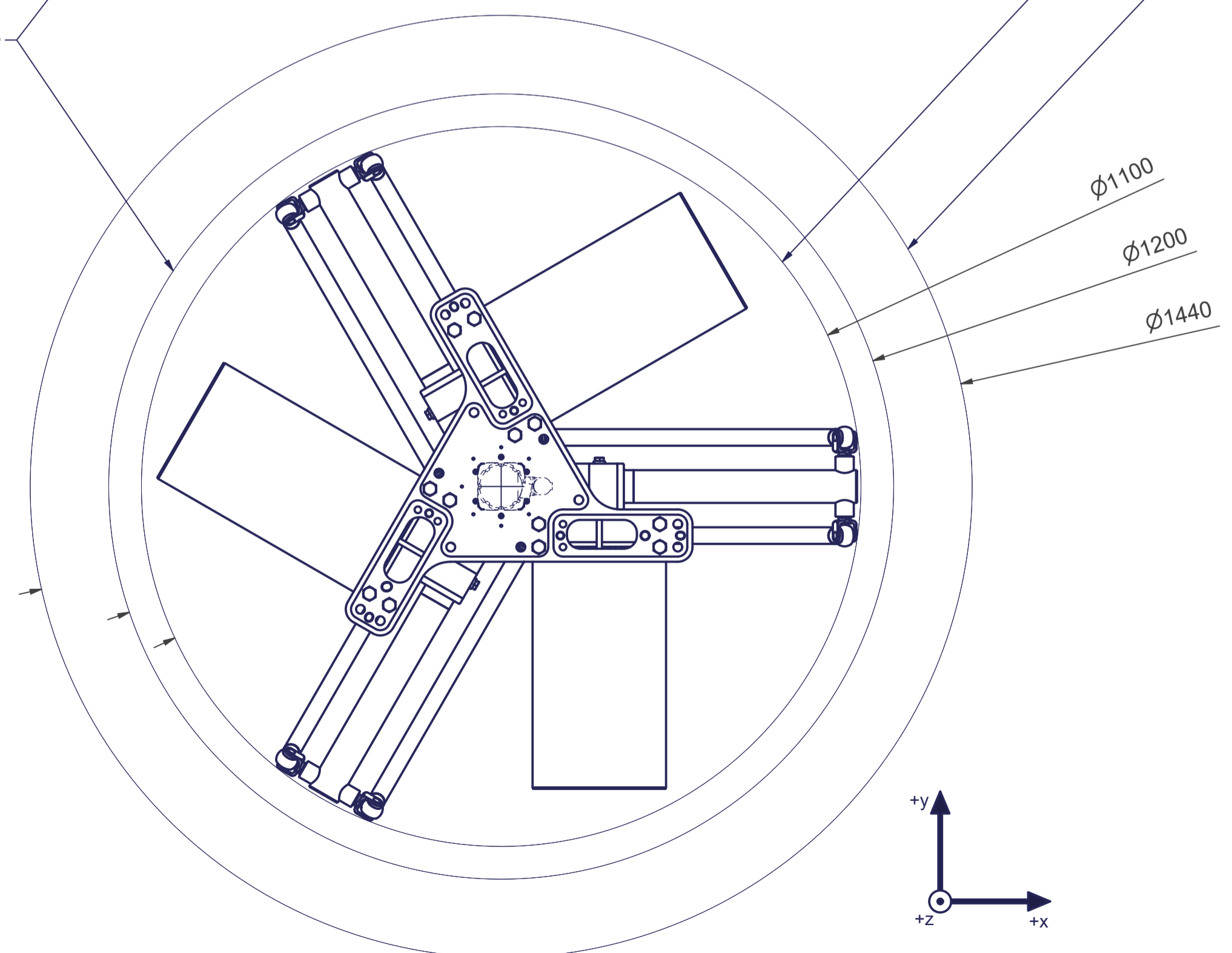


Tool Center Point
TCP (on the plane of the flange)

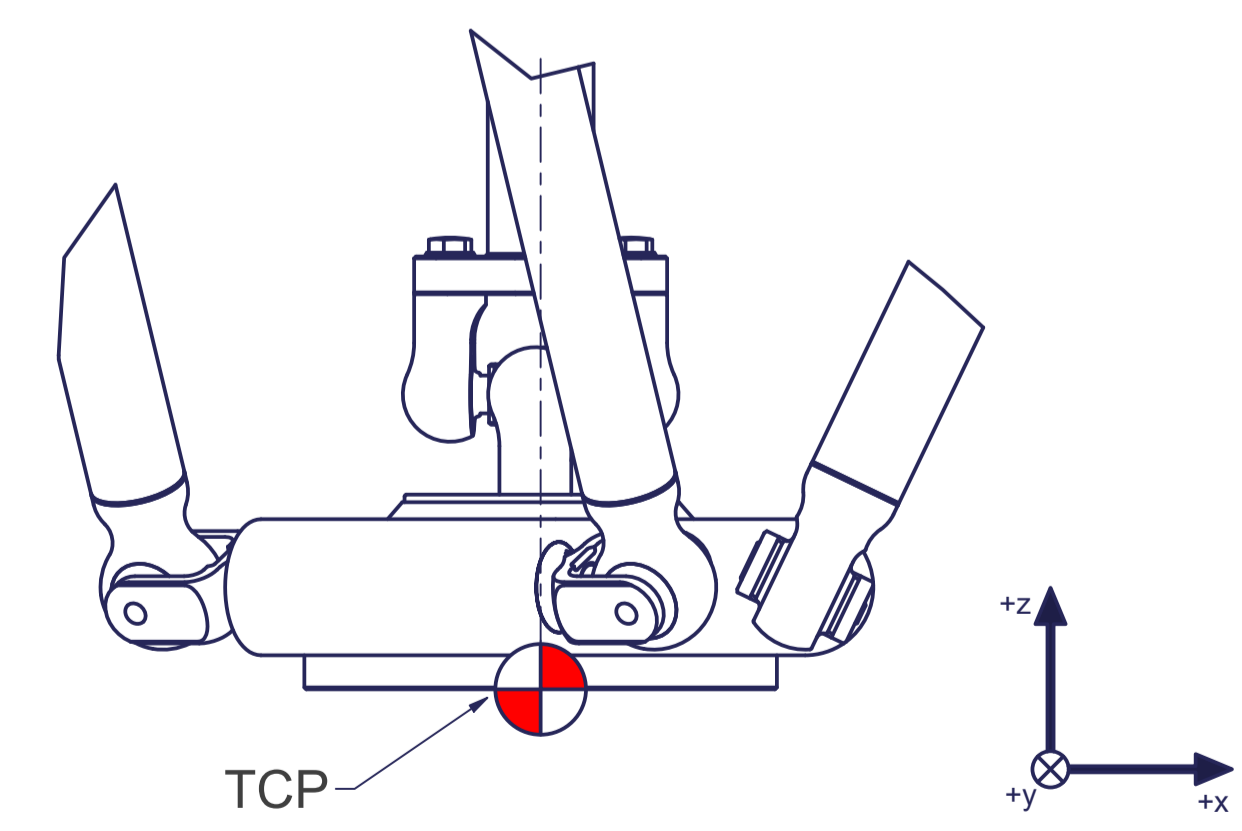
TCP - working range

Interference contour from machine body

Maximum interference contour



Z (1:2)



m= kg	A	p= bar
proj. storage surface = m²		v̇= l/min
First angle projection	P= kW	
	U= V / Hz / Ph	
	Imax= A	

Connecting dimensions, valid for article number A_00710

12

11

10

9

8

7

6

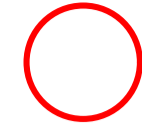
5

4

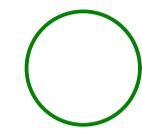
3

2

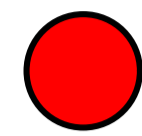
1



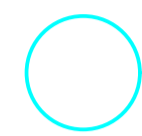
All fastening holes $\varnothing 13,5$ for screws M12 (DIN ISO 4014/4017 -8.8) without washers. Fastening holes are coloured red.



Thread holes for screws M12 are coloured green. The tightening torque for these screws (strength class 8.8) is 117 Nm.

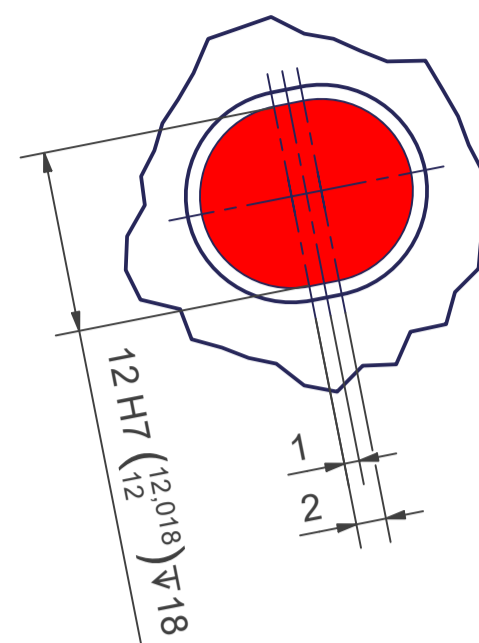


Drilling holes for locating pins are filled red.

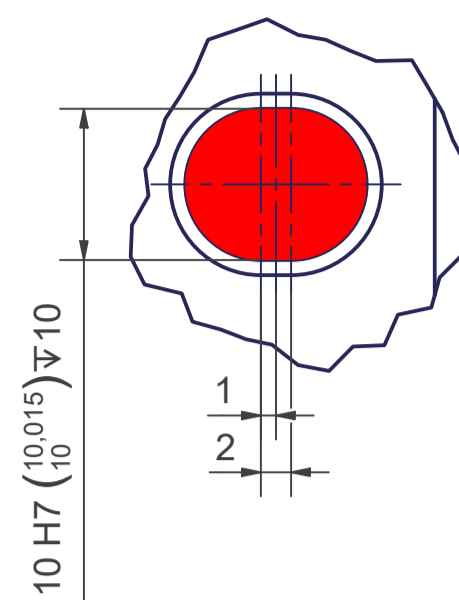


Openings for the cable management are coloured turquoise.

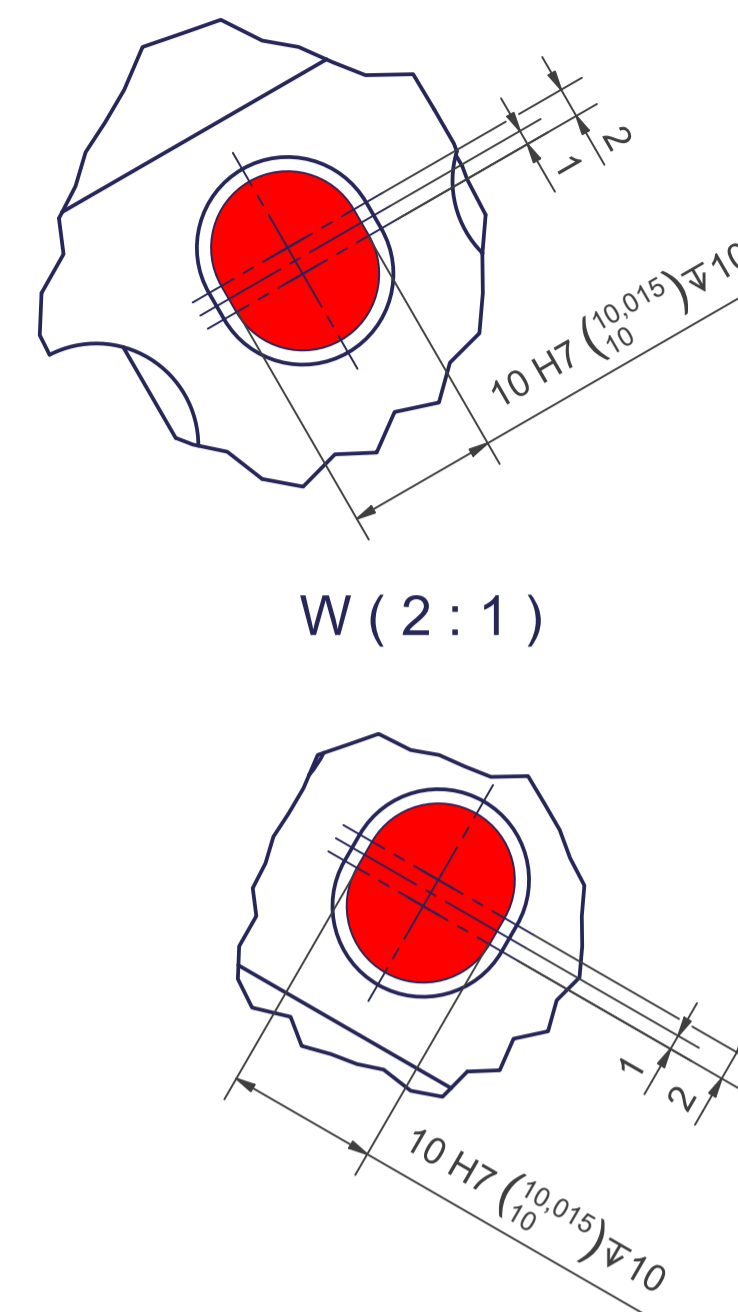
Z (2:1)



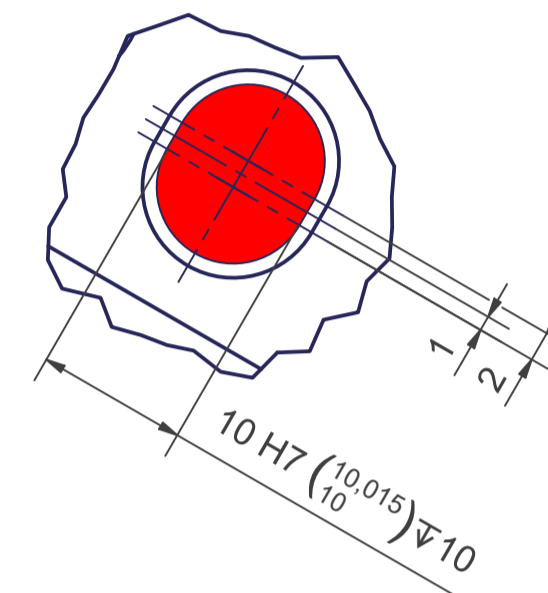
Y (2:1)



X (2:1)



W (2:1)



280,1
274,79 ± 0,02
262,6

113

20,3

-35,6
-40,88 ± 0,02
-53,1
-92,5

-153,03 ± 0,02
-187,6
-199,79 ± 0,02
-205,1

95,1
85,2
72,05 ± 0,02
54,9
41,6

2,5
19,7 ± 0,02
32,9
65,1

128,1
115,88 ± 0,02
110,6

72,2

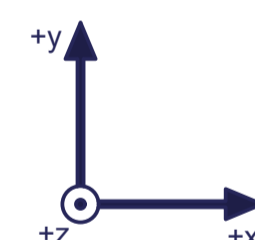
-20,5
-57,5
-75 ± 0,02
-92,5

$\varnothing 10 H7 (10/10) \nabla 10$

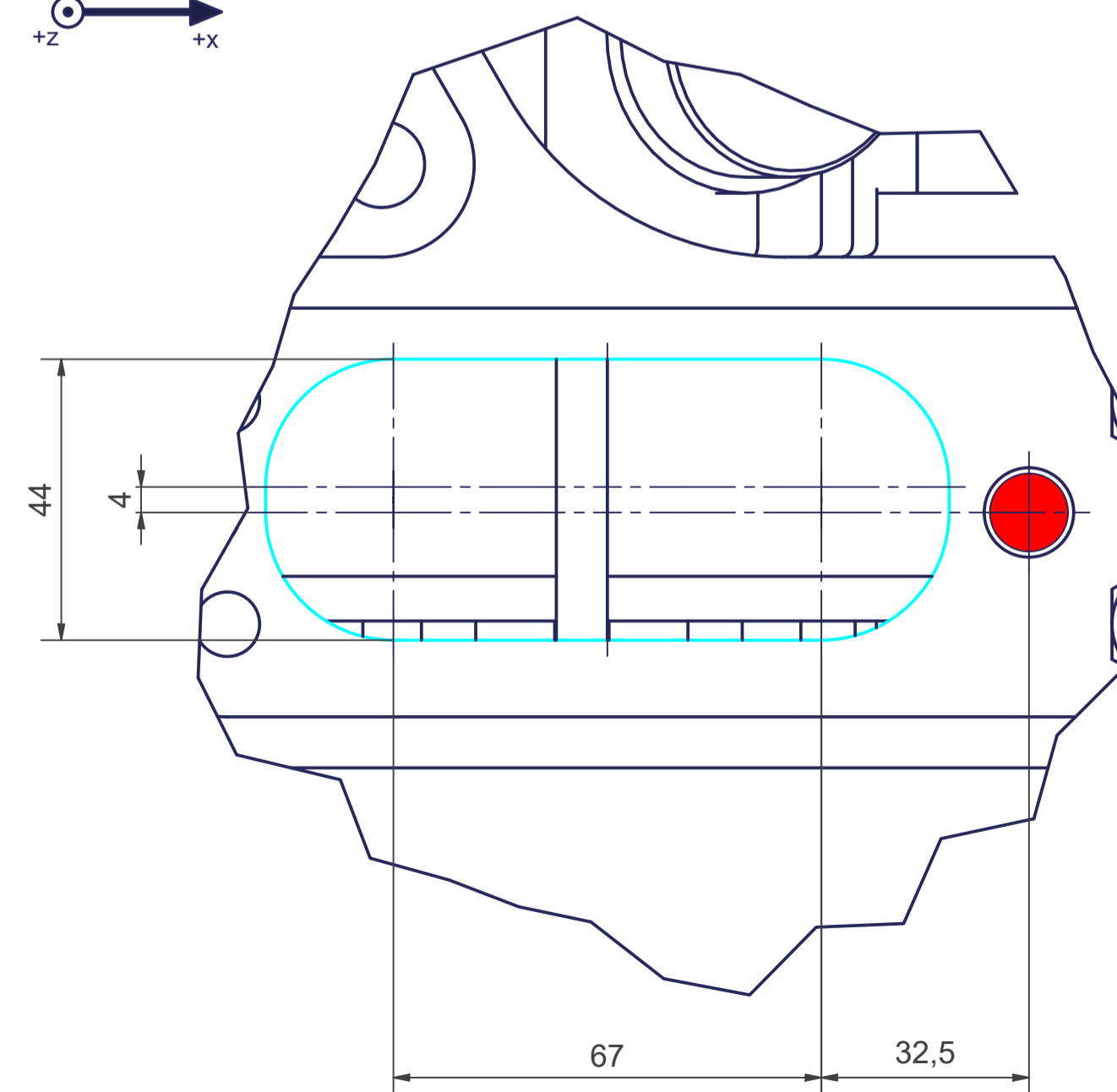
t=18

$\varnothing 10 H7 (10/10) \nabla 10$

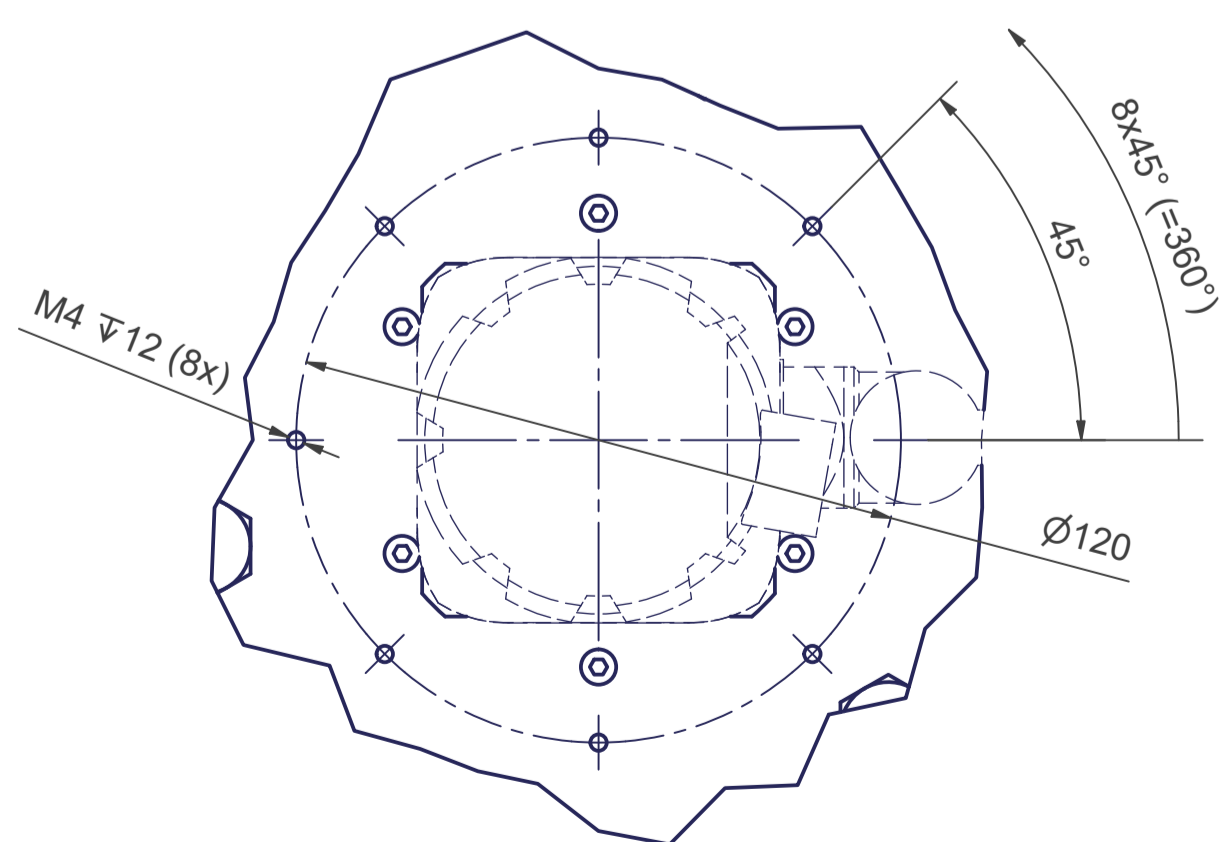
$\varnothing 12 H7 (12/12) \nabla 18$



V (1:1)



U (2:3)



-215,1

-201,95 ± 0,02

-184,8

-174,95 ± 0,02

-127,4

-110,2 ± 0,02

-97

-77,1

0

30

90,5 ± 0,02

94,5

118,6

220 ± 0,02

270

274

12

11

10

9

8

7

6

5

4

3

2

1