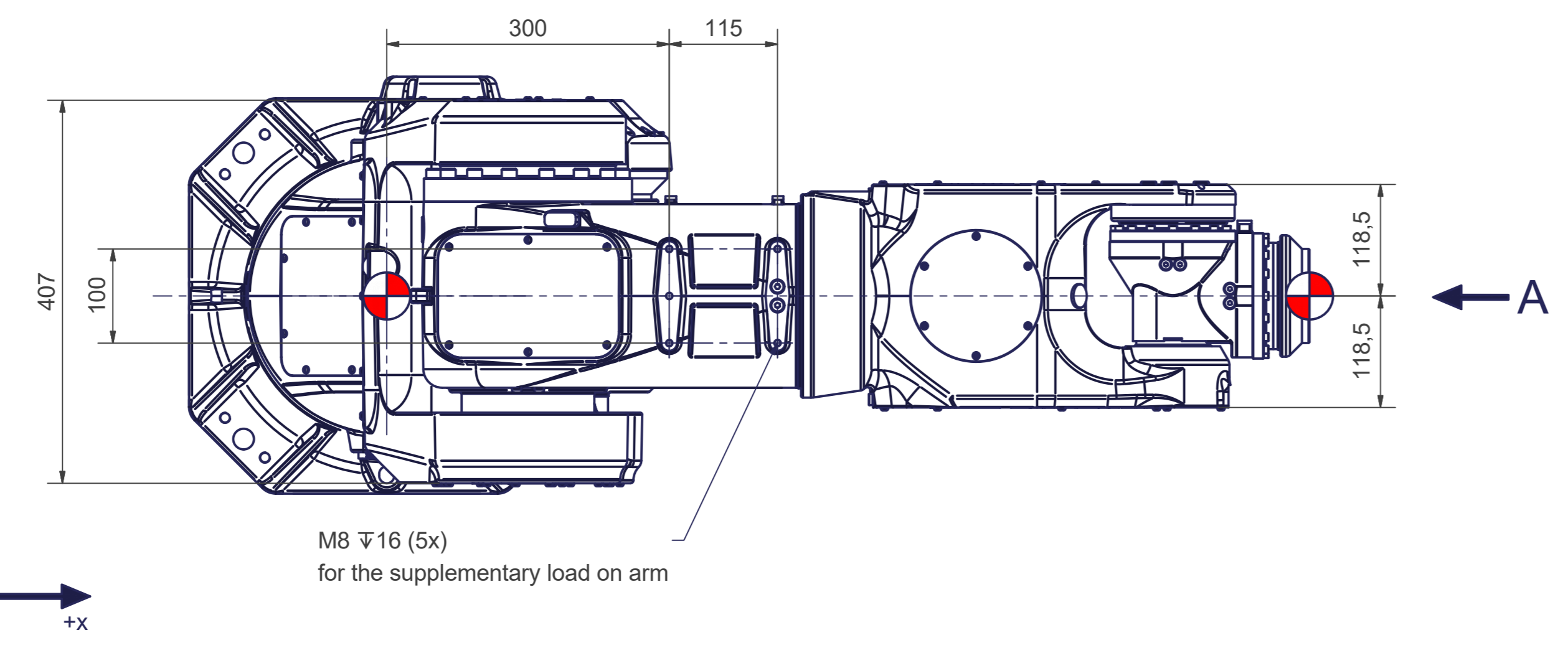


articc.m6-1665-30kg	
Axes	6
Payload (on TCP)	30 kg
Supplementary load on arm	10 kg
Reach	1665 mm
Mounting position	angle, ceiling, floor, wall

Motion	
Axes	Range fully usable
A1	± 185°
A2	- 69° / + 148°
A3	- 160° / + 67°
A4	± 185°
A5	± 120°
A6	± 360°

More information can be found in the document "calibration dimensions"



Connecting dimensions, valid for article number: AT_00026-01

kg	kg	A	bar
m ²	m ²	kw	mm
First angle projection	U=	V / Hz / Ph	
	Imax=		