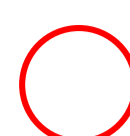
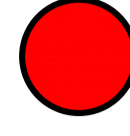


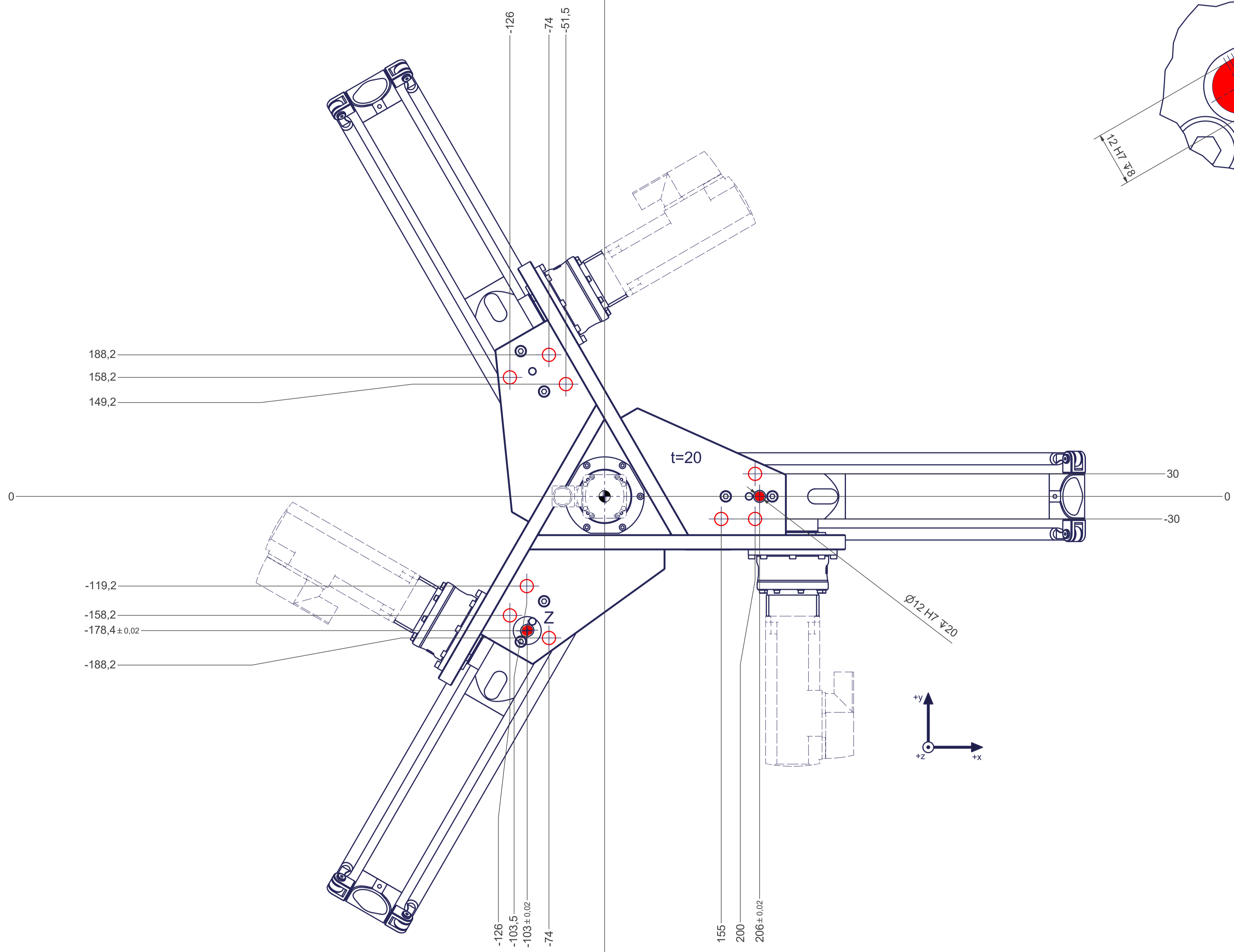
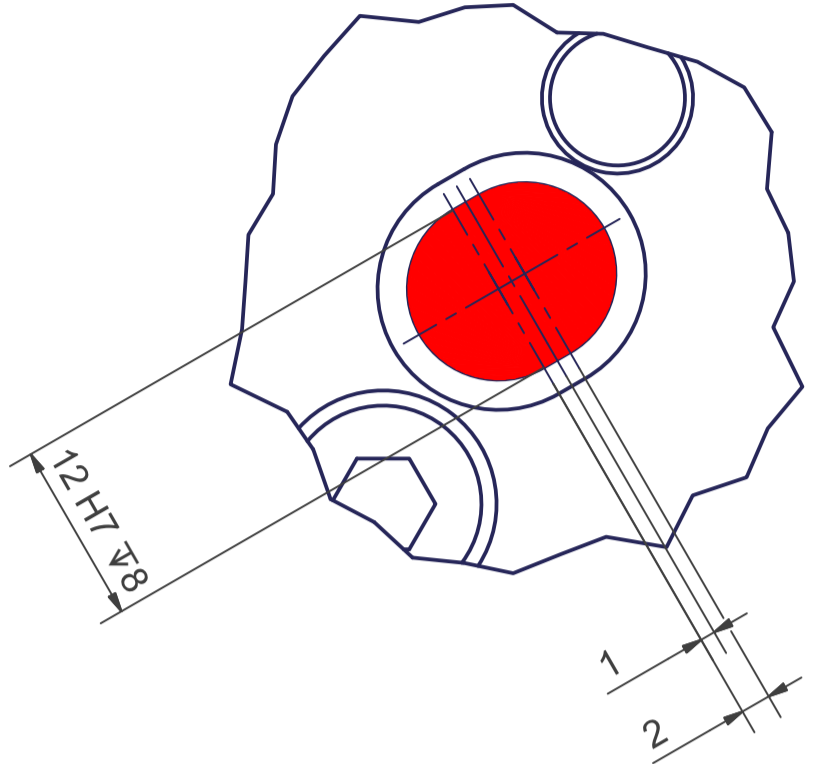
Connecting dimensions, valid for article number A\_00042-04

m= kg	A	p= bar
proj. storage surface = m <sup>2</sup>		$\dot{V}$ = l/min
First angle projection	P= kW	
	U= V / Hz / Ph	
	I <sub>max</sub> = A	

12 11 10 9 8 7 6 5 4 3 2 1

-  All fastening holes  $\varnothing 17,5$  mm for screws M16 (DIN ISO 4014/4017 -8.8) without washers. Fastening holes are coloured red.
-  Drilling holes for locating pins are filled red. Recommended dimensions of locating pins:  $\varnothing 12$  h6

Z (2:1)



12 11 10 9 8 7 6 5 4 3 2 1