

Depending on the drive type

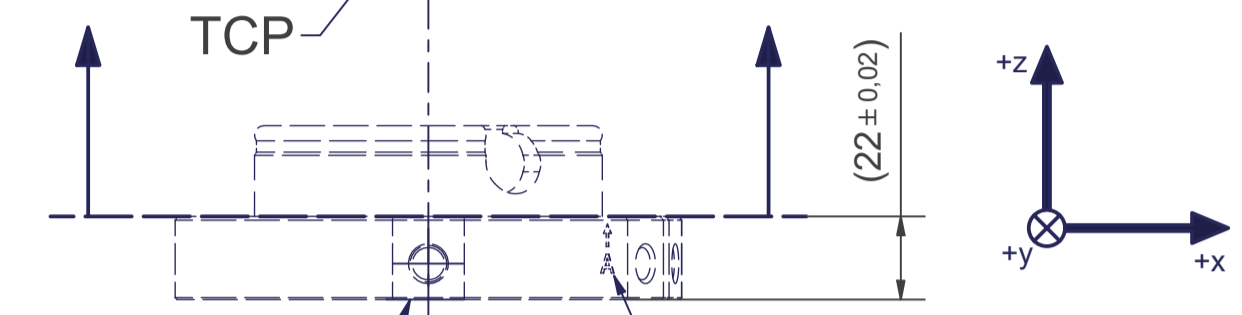
Maximum deflection of the upper arm

Z (1:2)

A (1:1)

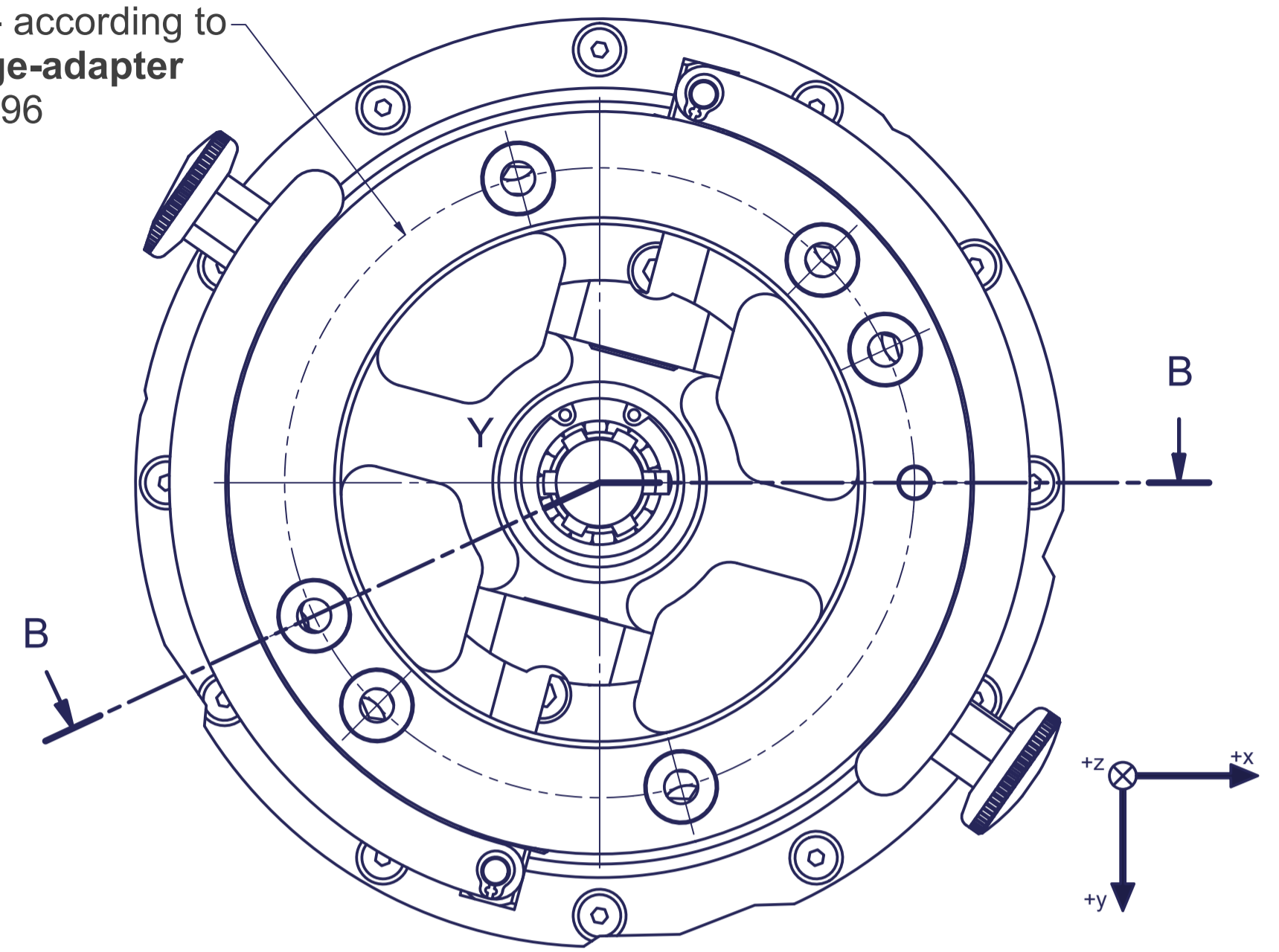
Flange diagram - according to **Tool-side change-adapter** MT_BGR00018996

Robot-side change-head



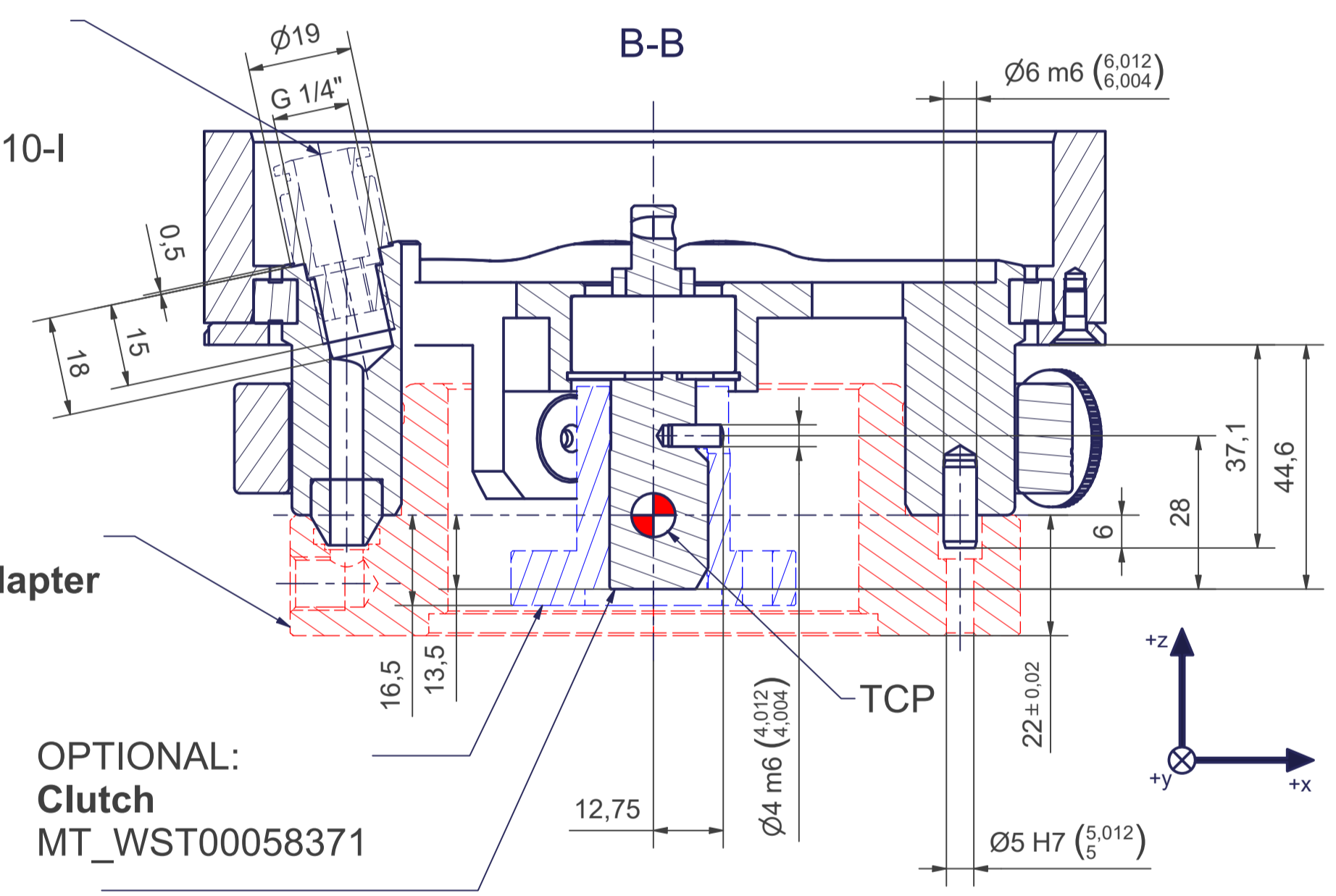
OPTIONAL: **Tool-side change-adapter** MT_BGR00018996

The mark "A" and "B" of the **Tool-side change-adapter** must fit with the mark "A" and "B" on the **Robot-side change-head**.



Fitting - (not included) for example: Festo, Push-in fitting Product name: QS-1/4-10-I Part number: 153018

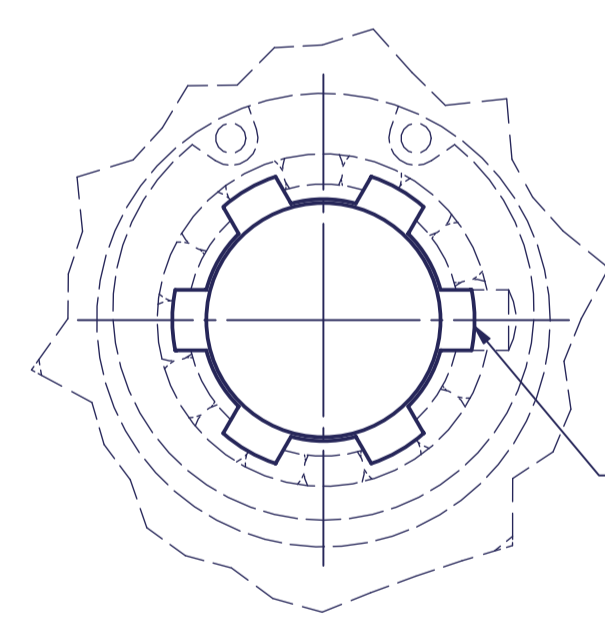
B-B



OPTIONAL: **Tool-side change-adapter** MT_BGR00018996

OPTIONAL: **Clutch** MT_WST00058371

Y (2:1)



Splined Shaft - Similar to DIN ISO 14 - KW 16 x 20 according to **Clutch** (MT_WST00058371)

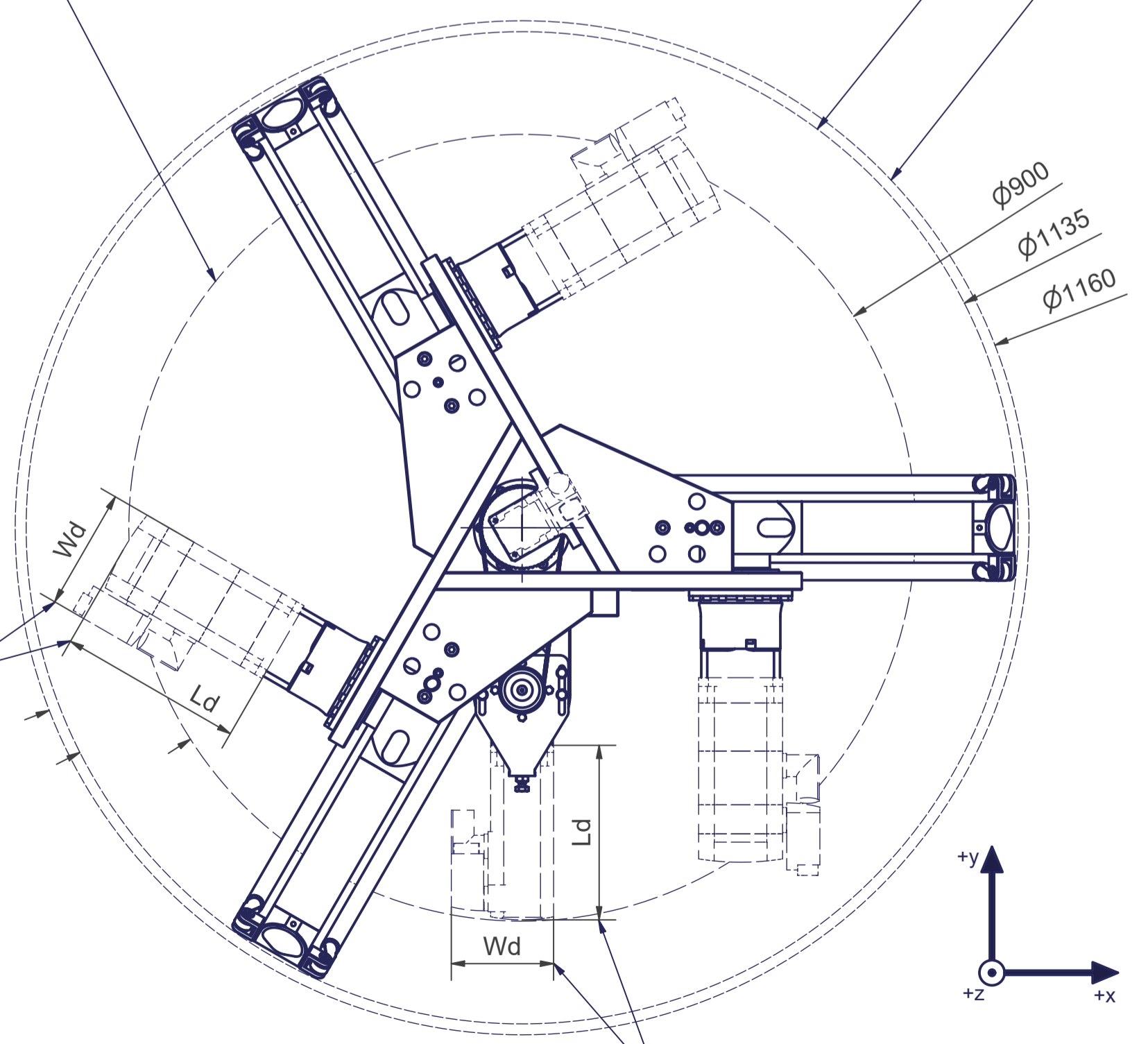
Interference contour from machine body

Maximum interference contour

Interference contour for opening and closing the **Robot-side change-head**

Tool Center Point TCP (on the plane of the flange)

TCP - working range



Connecting dimensions, valid for article number A_00804-01-TS1-ATS

OPTIONAL:

Tool-side change-adapter MT_BGR00018996

Clutch MT_WST00058371

m= kg	A	p= bar
proj. storage surface = m²		v̇= l/min
First angle projection	P= kW	
	U= V / Hz / Ph	
	Imax= A	

12

11

10

9

8

7

6

5

4

3

2

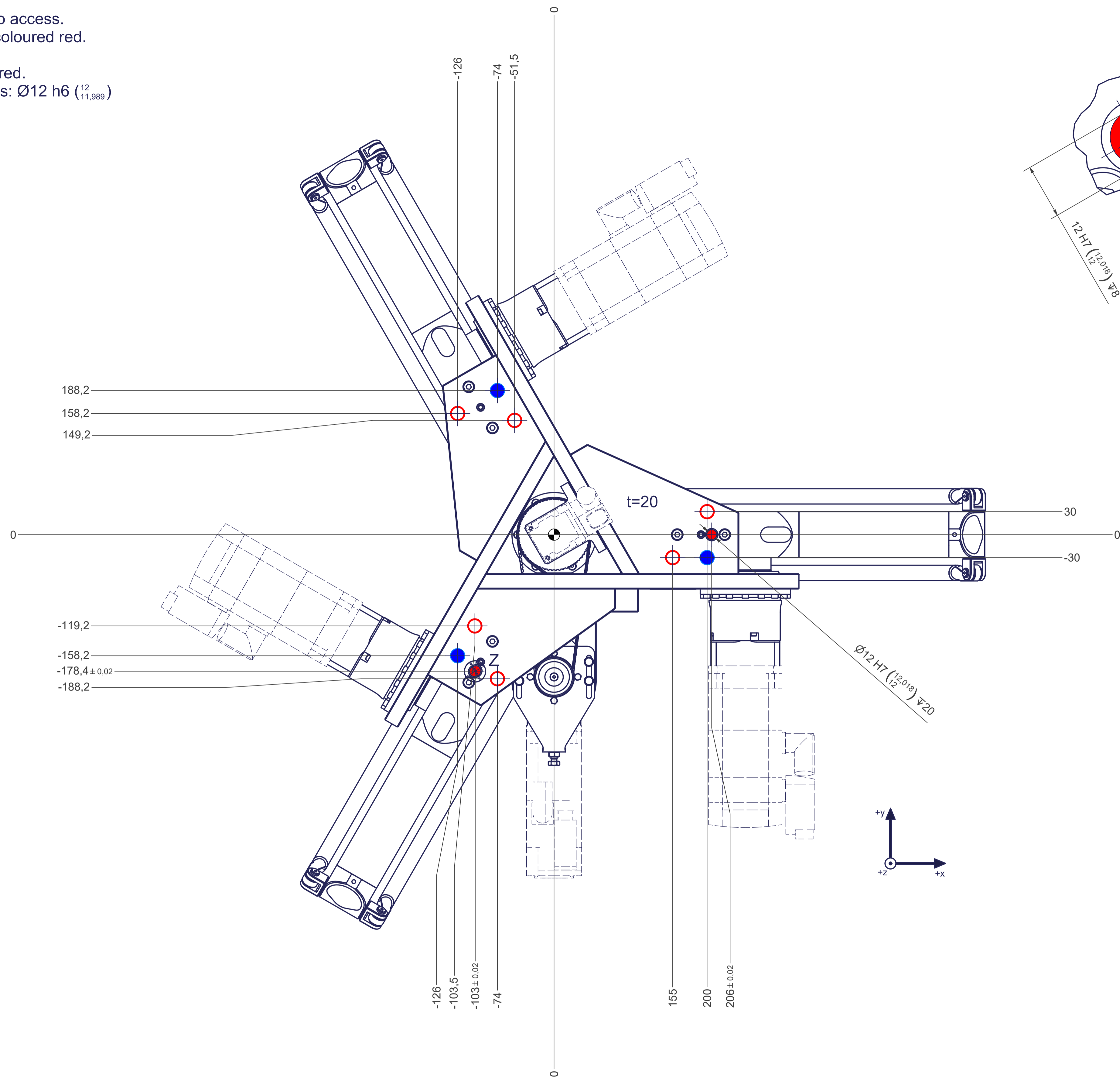
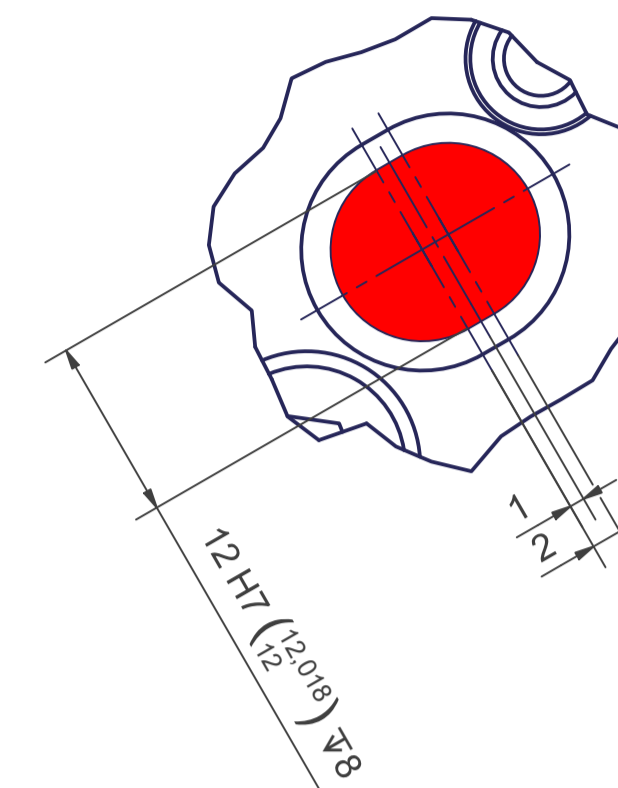
1

○ All fastening holes Ø17,5 mm for screws M16 (DIN ISO 4014/4017 -8.8) without washers. Fastening holes are coloured red.

● Fastening holes filled blue are difficult to access. We recommend using fastening holes coloured red.

● Drilling holes for locating pins are filled red. Recommend dimensions of locating pins: Ø12 h6 (¹²/_{11,985})

Z (2:1)



12

11

10

9

8

7

6

5

4

3

2

1