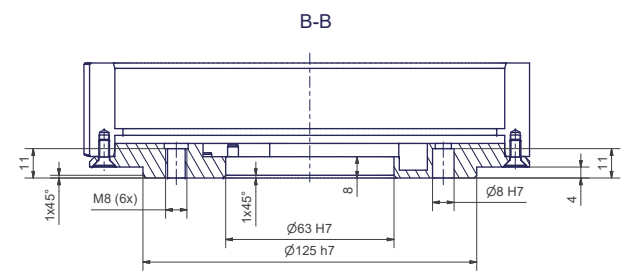
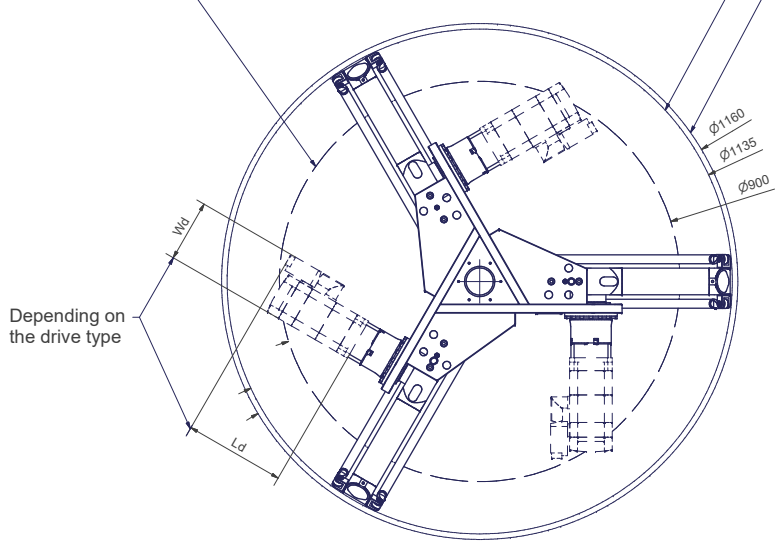
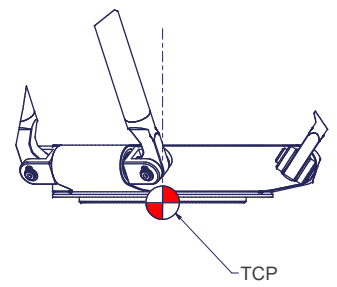


Interference contour from machine body

Maximum interference contour



Z (1:2)



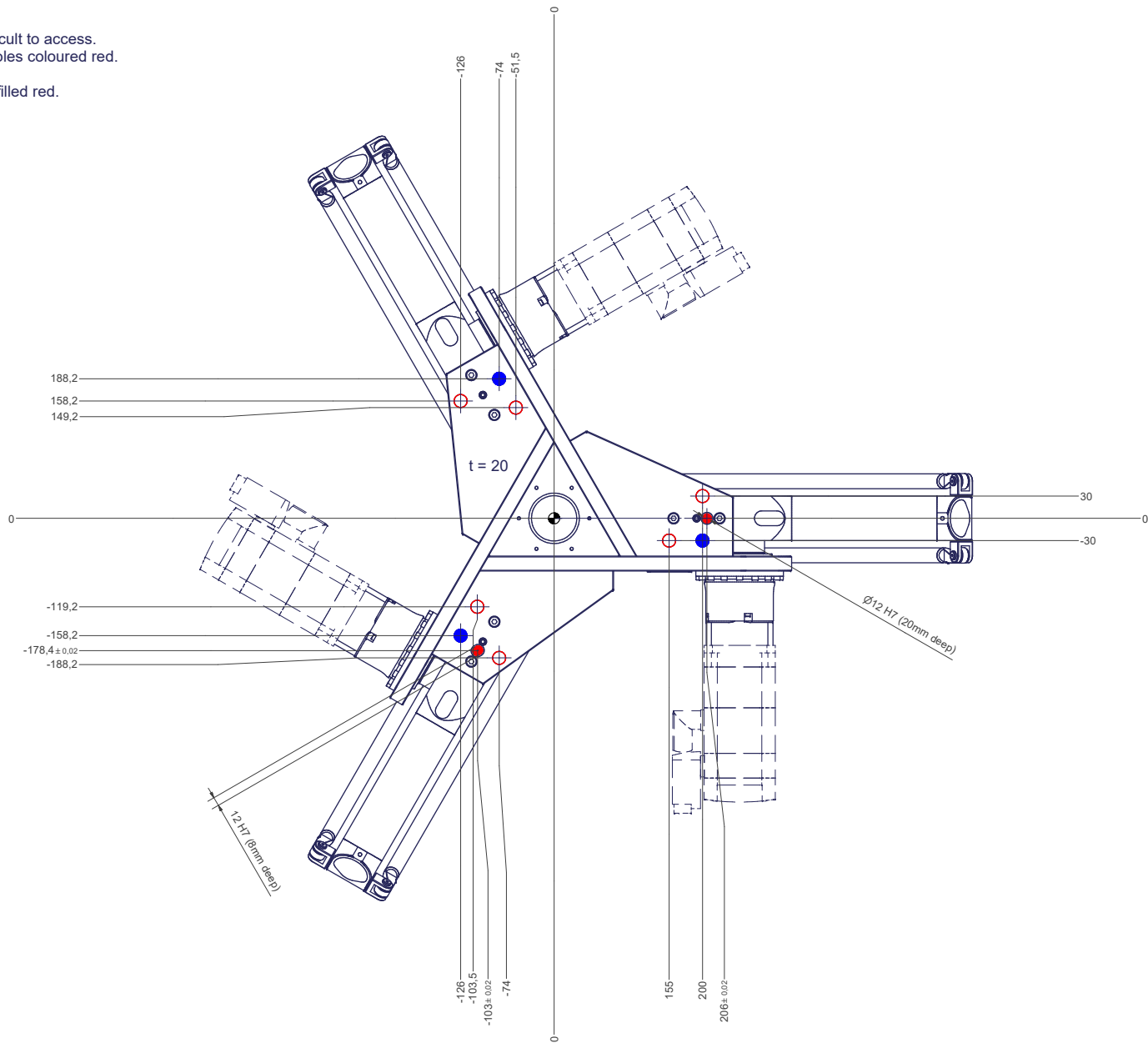
m= kg	A	p= bar
projected storage surface = m <sup>2</sup>	P= kW	v= l/min
	U= V / Hz / Ph	
	I <sub>max</sub> = A	

12 11 10 9 8 7 6 5 4 3 2 1

○ All fastening holes Ø17,5 mm for screws M16 (DIN ISO 4014/4017 -8.8) without washers. Fastening holes are coloured red.

● Fastening holes filled blue are difficult to access. We recommend using fastening holes coloured red.

● Drilling holes for locating pins are filled red.



12 11 10 9 8 7 6 5 4 3 2 1