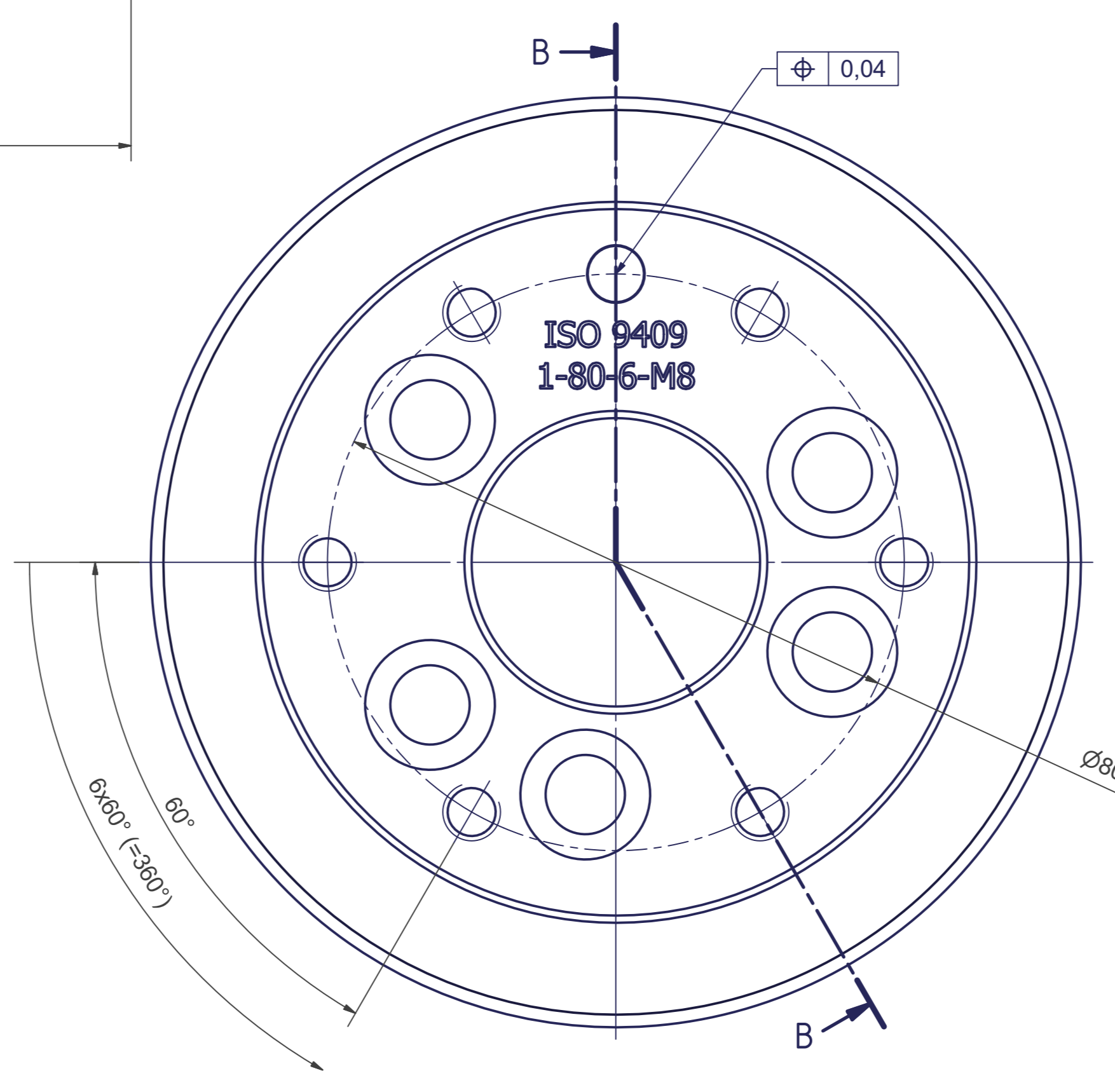
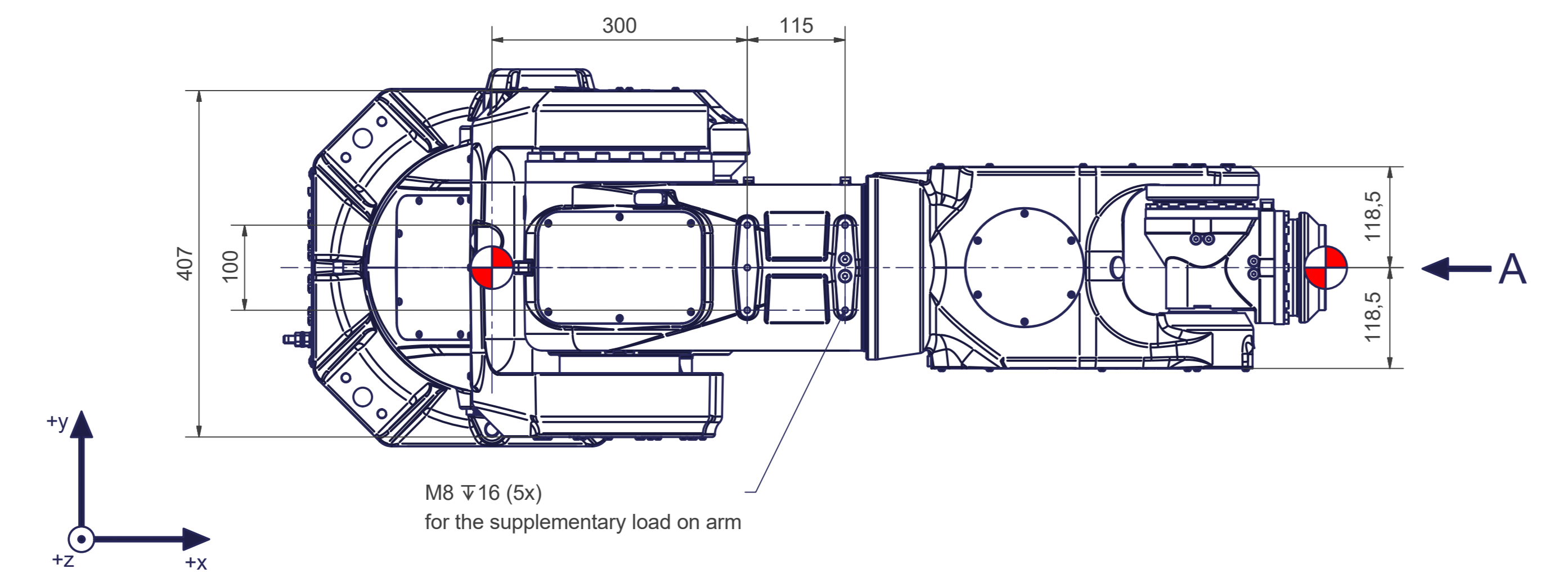
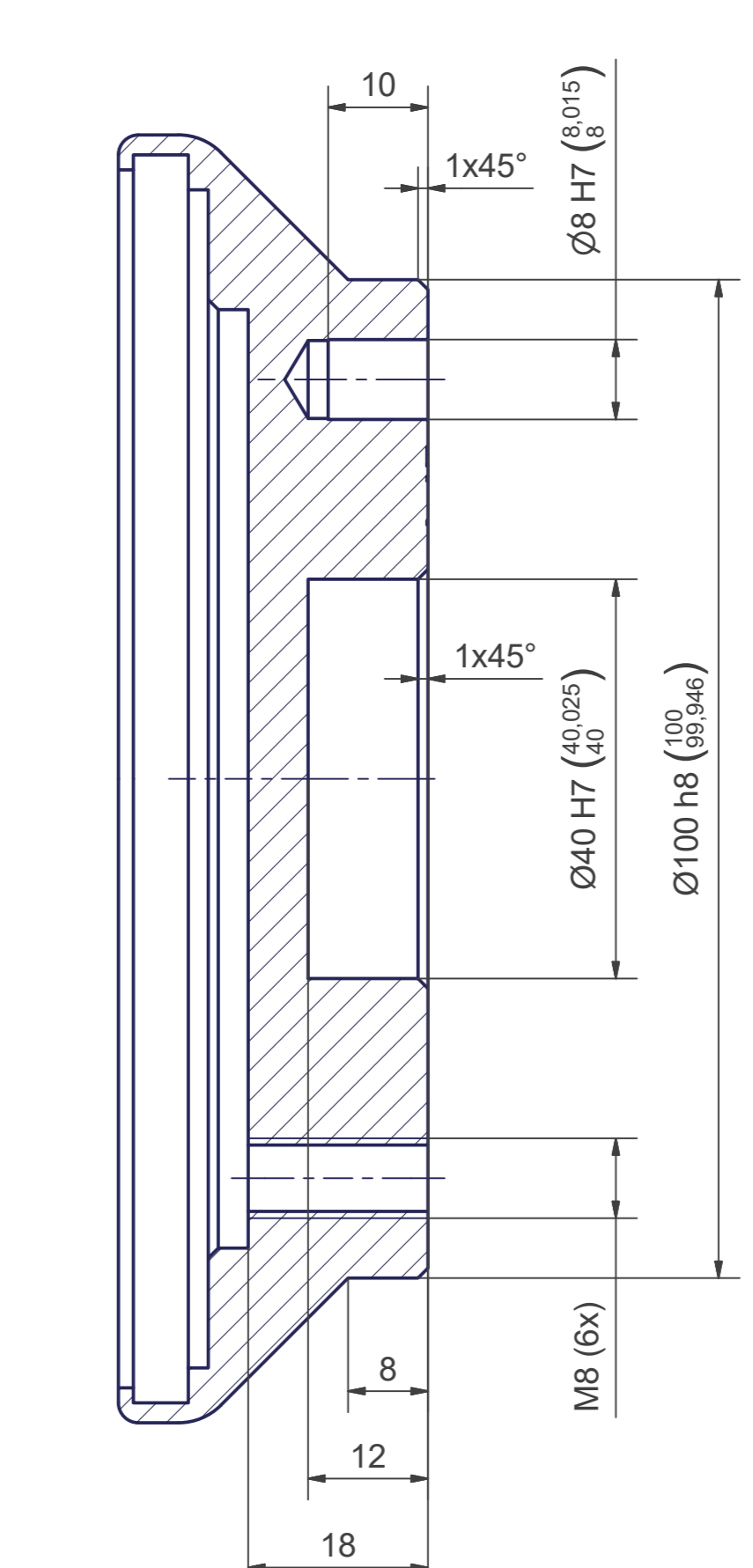


A (3:2) Tool mounting flange A6



B-B



articc.m6-1665-30kg		Motion	
Axes	6	Axes	Range fully usable
Payload (on TCP)	30 kg	A1	$\pm 185^\circ$
Supplementary load on arm	10 kg	A2	$-69^\circ / +148^\circ$
Reach	1665 mm	A3	$-160^\circ / +67^\circ$
Mounting position	angle, ceiling, floor, wall	A4	$\pm 185^\circ$
		A5	$\pm 120^\circ$
		A6	$\pm 360^\circ$

More information can be found in the document "calibration dimensions"

Connecting dimensions, valid for article number: AT_00026

